

REV. Status

REVISION -
10/22/99 TS

REVISION A
CHANGED F
SEE PG. 2
11/22/99 TS

REVISION B
CORRECTION
TO SCHEMATIC
PAGE 2.
12/13/00 TS

REVISION C
ADDED RoHS &
UPDATED LABEL.
REMOVED CSA
LR69223
01/26/06 MP

REVISION D
CHG TUV FILE #
WAS 810/89
(EN60950 & VDE
0551). CLARIFIED
PIN OUTS
04/18/07 YS

REVISION E
UPDATED SAFETY
11/15/07 YS

REVISION F
UPDATED SAFETY
10/19/12 MP

REVISION G
SAFETY NOTES
ADDED
03/20/13 MP

TOLERANCES (mm)	
≤ 4	± 0.2
4 ≤ 20	± 0.3
20 ≤ 50	± 0.4

PREPARED BY:
Mathi Pitchai

ENGINEER:
Mathi Pitchai

SAFETY ENGINEER
B. O'Connell

APPROVED:
Peter Brune

THREE FLANGE DUAL PRIMARY 2.5VA PC BOARD POWER TRANSFORMER

A. Electrical Specifications (@ 25°C)

1. Maximum Power: 2.5VA
2. Primary Voltage and Frequency: 115/230VAC 50/60Hz
3. Secondary RMS rating: See tabulation in Table A
4. Voltage Regulation: 31% TYP @ full load to no load
5. Temperature Rise(normal op. cond.): 30°C TYP (45°C MAX)
6. A 10% Input Voltage change will proportionally affect transformer sec voltage. The max. allowed wdg temp under abnormal condition is 155°C
7. Insulation Resistance:
100MΩ MIN @ 500VDC, Pri to Sec, Pri to Core, Sec to Core
8. Dielectric Withstand: 3750Vrms 1 minute @ Pri to Sec
1500Vrms 1 minute @ Pri to Core, Sec to Core

B. Marking: includes input and output ratings (per sheet 2)

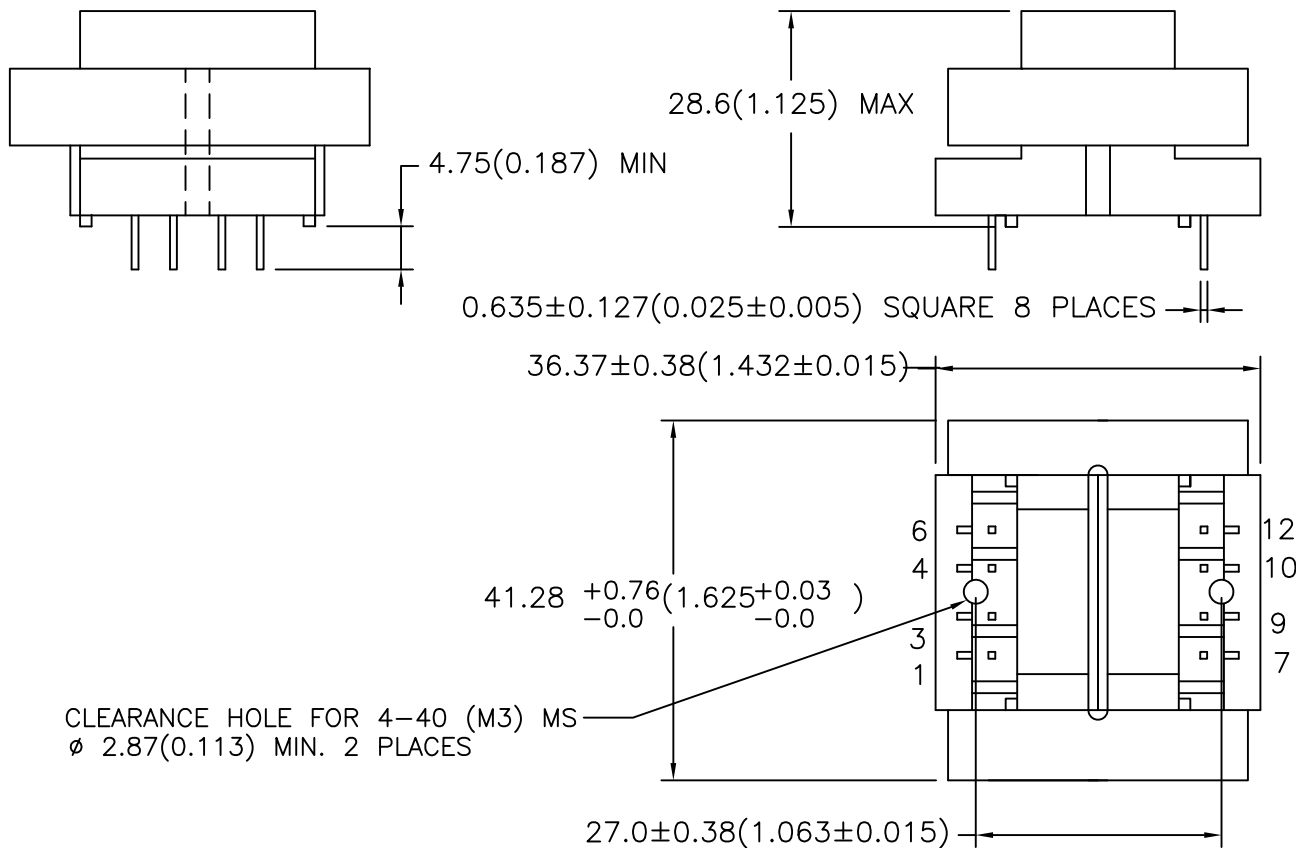
C. Safety:

Conforms to construction requirement of:
UL5085-1, -2; CSA No. 66.1, 66.2
(from Datecode 1244 and onwards).
UL506, UL1411
UL1446 (CLASS 130(B))
EN61558-1, -2-6
Safety certificate file reference:
UL E138028, E79781, E92957
CSA 175561
TUV (P.S.) 4478013415698



Non short-circuit proof safety isolating transformer.
Intended for mounting on PCBs and for building into end use-equipment.
Not intended for series/parallel connection with other transformers.
Mounting hardware may reduce spacing in end use application.

D. Mechanical Specifications:



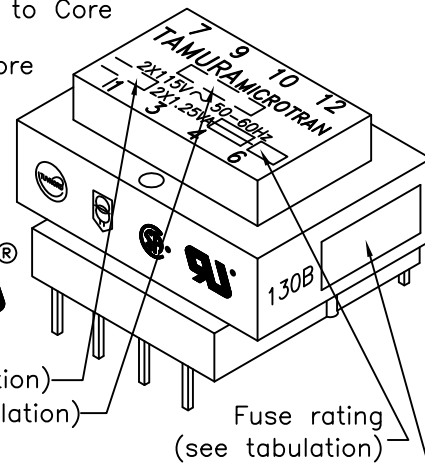
CLEARANCE HOLE FOR 4-40 (M3) MS
Ø 2.87(0.113) MIN. 2 PLACES

NOTE: BOARD WASHING IS NOT RECOMMENDED FOR THESE PARTS



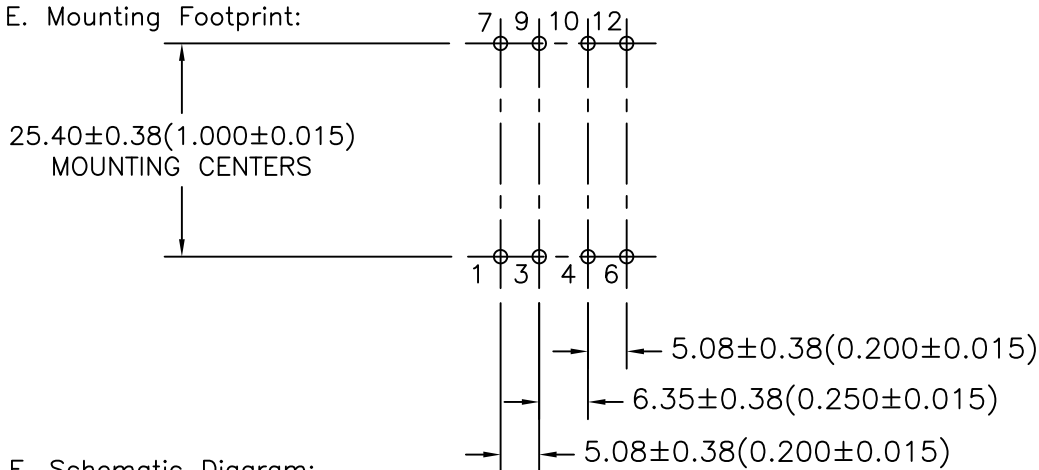
MODEL NUMBER

PL2.5-XX-130B



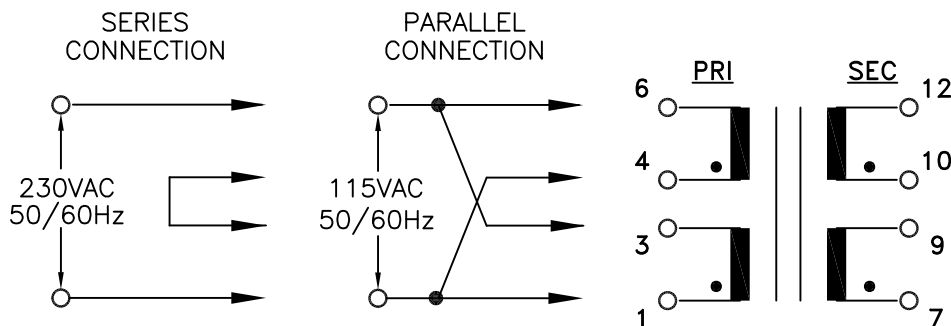
ENGINEER:	DRAWING CONTROL NO.	REV	MODEL DESCRIPTION	MODEL SPECIFICATION
Mathi Pitchai	P-A1-12226	G	POWER TRANSFORMER	PL2.5-XX-130B
SAFETY ENGINEER	TAMURA CORPORATION OF AMERICA 1040 SOUTH ANDREASEN DRIVE, #100 ESCONDIDO, CA. 92029 (951) 699-1270 FAX 7607400536			DIM: mm[In] SCL: 1/1 SH: 1 OF 2
APPROVED:	PROPRIETARY NOTICE: THIS DRAWING PRINT OR DOCUMENT AND SUBJECT MATTER DISCLOSED HEREIN ARE PROPRIETARY ITEMS TO WHICH TAMURA RETAINS THE EXCLUSIVE RIGHT OF DISSEMINATION, REPRODUCTION, MANUFACTURE AND SALE. THIS DRAWING, PRINT OR DOCUMENT IS SUBMITTED IN CONFIDENCE FOR CONSIDERATION BY THE RECIPIENT ALONE UNLESS PERMISSION FOR FURTHER DISCLOSURE IS EXPRESSLY GRANTED IN WRITING.			
Peter Brune				

E. Mounting Footprint:

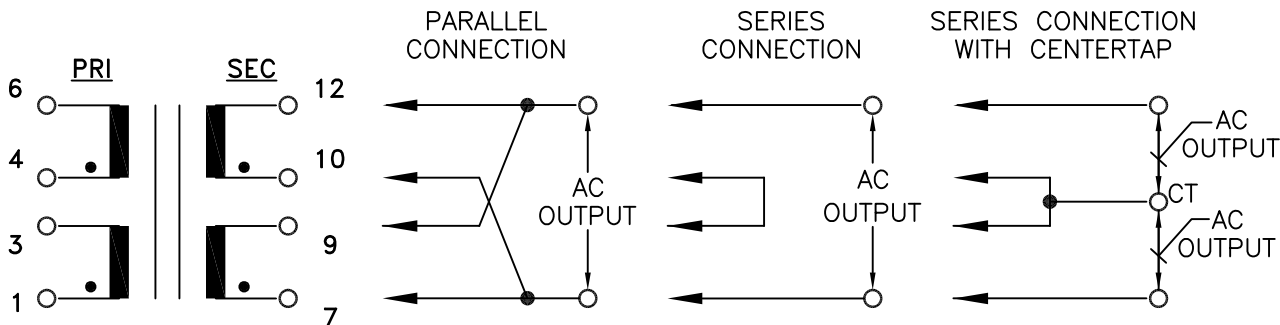


F. Schematic Diagram:

PRIMARY INPUT CONNECTIONS



SECONDARY OUTPUT CONNECTIONS



G. Table A:

T= Time lag

PART NO.	PARALLEL		SERIES		SERIES WITH CT		OUTPUT	SECONDARY FUSE REQ'D EA. WINDING
	AC VOLTS	RMS AMPS	AC VOLTS	RMS AMPS	AC VOLTS	RMS AMPS		
PL2.5-10-130B	5.0	0.50	10.0	0.25	5.0-CT-5.0	0.25	2X5.0V	T 0.25A
PL2.5-12-130B	6.3	0.40	12.6	0.20	6.3-CT-6.3	0.20	2X6.3V	T 0.20A
PL2.5-16-130B	8.0	0.30	16.0	0.15	8.0-CT-8.0	0.15	2X8.0V	T 0.16A
PL2.5-20-130B	10.0	0.24	20.0	0.12	10.0-CT-10.0	0.12	2X10.0V	T 0.125A
PL2.5-24-130B	12.0	0.20	24.0	0.10	12.0-CT-12.0	0.10	2X12.0V	T 0.10A
PL2.5-28-130B	14.0	0.18	28.0	0.09	14.0-CT-14.0	0.09	2X14.0V	T 0.10A
PL2.5-36-130B	18.0	0.14	36.0	0.07	18.0-CT-18.0	0.07	2X18.0V	T 0.08A

PREPARED BY: Mathi Pitchai	DRAWING CONTROL NO. P-A1-12226	REV G	MODEL DESCRIPTION POWER TRANSFORMER	MODEL SPECIFICATION PL2.5-XX-130B
ENGINEER: Mathi Pitchai	CONTENTS OF THIS DRAWING ARE SUBJECT TO CHANGE WITHOUT PRIOR NOTICE		TAMURA CORPORATION OF AMERICA 1040 SOUTH ANDREASEN DRIVE, #100 ESCONDIDO, CA. 92029 (951) 699-1270 FAX 7607400536	DIM: mm[In] SCL: 1/1 SH: 2 OF 2
SAFETY ENGINEER: B. O'Connell	PROPRIETARY NOTICE: THIS DRAWING PRINT OR DOCUMENT AND SUBJECT MATTER DISCLOSED HEREIN ARE PROPRIETARY ITEMS TO WHICH TAMURA RETAINS THE EXCLUSIVE RIGHT OF DISSEMINATION, REPRODUCTION, MANUFACTURE AND SALE. THIS DRAWING, PRINT OR DOCUMENT IS SUBMITTED IN CONFIDENCE FOR CONSIDERATION BY THE RECIPIENT ALONE UNLESS PERMISSION FOR FURTHER DISCLOSURE IS EXPRESSLY GRANTED IN WRITING.			
APPROVED: Peter Brune				

Mouser Electronics

Authorized Distributor

Click to View Pricing, Inventory, Delivery & Lifecycle Information:

[Tamura:](#)

[PL2.5-36-130B](#) [PL2.5-16-130B](#) [PL2.5-10-130B](#) [PL2.5-20-130B](#) [PL2.5-12-130B](#) [PL2.5-24-130B](#) [PL2.5-28-130B](#)