


THIS DRAWING IS UNPUBLISHED. RELEASED FOR PUBLICATION
 © COPYRIGHT - By - ALL RIGHTS RESERVED.

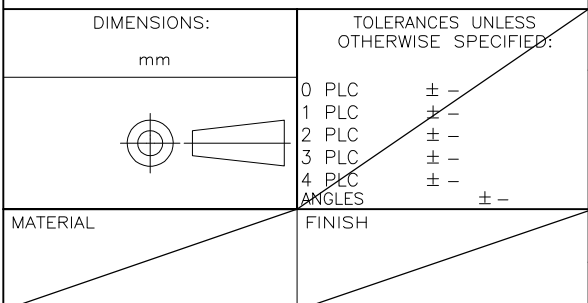
| | | | | | | | |
|-----|------|-----------|-----|---------------------------|---------|-----|------|
| LOC | DIST | REVISIONS | | | | | |
| FB | 00 | P | LTR | DESCRIPTION | DATE | DWN | APVD |
| | | P | | REVISED PER ECO-11-005033 | 25MAR11 | RK | HMR |

| NAME | POS | IN TUBE P/N | QTY'S | CT POST HDR ASS'Y (BOX-V DIP) | COLOR | NAME | POS | IN TUBE P/N | QTY'S | CT POST HDR ASS'Y (BOX-V DIP) | COLOR |
|--|-----|-------------|-------|-------------------------------|--------|--|-----|-------------|-------|-------------------------------|-----------------|
| TUBE PACKING AMP CT CONN POST HDR ASS'Y (BOX-V DIP) | 15 | 7-292165-5 | 15 | 7-292132-5 | BLACK | TUBE PACKING AMP CT CONN POST HDR ASS'Y (BOX-V DIP) | 15 | 3-292165-5 | 15 | 3-292132-5 | BLUE |
| | 14 | 7-4 | 15 | 7-4 | | | | | | | |
| | 13 | 7-3 | 15 | 7-3 | | | | | | | |
| | 12 | 7-2 | 15 | 7-2 | | | | | | | |
| | 11 | 7-1 | 20 | 7-1 | | | | | | | |
| | 10 | 7-0 | 20 | 7-0 | | | | | | | |
| | 9 | 6-9 | 20 | 6-9 | | | | | | | |
| | 8 | 6-8 | 25 | 6-8 | | | | | | | |
| | 7 | 6-7 | 30 | 6-7 | | | | | | | |
| | 6 | 6-6 | 30 | 6-6 | | | | | | | |
| | 5 | 6-5 | 40 | 6-5 | | | | | | | |
| | 4 | 6-4 | 45 | 6-4 | | | | | | | |
| | 3 | 6-3 | 60 | 6-3 | | | | | | | |
| | 2 | 6-292165-2 | 80 | 6-292132-2 | | | | | | | |
| | 15 | 5-292165-5 | 15 | 5-292132-5 | | | | | | | |
| TUBE PACKING AMP CT CONN POST HDR ASS'Y (BOX-V DIP) | 14 | 5-4 | 15 | 5-4 | YELLOW | TUBE PACKING AMP CT CONN POST HDR ASS'Y (BOX-V DIP) | 14 | 1-4 | 15 | 1-4 | NATURAL (WHITE) |
| | 13 | 5-3 | 15 | 5-3 | | | | | | | |
| | 12 | 5-2 | 15 | 5-2 | | | | | | | |
| | 11 | 5-1 | 20 | 5-1 | | | | | | | |
| | 10 | 5-0 | 20 | 5-0 | | | | | | | |
| | 9 | 4-9 | 20 | 4-9 | | | | | | | |
| | 8 | 4-8 | 25 | 4-8 | | | | | | | |
| | 7 | 4-7 | 30 | 4-7 | | | | | | | |
| | 6 | 4-6 | 30 | 4-6 | | | | | | | |
| | 5 | 4-5 | 40 | 4-5 | | | | | | | |
| | 4 | 4-4 | 45 | 4-4 | | | | | | | |
| | 3 | 4-3 | 60 | 4-3 | | | | | | | |
| | 2 | 4-292165-2 | 80 | 4-292132-2 | | | | | | | |
| | | | | | | | | | | | |
| | | | | | | | | | | | |

- NOTE:
1. TUBE P/N: 8-720998-8 (P.V.C)
 2. THIS PRODUCT IS IN TUBE PACKING OF P/N 292132

THIS DRAWING IS A CONTROLLED DOCUMENT.

| | | | | | | | |
|------------------|------------------|-----------|--|------------|----------|---------------|---|
| DWN | J.JIANG | 23JAN03 |  TE Connectivity | | | | |
| CHK | S.YAO | 23JAN03 | | | | | |
| APVD | T.SASAKI | 23JAN03 | | | | | |
| NAME | | | | | | | |
| PRODUCT SPEC | 108-60016 | | TUBE PACKING AMP CT CONN. POST HDR ASS'Y (BOX-V DIP) | | | | |
| APPLICATION SPEC | | | | | | | |
| SIZE | A3 | CAGE CODE | 00779 | DRAWING NO | C-292165 | RESTRICTED TO | - |
| WEIGHT | CUSTOMER DRAWING | | SCALE | 1 OF 1 | REV | P | |



Mouser Electronics

Authorized Distributor

Click to View Pricing, Inventory, Delivery & Lifecycle Information:

[TE Connectivity:](#)

[4-292165-3](#)