



# Han® PushPull V14 Power 4/0



## General information

Design	Han® PushPull Power connector acc. to IEC 61076-3-118
No. of contacts	4 + PE
Temperature range	-40° C ... +70° C
Mating cycles	min. 500
Degree of protection	IP65 / IP67

Termination technology	Crimp	Quick Lock (fool-less)	Solder
Flammability acc. to UL 94	V0	V0	V0
Electrical data acc. to DIN EN 61984	16A 690V 8kV 3	16A 690V 8kV 3	16A 230/400V 4kV 3
Hot plugging	No	No	No
RoHS - compliant	Yes	Yes	Yes
UL file	E235076	E235076	E235076

## Insulator material

Material	PC / PA
Color	grey / black
Material group acc. IEC 60664-1	PLC 3 / PLC1

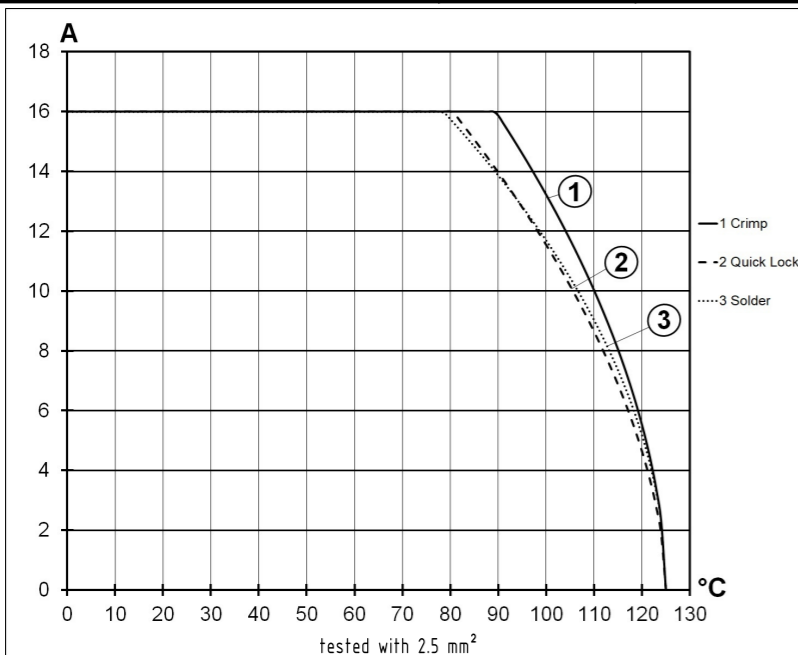
## Contact material

Contact material	Brass
Plating	Ag

## material

housing	PA, PC, PBT
cable seal	TPE
o-ring	NBR

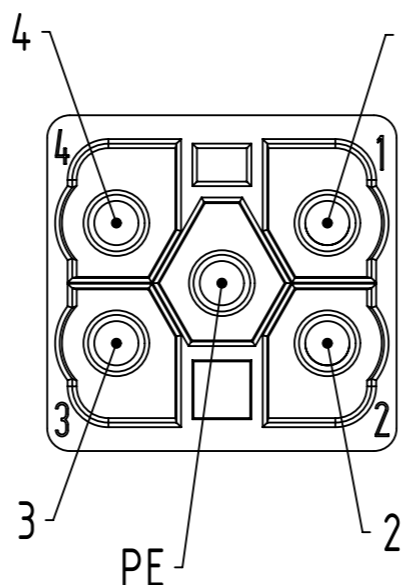
## Derating diagram acc. to IEC 60512-5-2 (Current carrying capacity)



The current carrying capacity is limited by maximum temperature of materials for inserts and contacts including terminals.  
The current capacity curve is valid for continuous, non interrupted current loaded contacts of connectors when simultaneous power on all contacts is given, without exceeding the maximum temperature.

Control and test procedures acc. to IEC 60512-5-2

## Mating Face



## Connector sets incl. housing and female insert

Identification	Part No.	cable Ø	termination cross	Wire gauge	material
Han® PushPull V14 Power 4/0 Crimp 4-11 mm clamp range	09 35 231 0401	4-11 mm	see crimp contacts Han® P		metal housing
Han® PushPull V14 Power 4/0 Crimp 9-13 mm clamp range	09 35 231 0423	9-13 mm	see crimp contacts Han® P		plastic housing
Han® PushPull V14 Power 4/0 Quick Lock 4-11 mm clamp range	09 35 232 0401	4-11 mm	0.5-2.5 mm <sup>2</sup>	AWG 24-12	metal housing
Han® PushPull V14 Power 4/0 Quick Lock 6.5-9.5 mm clamp range	09 35 232 0421	6.5-9.5 mm	0.5-2.5 mm <sup>2</sup>	AWG 24-12	plastic housing
Han® PushPull V14 Power 4/0 Quick Lock 9-13 mm clamp range	09 35 232 0423	9-13 mm	0.5-2.5 mm <sup>2</sup>	AWG 24-12	plastic housing
Han® PushPull V14 Power 4/0 Quick Lock 4-11 mm clamp range	09 35 234 0401	4-11 mm	0.25-1.5 mm <sup>2</sup>	AWG 24-16	metal housing
Han® PushPull V14 Power 4/0 Quick Lock 6.5-9.5 mm clamp range	09 35 234 0421	6.5-9.5 mm	0.25-1.5 mm <sup>2</sup>	AWG 24-16	plastic housing

## Panel feed through

Identification	Part No.	termination cross	Wire gauge	material
Han® PushPull V14 Power 4/0 Crimp Rectangular panel cut out	09 35 231 0311	see crimp contacts Han® P		metal housing
Han® PushPull V14 Power 4/0 Crimp Circular panel cut out	09 35 231 0312	see crimp contacts Han® P		metal housing
Han® PushPull V14 Power 4/0 Crimp	09 35 231 0331	see crimp contacts Han® P		plastic housing
Han® PushPull V14 Power 4/0 Crimp M25	09 35 231 0332	see crimp contacts Han® P		plastic housing
Han® PushPull V14 Power 4/0 Quick Lock Rectangular panel cut out	09 35 232 0311	0.5-2.5 mm <sup>2</sup>	AWG 24-12	metal housing
Han® PushPull V14 Power 4/0 Quick Lock Circular panel cut out	09 35 232 0312	0.5-2.5 mm <sup>2</sup>	AWG 24-12	metal housing
Han® PushPull V14 Power 4/0 Quick Lock	09 35 232 0331	0.5-2.5 mm <sup>2</sup>	AWG 24-12	plastic housing
Han® PushPull V14 Power 4/0 Quick Lock M25	09 35 232 0332	0.5-2.5 mm <sup>2</sup>	AWG 24-12	plastic housing
Han® PushPull V14 Power 4/0 Quick Lock Rectangular panel cut out	09 35 234 0311	0.25-1.5 mm <sup>2</sup>	AWG 24-16	metal housing
Han® PushPull V14 Power 4/0 Quick Lock Circular panel cut out	09 35 234 0312	0.25-1.5 mm <sup>2</sup>	AWG 24-16	metal housing
Han® PushPull V14 Power 4/0 Quick Lock	09 35 234 0331	0.25-1.5 mm <sup>2</sup>	AWG 24-16	plastic housing
Han® PushPull V14 Power 4/0 Quick Lock M25	09 35 234 0332	0.25-1.5 mm <sup>2</sup>	AWG 24-16	plastic housing

## Housing bulkhead mounting for device integration

Identification	Part No.	termination cross	material
Housing bulkhead mounting metal	09 35 002 0303	-	metal housing
Housing bulkhead mounting plastic	09 35 002 0323	-	plastic housing
Male insert with solder termination angled	09 35 002 3003	solder termination	
Male insert with solder termination straight	09 35 002 3004	solder termination	

## Crimp contacts Han® P

Wire gauge	type	Part No.	Ø	Stripping length
for 0.5 mm <sup>2</sup> AWG 20	male	09 35 000 6103	1.15 mm	6 mm
for 0.5 mm <sup>2</sup> AWG 20	female	09 35 000 6203	1.15 mm	6 mm
for 0.75 mm <sup>2</sup> AWG 18	male	09 35 000 6104	1.30 mm	6 mm
for 0.75 mm <sup>2</sup> AWG 18	female	09 35 000 6204	1.30 mm	6 mm
for 1.0 mm <sup>2</sup> AWG 18	male	09 35 000 6105	1.45 mm	6 mm
for 1.0 mm <sup>2</sup> AWG 18	female	09 35 000 6205	1.45 mm	6 mm
for 1.5 mm <sup>2</sup> AWG 16	male	09 35 000 6106	1.75 mm	6 mm
for 1.5 mm <sup>2</sup> AWG 16	female	09 35 000 6206	1.75 mm	6 mm
for 2.5 mm <sup>2</sup> AWG 14	male	09 35 000 6107	2.25 mm	6 mm
for 2.5 mm <sup>2</sup> AWG 14	female	09 35 000 6207	2.25 mm	6 mm

## Accessories

Part No.	Description
09 99 000 0319	Removal tool Han® P contacts
09 99 000 0886	Locator Han® P for crimping tool 09 99 000 0888
09 99 000 0888	HARTING four-indent crimping tool
09 35 000 6190	Han® PushPull Power 4/0 coding pins

	All rights reserved	Created by	Inspected by	Standardisation	Date	State
	Department EC PD - DE	ELLERMANN	ZWAHR	HOFFMANN	2018-03-09	Final Release
HARTING Electronics GmbH		Title		Date		Doc-Key / ECM-Nr.
D-32339 Espelkamp		Han PushPull V14 Power 4/0		2018-03-09		100749172/UGD/000/A 500000132347
		Type	Number	Rev.		Page
		DS	09350000001	A		1/1