

# High Frequency Ceramic Solutions

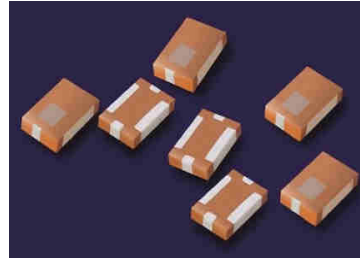
2.4GHz Band Pass Filter, EIA 0603

P/N 2450BP14D0100

Detail Specification: 10/18/2017

Page 1 of 3

Specifications	
Part Number	2450BP14D0100
Frequency (MHz)	2400 ~ 2500
Impedance (Ohm)	50
Insertion Loss (dB)	1.5 typ. / 1.7 max.
Return Loss	9.5 dB min.



Frequency	Attenuation (dB)	Reel Quantity	Operating Temperature
880 ~ 915MHz	35 typ. / 30 min.	4,000	-40 to +85°C
1710 ~ 1785MHz	35 typ. / 30 min.		
1850 ~ 1910MHz	27 typ. / 25 min.	Storage Temperature	-40 to +85°C
4800 ~ 5000MHz	30 typ. / 25 min.	Storage Period	18 months max.*
7200 ~ 7500MHz	23 typ. / 15 min.	Solder Paste	SAC 305 type recommended
Power Capacity	2W max. (CW)		

\*18 months in vacuum sealed bag and 1 week after opened. Please keep unused parts in vacuum sealed bags.

For more info go to [www.johansontechnology.com/silverleads](http://www.johansontechnology.com/silverleads).

P/N Suffix	Packing Style	Bulk	Suffix = S	eg. 2450BP14D0100S
		T & R	Suffix = E	eg. 2450BP14D0100T
Evaluation Board		2450BP14D0100-EB1SMA (2 Female SMA connectors 50Ω)		

## Mechanical Specifications

	In	mm
L	0.063 ± 0.004	1.60 ± 0.10
W	0.031 ± 0.004	0.80 ± 0.10
T	0.024 ± 0.004	0.60 ± 0.10
a	0.028 ± 0.006	0.70 ± 0.15
b	0.012 ± 0.004	0.30 ± 0.10
c	0.006 ± 0.004	0.15 ± 0.10
d	0.018 ± 0.006	0.45 ± 0.15

## Terminal Configuration

No.	Function	No.	Function
1	GND	3	GND
2	IN/OUT	4	IN/OUT

Want the layout file of the component above or would like us to help you review your layout? Send us a message at:

[www.johansontechnology.com/ask-a-question](http://www.johansontechnology.com/ask-a-question)

Johanson Technology, Inc. reserves the right to make design changes without notice.

All sales are subject to Johanson Technology, Inc. terms and conditions.



[www.johansontechnology.com](http://www.johansontechnology.com)

4001 Calle Tecate • Camarillo, CA 93012 • TEL 805.389.1166 FAX 805.389.1821

Ver. 2.0

2017 Johanson Technology, Inc. All Rights Reserved

# High Frequency Ceramic Solutions

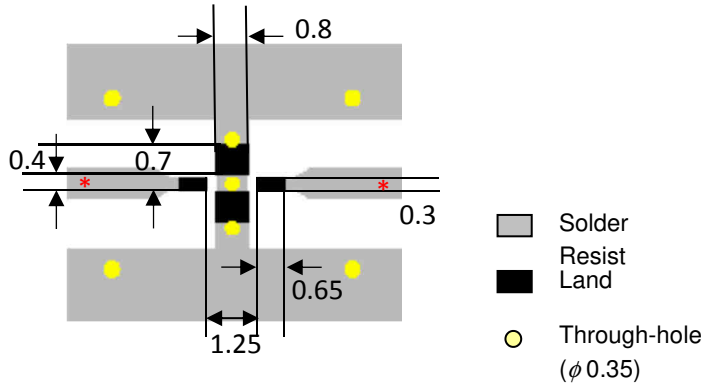
2.4GHz Band Pass Filter, EIA 0603

P/N 2450BP14G0100

Detail Specification: 10/18/2017

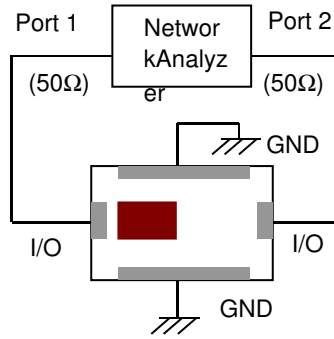
Page 2 of 3

## Mounting Considerations

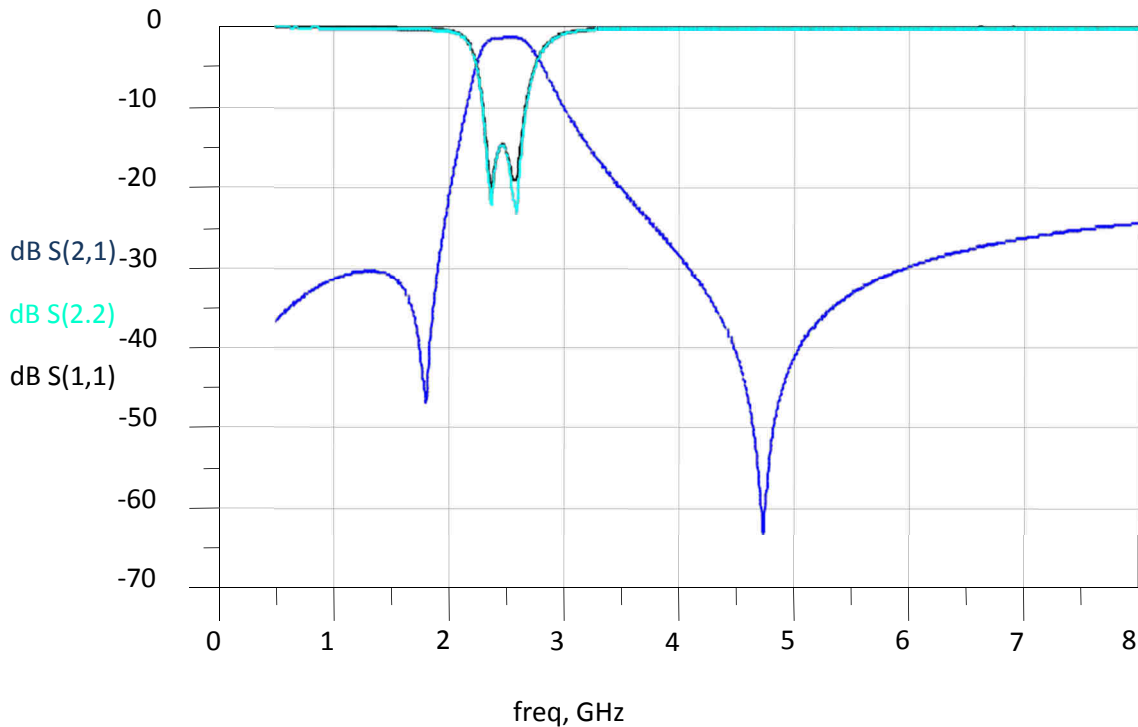


\* Line width should be designed to match 50 ohm characteristic impedance, depending on PCB material and thickness.

## Measuring Diagram



## Electrical Characteristics (T=25°C)



Johanson Technology, Inc. reserves the right to make design changes without notice.  
All sales are subject to Johanson Technology, Inc. terms and conditions.



[www.johansontechnology.com](http://www.johansontechnology.com)

4001 Calle Tecate • Camarillo, CA 93012 • TEL 805.389.1166 FAX 805.389.1821

Ver. 2.0

2017 Johanson Technology, Inc. All Rights Reserved

# High Frequency Ceramic Solutions

2.4GHz Band Pass Filter, EIA 0603

P/N 2450BP14D0100

Detail Specification: 10/18/2017

Page 3 of 3

## More BPF info such as measured s-parameters and ordering details at:

[www.johansontechnology.com/band-pass-filters](http://www.johansontechnology.com/band-pass-filters)

## Packaging information

[www.johansontechnology.com/downloads/Integrated\\_Passive\\_Component\\_Packaging.pdf](http://www.johansontechnology.com/downloads/Integrated_Passive_Component_Packaging.pdf)

## Soldering Information

[www.johansontechnology.com/ipcsoldering-profile](http://www.johansontechnology.com/ipcsoldering-profile)

## MSL Info

[www.johansontechnology.com/msl-rating](http://www.johansontechnology.com/msl-rating)

## Recommended Storage Condition and Max Shelf Life

[www.johansontechnology.com/recommended-storage-conditions](http://www.johansontechnology.com/recommended-storage-conditions)

## RoHS Compliance

[www.johansontechnology.com/rohs-compliance](http://www.johansontechnology.com/rohs-compliance)

## Layout review services

[www.johansontechnology.com/ask-a-question](http://www.johansontechnology.com/ask-a-question)

## Antenna layout review, tuning, and characterization services

[www.johansontechnology.com/ipc-antenna-services](http://www.johansontechnology.com/ipc-antenna-services)

Johanson Technology, Inc. reserves the right to make design changes without notice.  
All sales are subject to Johanson Technology, Inc. terms and conditions.



[www.johansontechnology.com](http://www.johansontechnology.com)

4001 Calle Tecate • Camarillo, CA 93012 • TEL 805.389.1166 FAX 805.389.1821

Ver. 2.0

2017 Johanson Technology, Inc. All Rights Reserved

# Mouser Electronics

Authorized Distributor

Click to View Pricing, Inventory, Delivery & Lifecycle Information:

[Johanson:](#)

[2450BP14D0100T](#)