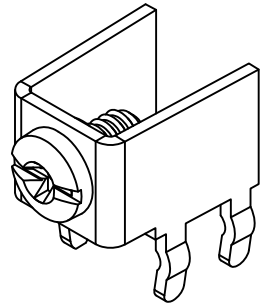
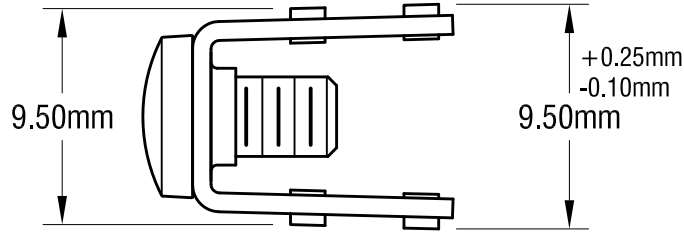
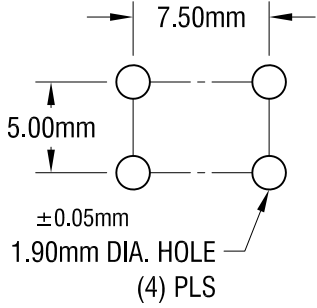
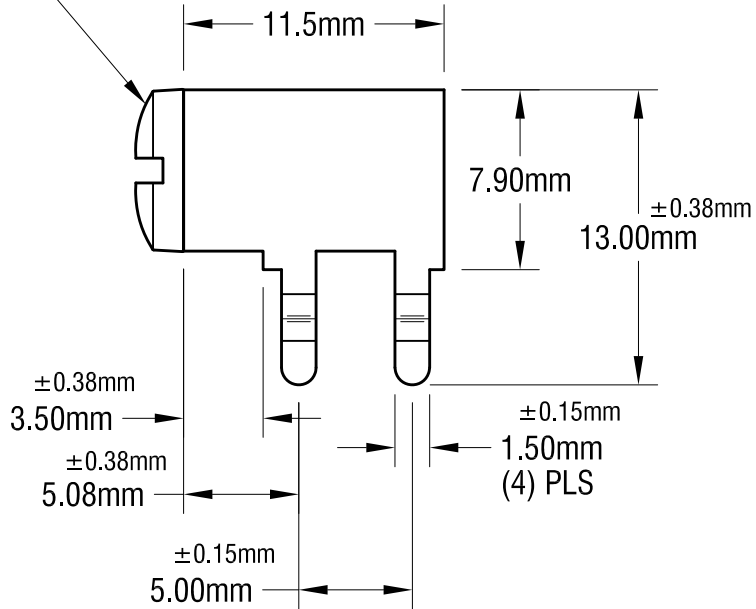
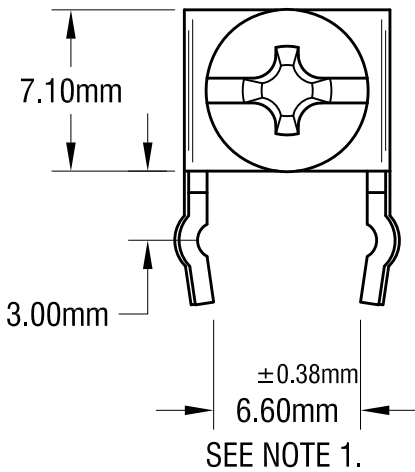


THIS DOCUMENT IS THE PROPERTY OF KEYSTONE ELECTRONICS CORP. AND SHALL NOT BE REPRODUCED, DISTRIBUTED OR USED AS A BASIS FOR MANUFACTURE WITHOUT PRIOR WRITTEN PERMISSION FROM KEYSTONE ELECTRONICS CORP.

**MOUNTING DETAIL**



M3 x 0.5  
6.00mm LONG  
CAPTIVATED SCREW



**SCREW TERMINAL W / COLORED SCREW HEAD**

PART NO.	HEAD COLOR	PART NO.	HEAD COLOR
7695-2	RED	7695-5	BLUE
7695-3	BLACK	7695-6	GREEN
7695-4	WHITE	7695-7	YELLOW

**NOTE:**

- ALL DIMENSIONS ARE IN MILLIMETERS.
- TERMINAL:  
MAT'L - 0.8mm TH'K BRASS, TIN PLATE
- SCREW:  
MAT'L - BRASS, NICKEL PLATE  
HEAD OF SCREW IS POWDER COATED  
WITH COLOR AS INDICATED IN CHART.

**KEYSTONE ELECTRONICS CORP.**

www.keyelco.com • ASTORIA, N.Y. 11105-2017 • Tel (718) 956-8900

PART NAME		PC METRIC SCREW TERMINAL	
MATERIAL		AS NOTED	
FINISH		DRN BY	DATE
AS NOTED		NT	1.15.10
		APP'D	SCALE
		LN	3X
TOLERANCES	INCH [MM]	CODE	DWG NO.
DECIMAL	± [± 0.25]	C	7695-2 - 7695-7
ANGULAR	± 1°		
UNLESS OTHERWISE SPECIFIED			

DATE	DESCRIPTION	REV.
------	-------------	------

# Mouser Electronics

Authorized Distributor

Click to View Pricing, Inventory, Delivery & Lifecycle Information:

[Keystone Electronics:](#)

[7695-4](#)