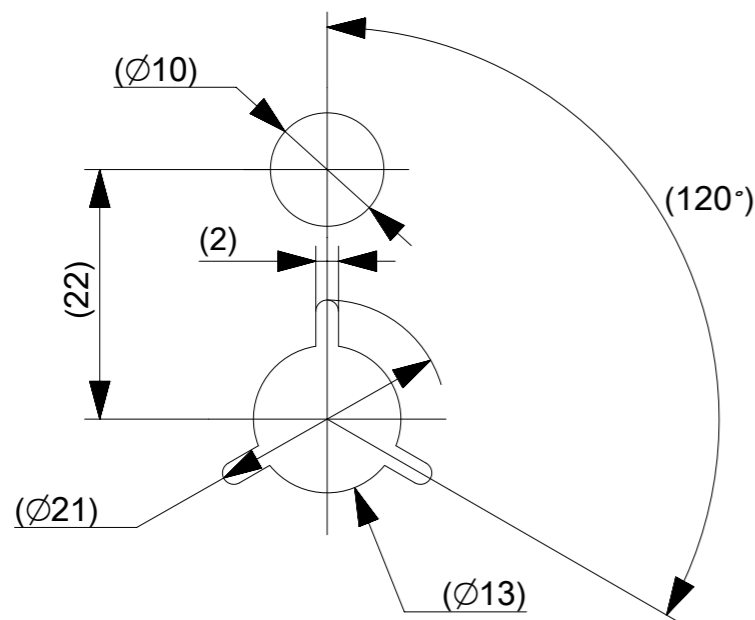
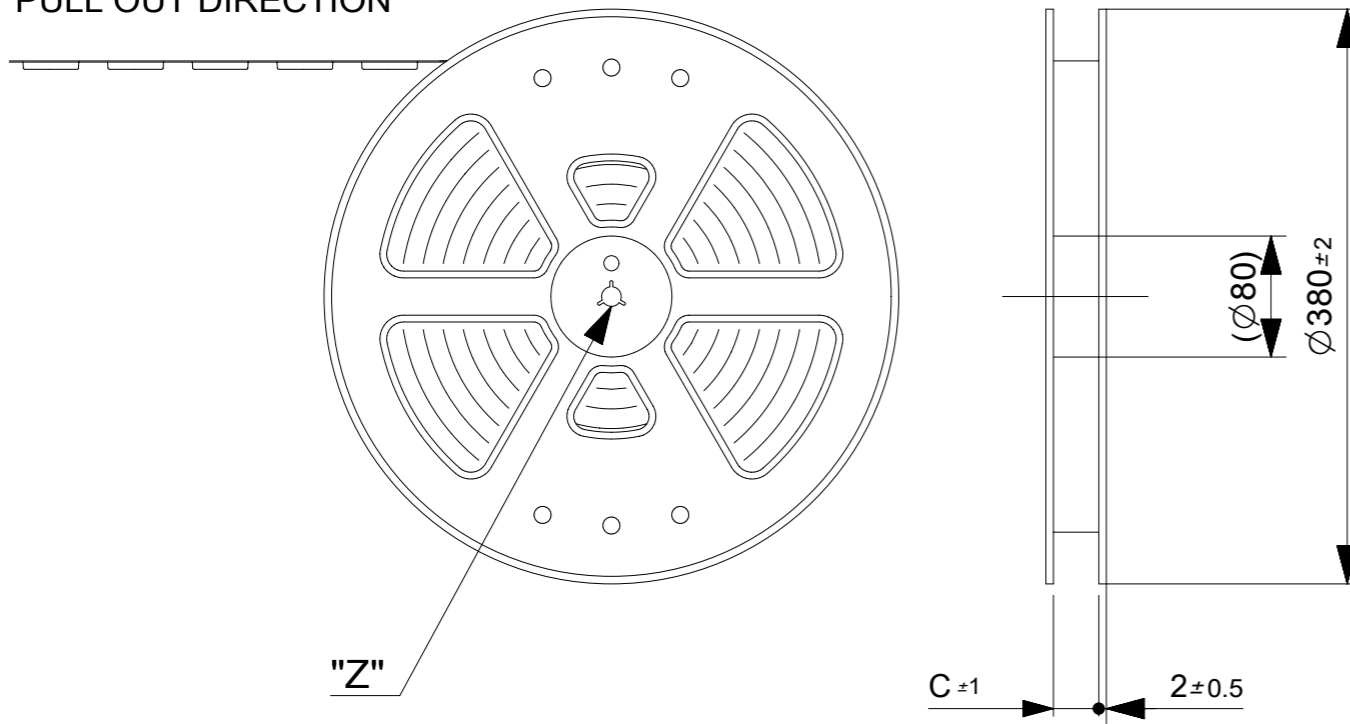


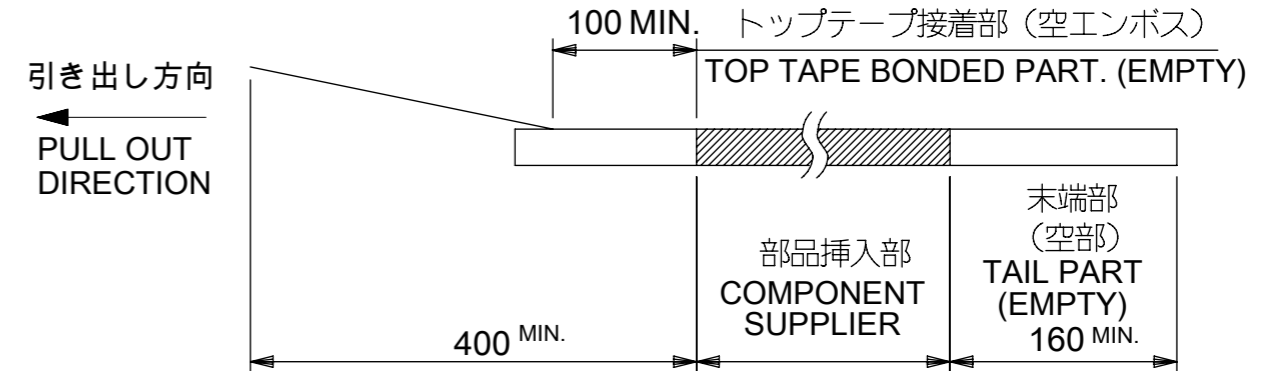
引き出し方向
PULL OUT DIRECTION



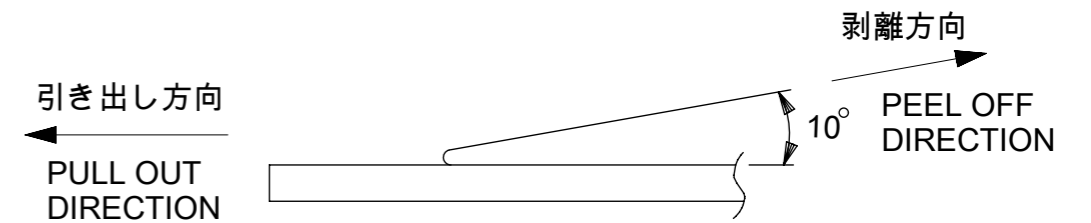
DETAIL "Z"

NOTES

- 製品詳細寸法は製品単体図面を参照して下さい。
FOR DETAIL OF CONNECTOR DIMENSIONS, PLEASE SEE THE DRAWING OF CONNECTOR ITSELF (NOT PACKAGED).
- 梱包数量 : 3000個 / リール
NUMBER OF CONNECTORS : 3000PCS/REEL
- リードテープ長さ LEAD TAPE LENGTH



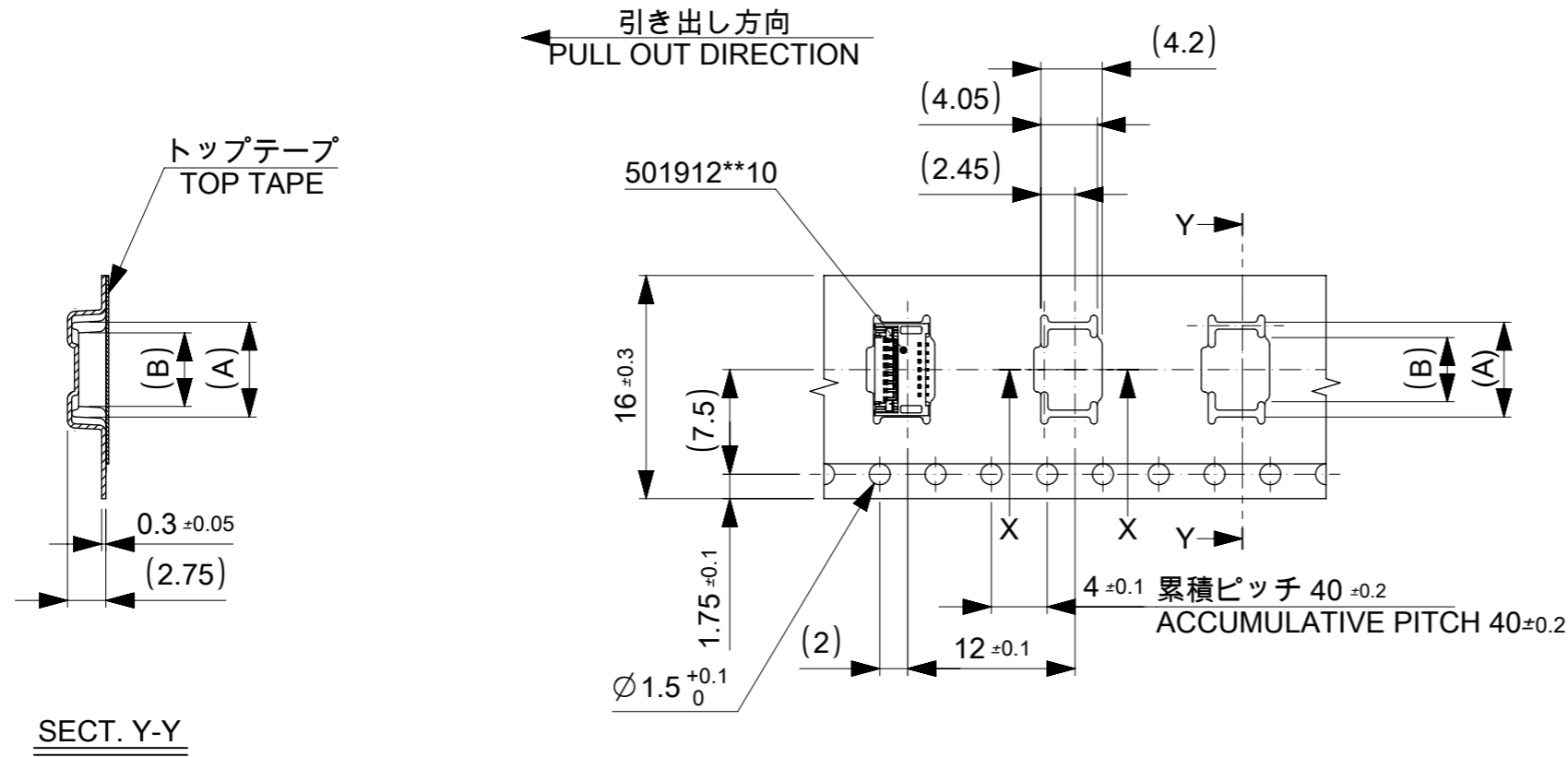
- トップテープの剥離強度 : 60±35gf (0.25N ~ 0.93N) (剥離方向は下図参照)
尚、本規格は出荷時に適用。(但し、輸送時に剥離が発生しないこと。)
PEELING OFF FORCE OF TOP TAPE : 60gf±35gf (0.25N ~ 0.93N)
(PEELING DIRECTION AS SHOWN IN FOLLOWING FIG.)
THIS REQUIREMENT SHOULD BE APPLIED AT SHIPMENT.
PEEL OFF SHOULD NOT BE ALLOWED , DURING TRANSPORTATION.



- 材料(MATERIAL)
キャリアテープ(CARRIER TAPE) : ポリスチレン(POLYSTYREN)
トップテープ(TOP TAPE) : PET, PE, PEF
リール(REEL) : ポリスチレン(PS) <リサイクル材を含む>
POLYSTYREN(PS) <RECYCLE MATERIAL CONTAINED>
- C寸法は SHEET 2~4を参照下さい。
SEE SHEET 2~4(DIMENSION C).
- ELV AND RoHS COMPLIANT.

501912**90 MODEL NO.

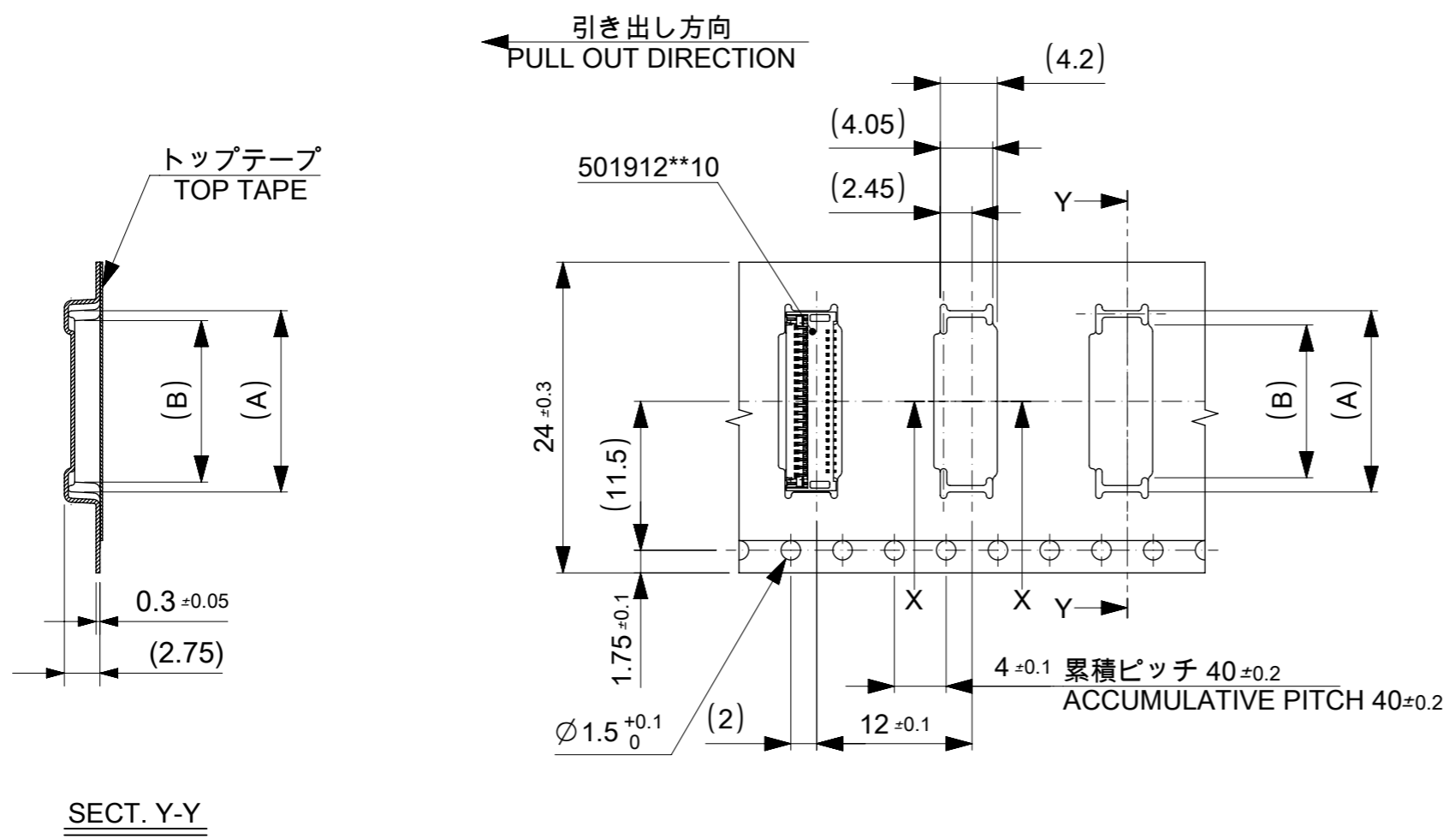
THIS DRAWING CONTAINS INFORMATION THAT IS PROPRIETARY TO MOLEX ELECTRONIC TECHNOLOGIES, LLC AND SHOULD NOT BE USED WITHOUT WRITTEN PERMISSION		CURRENT REV DESC: OBSOLETE PART NUMBER		molex	
DIMENSION UNITS	SCALE				
mm	NTS			EMBSTP PKG FOR 0.3 FPC CONN (HGT=1.8MM) GOLD PLATING	
GENERAL TOLERANCES (UNLESS SPECIFIED)				PRODUCT CUSTOMER DRAWING	
ANGULAR TOL	± 3.0 °			DOCUMENT NUMBER	
4 PLACES	± 0.2	EC NO: 638770	2020/03/12	5019120000	
3 PLACES	± 0.2	DRWN: RPRABHUM	2020/07/21	DOC TYPE	DOC PART
2 PLACES	± 0.2	CHK'D: GGA	2020/07/21	PSD	000
1 PLACE	± 0.2	APPR: GGA	2020/07/21	REVISION	B
0 PLACES	± 0.2	INITIAL REVISION:		SHEET NUMBER	
DRAFT WHERE APPLICABLE MUST REMAIN WITHIN DIMENSIONS		THIRD ANGLE PROJECTION	DRAWING	SERIES	MATERIAL NUMBER
			A3-SIZE	501912	SEE TABLE
				CUSTOMER	1 OF 4



16mm 幅キャリアテープ
16mm WIDTH CARRIER TAPE

16	17.5	4.6	6.8	5019121590	15
キャリアテープ幅 CARRIER TAPE WIDTH	C	(B)	(A)	オーダー番号 ORDER NO.	極数 Ckt
501912**90				MODEL NO.	

THIS DRAWING CONTAINS INFORMATION THAT IS PROPRIETARY TO MOLEX ELECTRONIC TECHNOLOGIES, LLC AND SHOULD NOT BE USED WITHOUT WRITTEN PERMISSION					
DIMENSION UNITS	SCALE	CURRENT REV DESC: OBSOLETE PART NUMBER			
mm	NTS				
GENERAL TOLERANCES (UNLESS SPECIFIED)					
ANGULAR TOL	± 3.0 °	EMBSTP PKG FOR 0.3 FPC CONN (HGT=1.8MM) GOLD PLATING			
4 PLACES	± 0.2	PRODUCT CUSTOMER DRAWING			
3 PLACES	± 0.2	EC NO: 638770	2020/03/12	DOCUMENT NUMBER	
2 PLACES	± 0.2	DRWN: RPRABHUM	2020/07/21	5019120000	PSD 000 B
1 PLACE	± 0.2	CHK'D: GGA	2020/07/21	DOC TYPE DOC PART REVISION	
0 PLACES	± 0.2	APPR: GGA	2020/07/21	MATERIAL NUMBER CUSTOMER SHEET NUMBER	
DRAFT WHERE APPLICABLE MUST REMAIN WITHIN DIMENSIONS		THIRD ANGLE PROJECTION	DRAWING	SERIES	SEE TABLE
			A3-SIZE	501912	2 OF 4

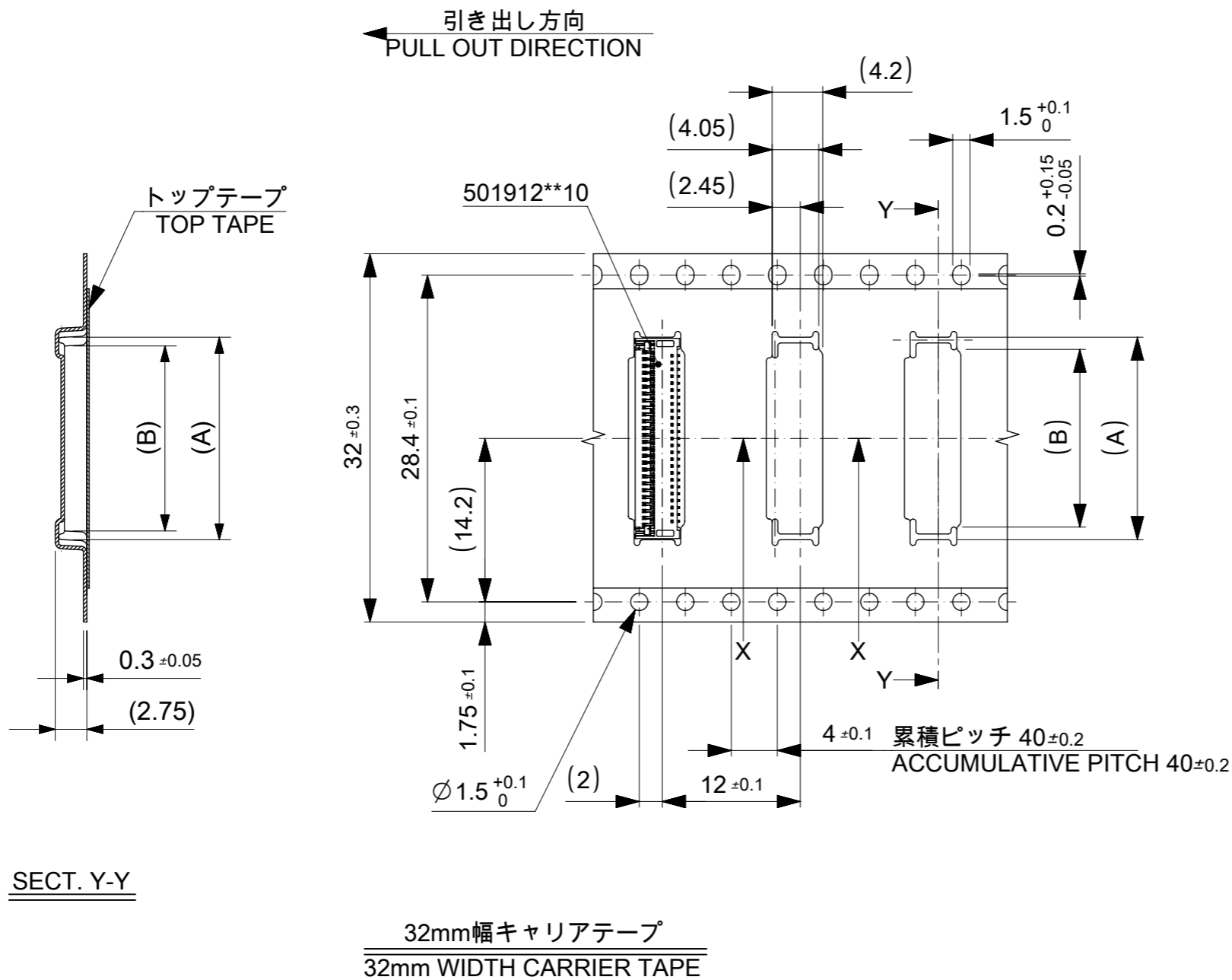


24mm幅キャリアテープ
24mm WIDTH CARRIER TAPE

24	25.5	12.4	14.6	5019124190	41	
		11.8	14.0	5019123990	39	
		11.2	13.4	5019123790	37	
		10.6	12.8	5019123590	35	
		10.0	12.2	5019123390	33	
		8.2	10.4	5019122790	27	
		7.6	9.8	5019122590	25	
		7.0	9.2	5019122390	23	
		6.4	8.6	5019122190	21	
キャリアテープ幅 CARRIER TAPE WIDTH		C	(B)	(A)	オーダー番号 ORDER NO.	極数 Ckt
501912**90				MODEL NO.		

THIS DRAWING CONTAINS INFORMATION THAT IS PROPRIETARY TO MOLEX ELECTRONIC TECHNOLOGIES, LLC AND SHOULD NOT BE USED WITHOUT WRITTEN PERMISSION

DIMENSION UNITS mm	SCALE NTS	CURRENT REV DESC: OBSOLETE PART NUMBER		molex		
GENERAL TOLERANCES (UNLESS SPECIFIED)		EC NO: 638770				
ANGULAR TOL	± 3.0 °	DRWN: RPRABHUM 2020/03/12		PRODUCT CUSTOMER DRAWING		
4 PLACES	± 0.2	CHK'D: GGA 2020/07/21		DOCUMENT NUMBER		
3 PLACES	± 0.2	APPR: GGA 2020/07/21		5019120000		DOC TYPE
2 PLACES	± 0.2	INITIAL REVISION:		2015/11/24	000	REVISION
1 PLACE	± 0.2	DRWN: SHIRATA		2016/01/05	B	
0 PLACES	± 0.2	APPR: YNOGAWA		SHEET NUMBER		
DRAFT WHERE APPLICABLE MUST REMAIN WITHIN DIMENSIONS		THIRD ANGLE PROJECTION	DRAWING	SERIES	MATERIAL NUMBER	CUSTOMER
			A3-SIZE	501912	SEE TABLE	



32	33.5	15.4	17.6	5019125190	51
		13.6	15.8	5019124590	45
キャリアテープ幅 CARRIER TAPE WIDTH	C	(B)	(A)	オーダー番号 ORDER NO.	極数 Ckt
501912**90				MODEL NO.	

THIS DRAWING CONTAINS INFORMATION THAT IS PROPRIETARY TO MOLEX ELECTRONIC TECHNOLOGIES, LLC AND SHOULD NOT BE USED WITHOUT WRITTEN PERMISSION					
DIMENSION UNITS	SCALE	CURRENT REV DESC: OBSOLETE PART NUMBER			
mm	NTS	molex			
GENERAL TOLERANCES (UNLESS SPECIFIED)		EMBSTP PKG FOR 0.3 FPC CONN (HGT=1.8MM) GOLD PLATING			
ANGULAR TOL	± 3.0 °	PRODUCT CUSTOMER DRAWING			
4 PLACES	± 0.2	EC NO: 638770	2020/03/12	DOCUMENT NUMBER	
3 PLACES	± 0.2	DRWN: RPRABHUM	2020/07/21	DOC TYPE DOC PART REVISION	
2 PLACES	± 0.2	CHK'D: GGA	2020/07/21	5019120000	PSD 000 B
1 PLACE	± 0.2	APPR: GGA	2020/07/21	MATERIAL NUMBER CUSTOMER	
0 PLACES	± 0.2	INITIAL REVISION:	2015/11/24	SHEET NUMBER	
DRAFT WHERE APPLICABLE MUST REMAIN WITHIN DIMENSIONS		DRWN: SHIRATA	2016/01/05	SEE TABLE	4 OF 4
THIRD ANGLE PROJECTION		DRAWING	SERIES	MATERIAL NUMBER CUSTOMER	
		A3-SIZE	501912	SEE TABLE	