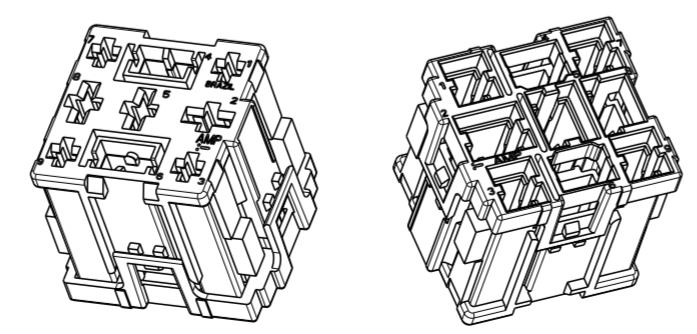
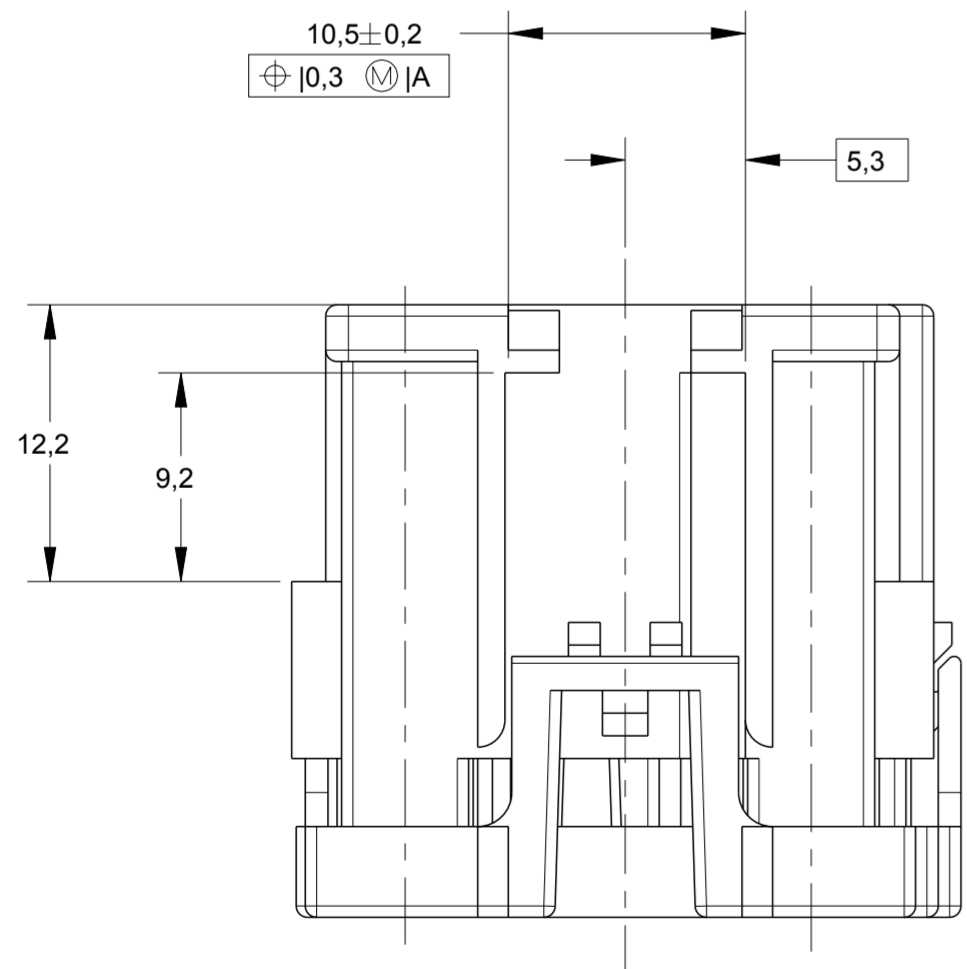
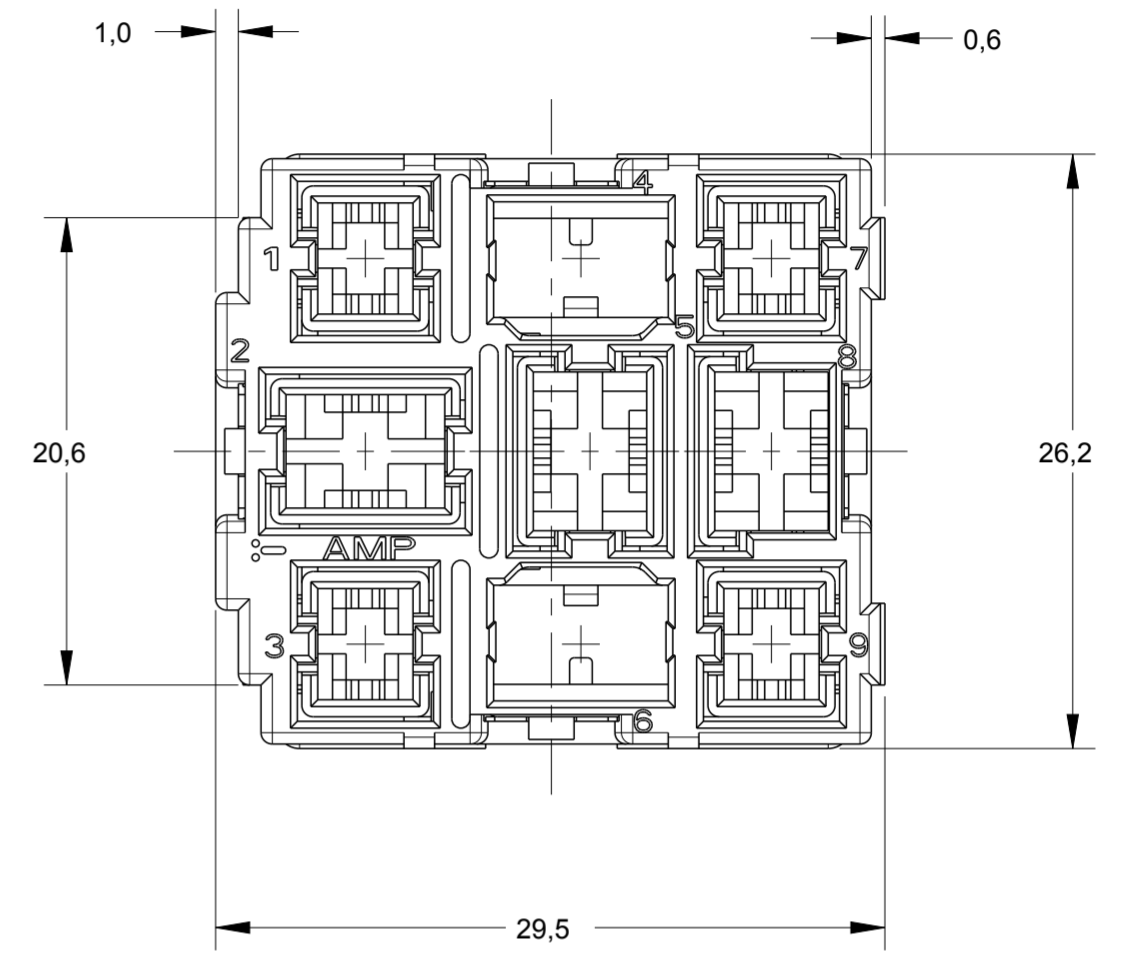
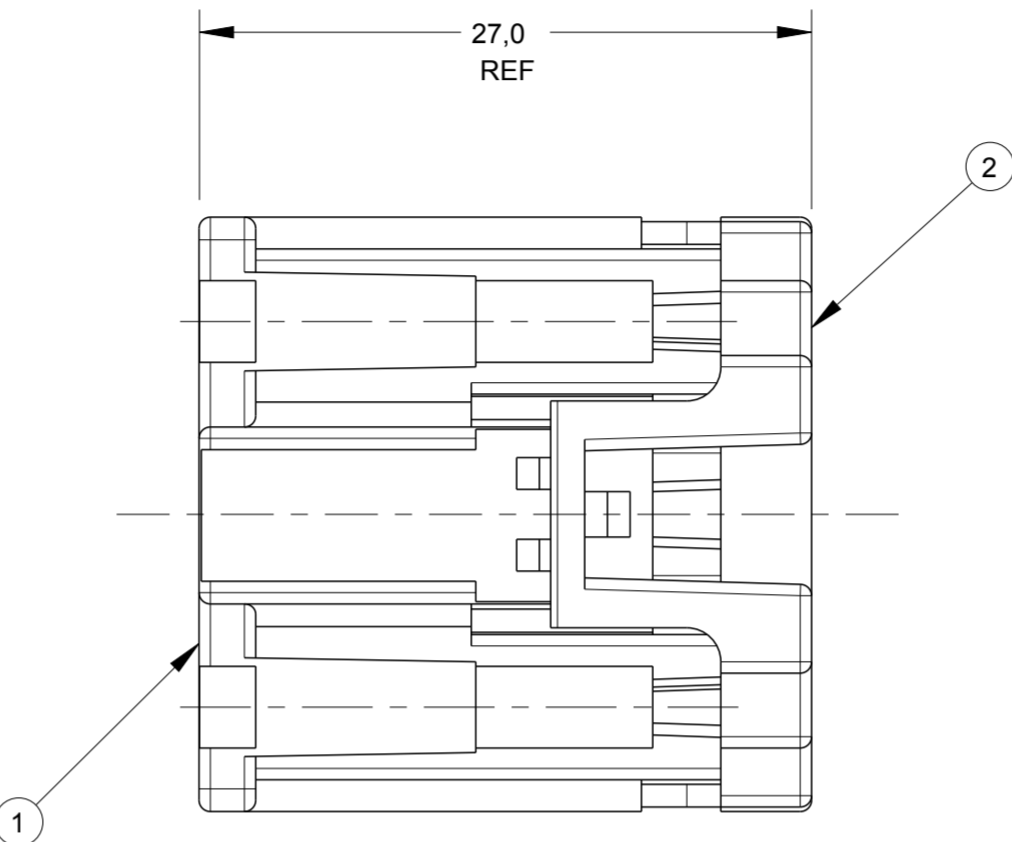
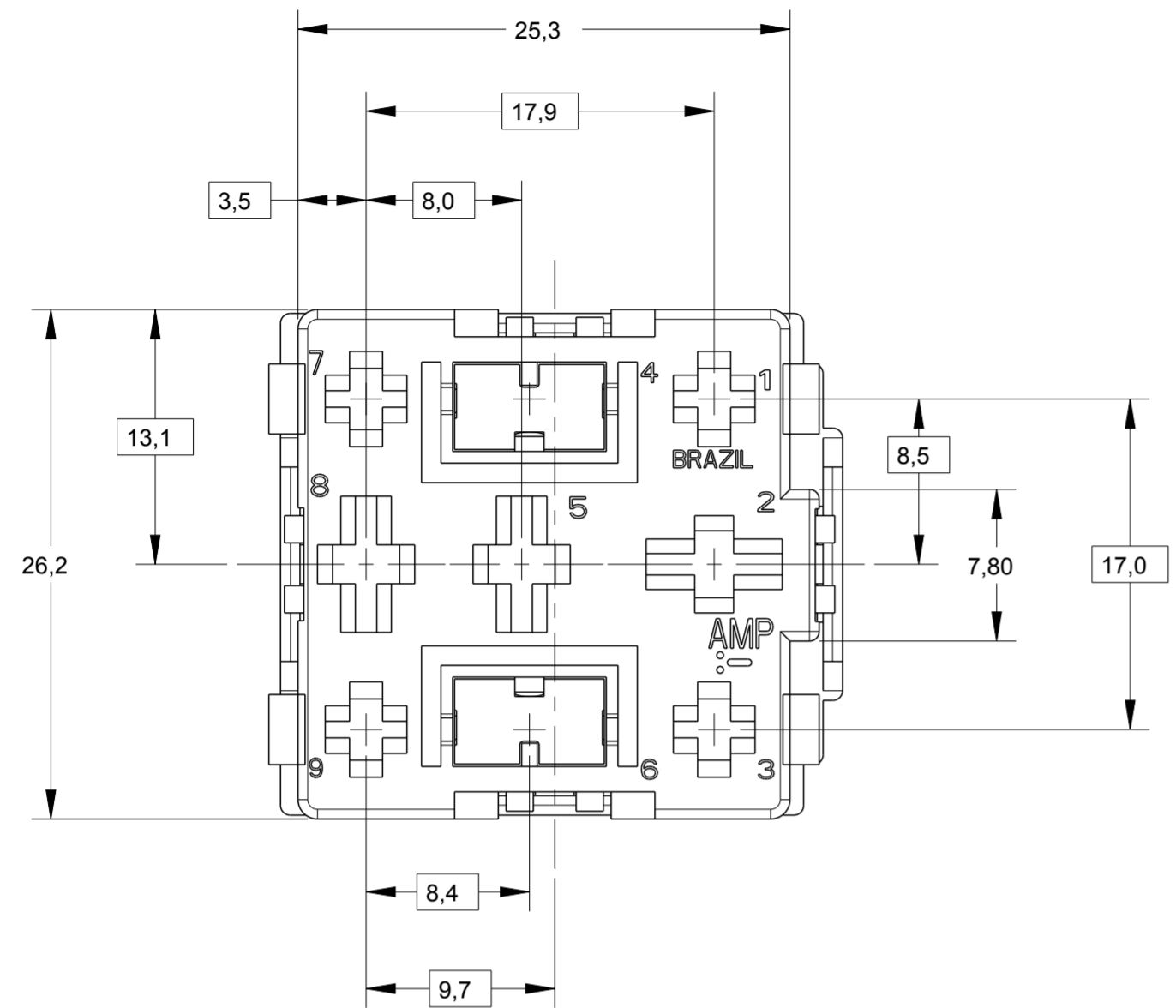


THIS DRAWING IS UNPUBLISHED. RELEASED FOR PUBLICATION 20
 © COPYRIGHT20 BY - ALL RIGHTS RESERVED.

creo
 Creo Parametric 2.0
**DO NOT REVISE
 EXCEPT BY CAD**

REVISIONS				
P	LTR	DESCRIPTION	DATE	APVD
C		REVISED DESIGN ECO-13-018731	04DEC2013	NCL GOJ



PERSPECTIVE VIEWS
 SCALE 1:1

1	1	1	1	1	1	1	1	1	1	1	1	2	DESCRIPTION	MATERIAL	FINISH	
1	-	-	-	-	-	-	-	-	-	-	-	1	COVER CAP	PA6-20%GB+10%GF	VIOLETA / VIOLET	
-	1	-	-	-	-	-	-	-	-	-	-	1	HOUSING,9 POSN.,COMB.JR/STD POWER TIMER	PA6.6+15%GF	NATURAL	
-	-	1	-	-	-	-	-	-	-	-	-	1	HOUSING,9 POSN.,COMB.JR/STD POWER TIMER	PA6.6+15%GF	LARANJA /ORANGE	
-	-	-	1	-	-	-	-	-	-	-	-	1	HOUSING,9 POSN.,COMB.JR/STD POWER TIMER	PA6.6+15%GF	ROSA / PINK	
-	-	-	-	1	-	-	-	-	-	-	-	1	HOUSING,9 POSN.,COMB.JR/STD POWER TIMER	PA6.6+15%GF	VIOLETA / VIOLET	
-	-	-	-	-	1	-	-	-	-	-	-	1	HOUSING,9 POSN.,COMB.JR/STD POWER TIMER	PA6.6+15%GF	CINZA / GRAY	
-	-	-	-	-	-	1	-	-	-	-	-	1	HOUSING,9 POSN.,COMB.JR/STD POWER TIMER	PA6.6+15%GF	VERDE / GREEN	
-	-	-	-	-	-	-	1	-	-	-	-	1	HOUSING,9 POSN.,COMB.JR/STD POWER TIMER	PA6.6+15%GF	BRANCO / WHITE	
-	-	-	-	-	-	-	-	1	-	-	-	1	HOUSING,9 POSN.,COMB.JR/STD POWER TIMER	PA6.6+15%GF	AZUL / BLUE	
-	-	-	-	-	-	-	-	-	1	-	-	1	HOUSING,9 POSN.,COMB.JR/STD POWER TIMER	PA6.6+15%GF	AMARELO / YELLOW	
-	-	-	-	-	-	-	-	-	-	1	-	1	HOUSING,9 POSN.,COMB.JR/STD POWER TIMER	PA6.6+15%GF	VERMELHO / RED	
-	-	-	-	-	-	-	-	-	-	-	1	1	HOUSING,9 POSN.,COMB.JR/STD POWER TIMER	PA6.6+15%GF	MARROM / BROWN	
-	-	-	-	-	-	-	-	-	-	-	-	1	1	HOUSING,9 POSN.,COMB.JR/STD POWER TIMER	PA6.6+15%GF	PRETO / BLACK

QUANTIDADE POR CONJUNTO / REQUIRED PER ASSY

1--2	1--1	1--0	-9	-8	-7	-6	-5	-4	-3	-2	-1	ITEM	DESCRIPTION	MATERIAL	FINISH
444017															

THIS DRAWING IS A CONTROLLED DOCUMENT.

DIMENSIONS:	TOLERANCES UNLESS OTHERWISE SPECIFIED:	DWN 04OCT2000 H.LIVERARO	04OCT2000
mm	0 PLC ± 1 PLC ±0,3 2 PLC ± 3 PLC ± 4 PLC ±	CHK P.L.FARIA 05OCT2000	05OCT2000
	ANGLES ±1°	APVD J.A.MARSON 05OCT2000	05OCT2000
MATERIAL	FINISH	PRODUCT SPEC	APPLICATION SPEC
SEE TABLE	-	108-37013	-
		WEIGHT	-
		CUSTOMER DRAWING	-

TE Connectivity

NAME: -
 HSG.,ASSY.,9 POSN.
 COMB. JR.,STD POWER TIMER

SIZE: A2 CAGE CODE: - DRAWING NO: C-444017 RESTRICTED TO: -

SCALE: 3:1 SHEET 1 OF 1 REV C

Mouser Electronics

Authorized Distributor

Click to View Pricing, Inventory, Delivery & Lifecycle Information:

[TE Connectivity:](#)

[444017-1](#)