

AT-CUT CRYSTAL UNIT (SMD · Metal-can Type)

RoHS compliant

HCM49

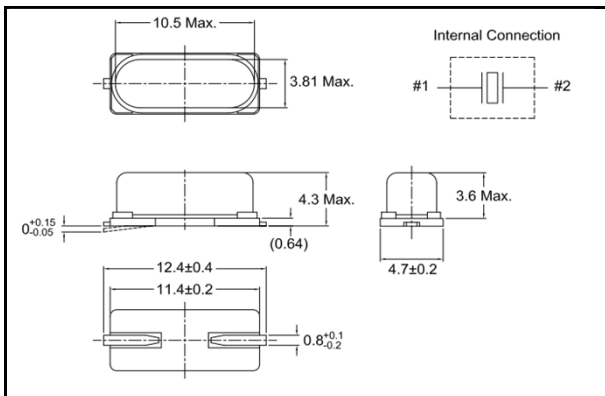
1,000pcs/reel



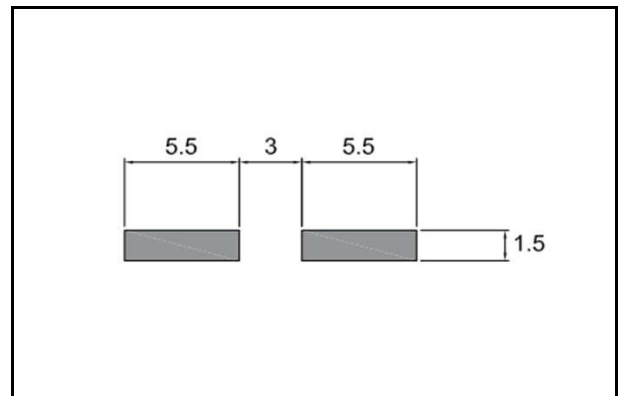
■ FEATURES

- Frequency range : 3.5 ~ 50.0MHz
- External dimensions (mm)
L : 11.4 x W : 4.7 x H : 4.3
- Applications
Consumer products

■ DIMENSION [mm]



■ SOLDER PAD LAYOUT [mm]



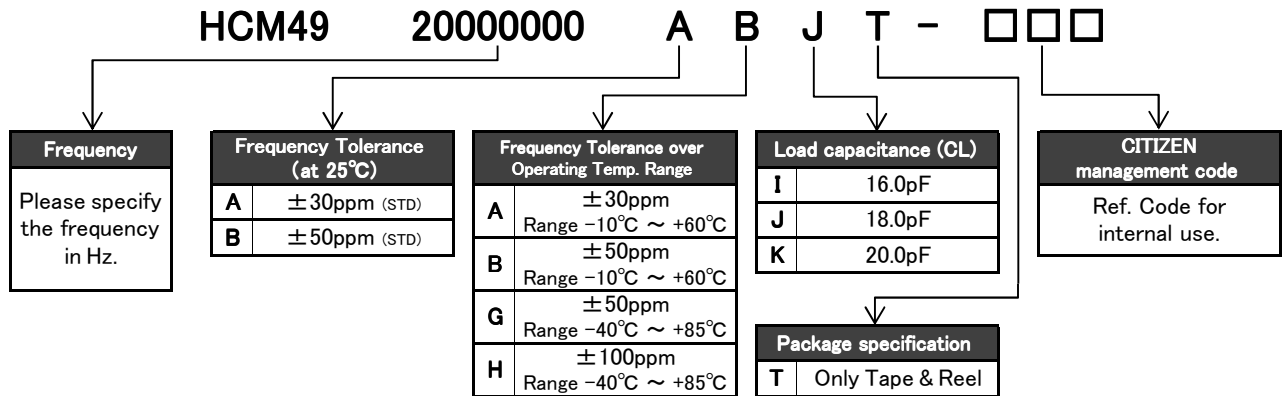
■ STANDARD SPECIFICATIONS

| Item | Model | HCM49 | Conditions |
|--|----------------|--|---|
| Nominal Frequency | f_0 | 3.5MHz ~ 30.0MHz (Fundamental) 30.0MHz ~ 50.0MHz (3rd Overtone) | Please contact us for frequencies available |
| Frequency Tolerance | $\Delta f/f_0$ | ±30ppm | at 25°C |
| Frequency Tolerance over Operating Temperature Range | $\Delta f/f_0$ | below 6.0MHz: ±50ppm above 6.0MHz: ±30ppm | -10°C ~ +60°C |
| Operating Temperature Range | T_{OPR} | -40°C ~ +85°C | |
| Storage Temperature Range | T_{STR} | -55°C ~ +125°C | |
| Motional (series) resistance | R_1 | Refer to the following table | at 25°C |
| Load capacitance | C_L | Fundamental: 10.0pF ~ ∞ 3rd Overtone: 5.0pF ~ ∞ | Please specify your requirement |
| Shunt capacitance | C_0 | 7.0pF Max. | |
| Level of drive | D_L | 100 μW | |
| Insulation Resistance | I_R | 500MΩ Min. | DC100V ± 15V |
| Aging (first year) | $\Delta f/f_0$ | ±5ppm Max. | 25°C ± 3°C |

■ MOTIONAL (SERIES) RESISTANCE (R₁)

| Freq. Range (MHz) | 3.5 ≤ f ₀ < 4.0 | 4.0 ≤ f ₀ < 6.0 | 6.0 ≤ f ₀ < 10.0 | 10.0 ≤ f ₀ < 14.0 | 14.0 ≤ f ₀ < 30.0 | 30.0 ≤ f ₀ < 36.0 | 36.0 ≤ f ₀ ≤ 50.0 |
|-------------------|----------------------------|----------------------------|-----------------------------|------------------------------|------------------------------|------------------------------|------------------------------|
| Mode | Fundamental | Fundamental | Fundamental | Fundamental | Fundamental | 3rd Overtone | 3rd Overtone |
| R ₁ | 200Ω Max. | 150Ω Max. | 100Ω Max. | 80Ω Max. | 50Ω Max. | 140Ω Max. | 100Ω Max. |

■ PART NUMBERING SYSTEM



*Please contact us for specifications available.

■ Part Marking [standard]

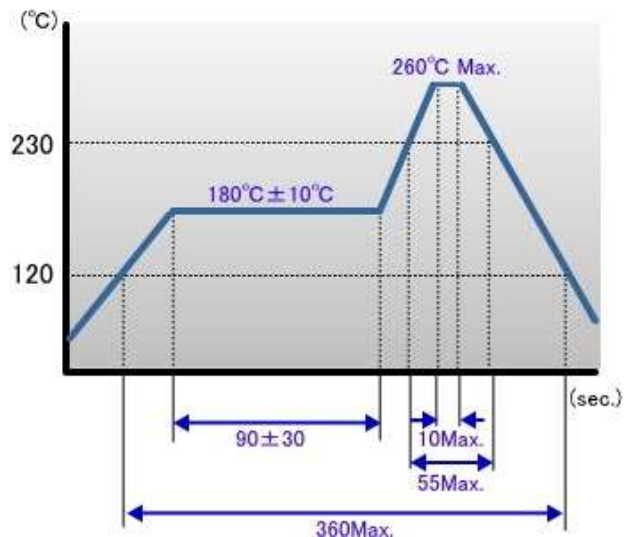


- f : The first 4 digits of Frequency including the decimal point
- C : Manufacture's ID Code
- y : The last digit of production year
- m : Production month (See Table.1)

Table.1

| Month | Jan | Feb | ... | Sep | Oct | Nov | Dec |
|-------|-----|-----|-----|-----|-----|-----|-----|
| Code | 1 | 2 | ... | 9 | X | Y | Z |

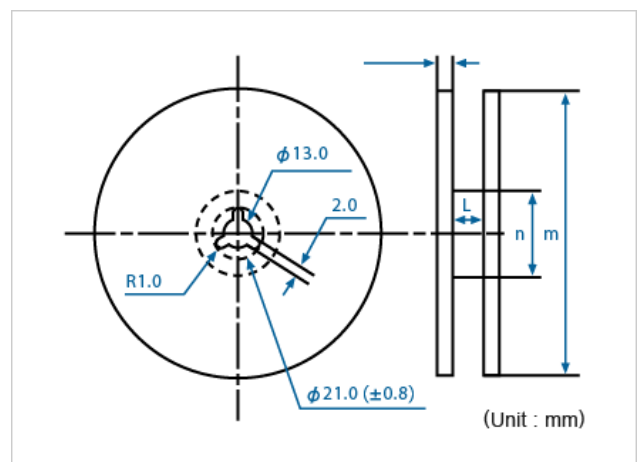
■ Reflow profile



■ Packing



Conforming to JIS C 0806 TB1208NEIAJ and RC-1009B TE1208N



Conforming to JIS C 0806 R12R and EIAJ RC-1009B R15

| Q'ty/reel | a | b | c | d (φ) | e | f | g | h | j | k | l | m (φ) | n (φ) |
|-----------|------|------|------|-------|------|-----|-----|----|-----|----|------|-------|-------|
| 1,000 | 24.0 | 11.5 | 12.0 | 2.0 | 14.1 | 0.4 | 4.2 | 5° | 6.5 | 5° | 25.5 | 330 | 80 |

Product specifications are subject to change without notice.

Rev.2

Mouser Electronics

Authorized Distributor

Click to View Pricing, Inventory, Delivery & Lifecycle Information:

Citizen:

[HCM49-3.6864MABJ-UT](#) [HCM49-25.000MABJ-UT](#) [HCM49-6.144MABJ-UT](#) [HCM49-17.734475MABJ-UT](#) [HCM49-10.240MABJ-UT](#) [HCM49-15.360MABJ-UT](#) [HCM49-13.500MABJ-UT](#) [HCM49-27.000MABJ-UT](#) [HCM49-24.576MABJ-UT](#) [HCM49-4.096MABJ-UT](#) [HCM49-16.000MABJ-UT](#) [HCM49-9.000MABJ-UT](#) [HCM49-48.000MABJ-UT](#) [HCM49-9.216MABJ-UT](#) [HCM49-16.384MABJ-UT](#) [HCM49-14.31818MABJ-UT](#) [HCM49-5.5296MABJ-UT](#) [HCM49-14.7456MABJ-UT](#) [HCM49-4.194304MABJ-UT](#) [HCM49-30.000MABJ-UT](#) [HCM49-7.680MABJ-UT](#) [HCM49-11.2896MABJ-UT](#) [HCM49-16.5270MABJ-UT](#) [HCM49-15.000MABJ-UT](#) [HCM49-32.000MABJ-UT](#) [HCM49-8.192MABJ-UT](#) [HCM49-50.000MABJ-UT](#) [HCM49-28.224MABJ-UT](#) [HCM49-8.000MABJ-UT](#) [HCM49-18.432MABJ-UT](#) [HCM49-10.000MABJ-UT](#) [HCM49-7.3728MABJ-UT](#) [HCM49-49.152MABJ-UT](#) [HCM49-32.768MABJ-UT](#) [HCM49-20.000MABJ-UT](#) [HCM49-16.000MABJ-UB](#) [HCM49-11.0592MABJ-UT](#) [HCM49-12.000MABJ-UT](#) [HCM49-19.6608MABJ-UT](#) [HCM49-24.000MABJ-UT](#) [HCM49-29.4912MABJ-UT](#) [HCM49-18.000MABJ-UT](#) [HCM49-5.000MABJ-UT](#) [HCM49-3.579545MABJ-UT](#) [HCM49-4.9152MABJ-UT](#) [HCM49-9.8304MABJ-UT](#) [HCM49-40.000MABJ-UT](#) [HCM49-12.288MABJ-UT](#) [HCM49-4.000MABJ-UT](#) [HCM49-22.1184MABJ-UT](#) [HCM49-6.000MABJ-UT](#) [HCM49-12.288MBBIUT](#) [HCM49-14.31818MABKUT](#) [HCM49-14.7456MBBIUT](#) [HCM49-16.000MABKUT](#) [HCM49-16.000MBBIUT](#) [HCM49-16.384MBBIUT](#) [HCM49-20.000MBBIUT](#) [HCM49-20.480MBBCUT](#) [HCM49-24.000MBBIUT](#) [HCM49-25.000MBBIUT](#) [HCM49-28.224MABJUT](#) [HCM49-3.579545MABKUT](#) [HCM49-4.194304MBBJUT](#) [HCM49-4.9152MABKUT](#) [HCM49-6.144MBBIUT](#) [HCM49-9.8304MBBJUT](#) [HCM49-16.000MDAQ-UT](#) [HCM49-11.0592MCCN-UT](#) [HCM49-3.6864MABJ-UB](#) [HCM49-19.6608MABL-UT](#) [HCM49-19.6608MBBE-UT](#) [HCM49-6.000MAAN-UT](#) [HCM49-41.600-MDGQ-UT](#) [HCM49-11.0592MAHK-UT](#) [HCM49-14.31818MBBK-UT](#) [HCM49-3.6864MABJ-T](#) [HCM49-16.2570MABJ-UT](#) [HCM4936864000ABJT](#) [HCM494000000ABJT](#) [HCM496000000ABJT](#) [HCM4973728000ABJT](#) [HCM498000000ABJT](#) [HCM4925000000ABJT](#) [HCM4910000000ABJT](#) [HCM4912000000ABJT](#) [HCM4914745600ABJT](#) [HCM4916000000ABJT](#) [HCM4920000000ABJT](#) [HCM4924000000ABJT](#) [HCM49196608000ABLT](#) [HCM49110592000CCNT](#) [HCM4911059200AHKT](#) [HCM4911289600ABJT](#) [HCM4912288000ABJT](#) [HCM4912288000BBIT](#) [HCM4949152000ABKT](#) [HCM4916384000ABJT](#) [HCM4916384000BBIT](#) [HCM4916527000ABJT](#)