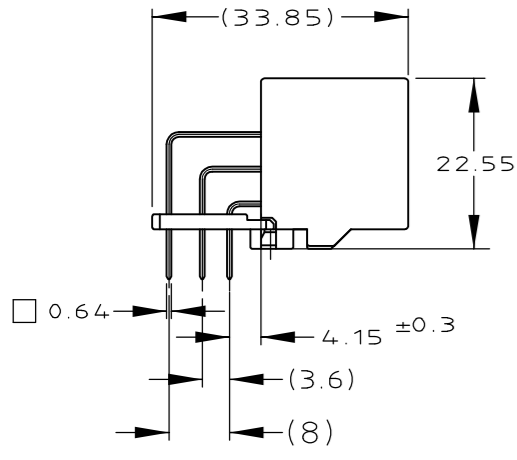
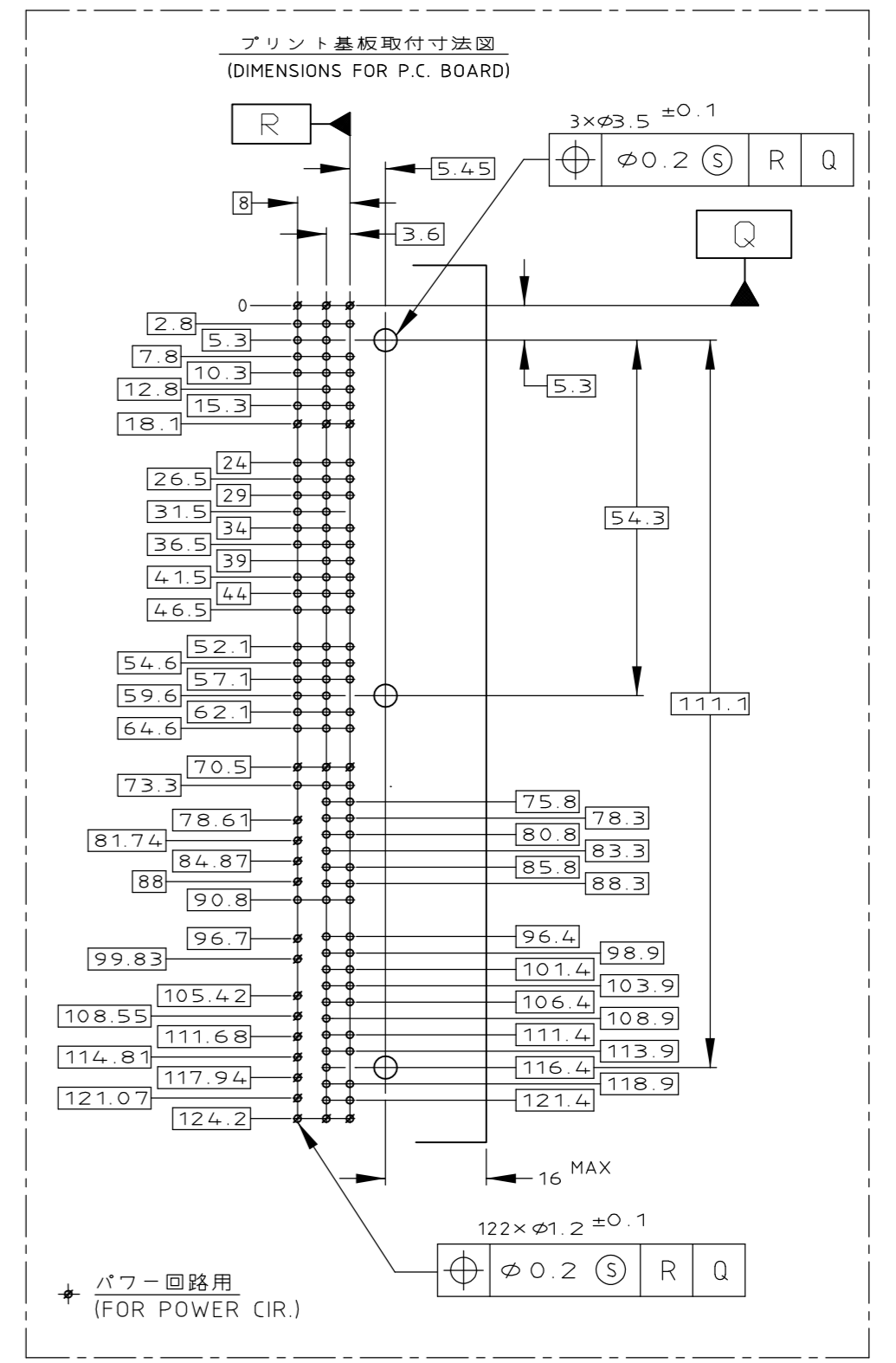
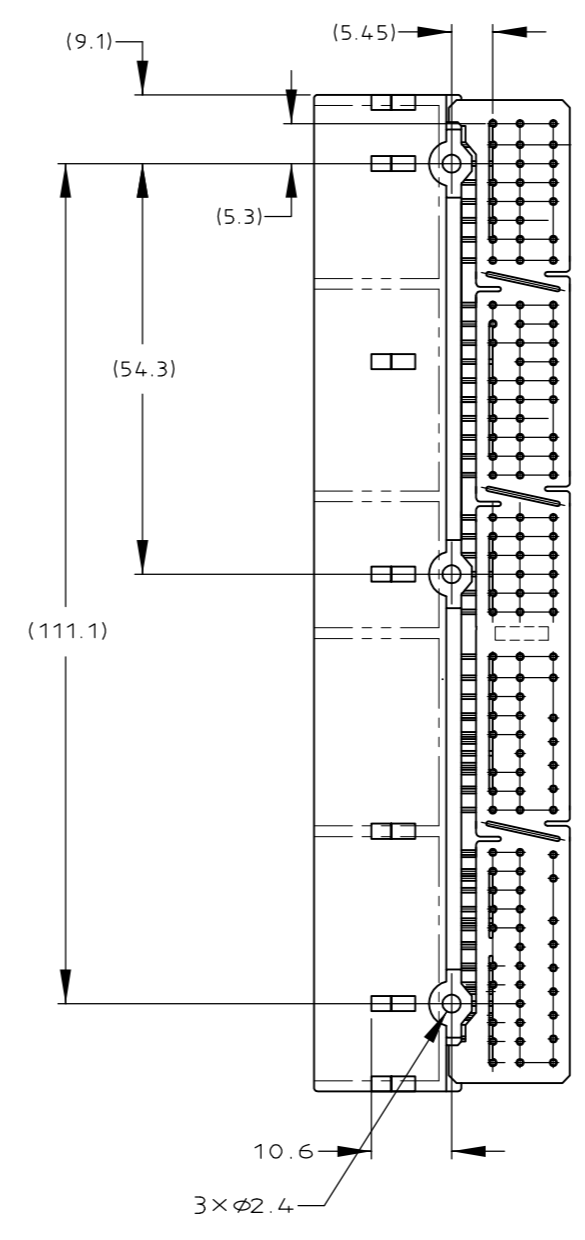
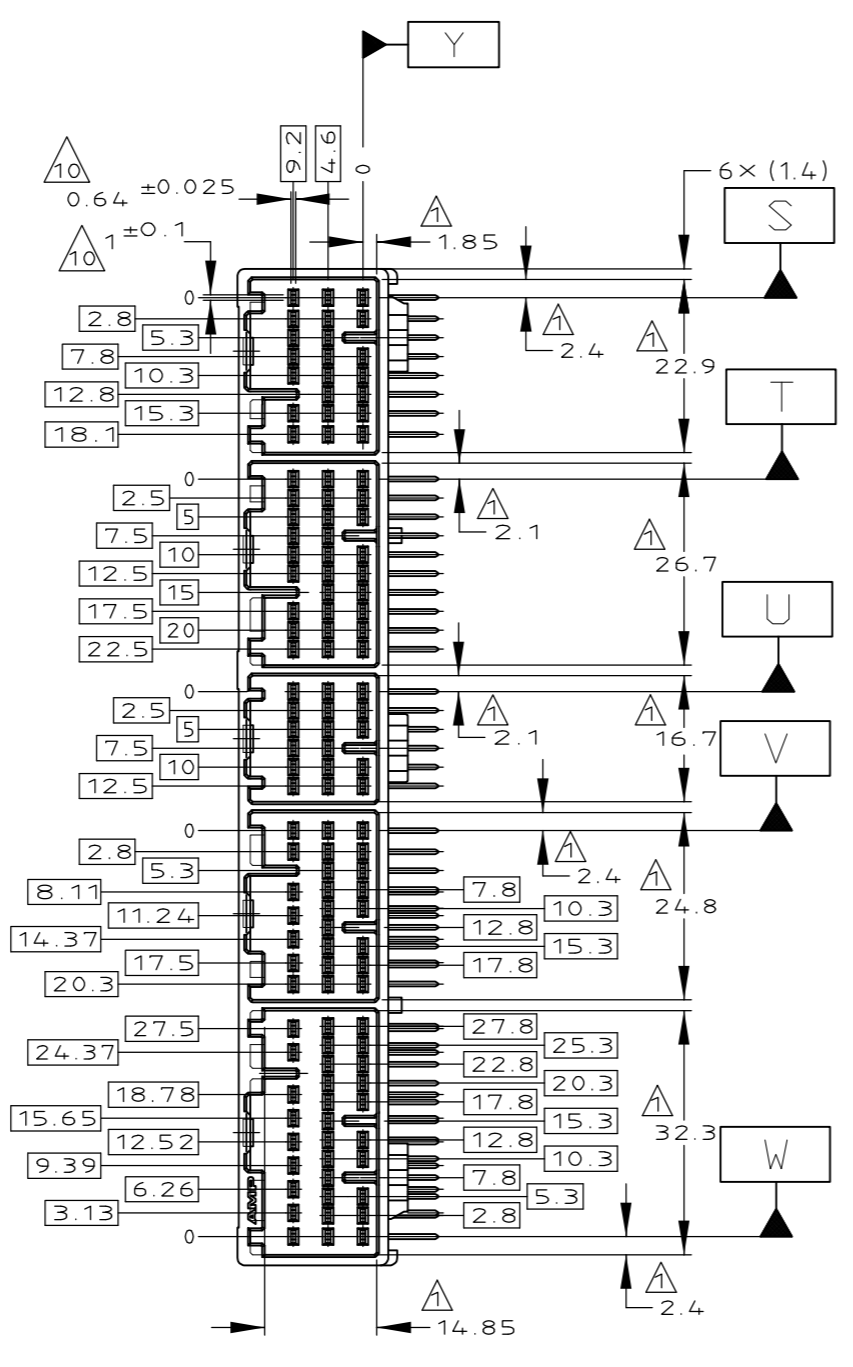
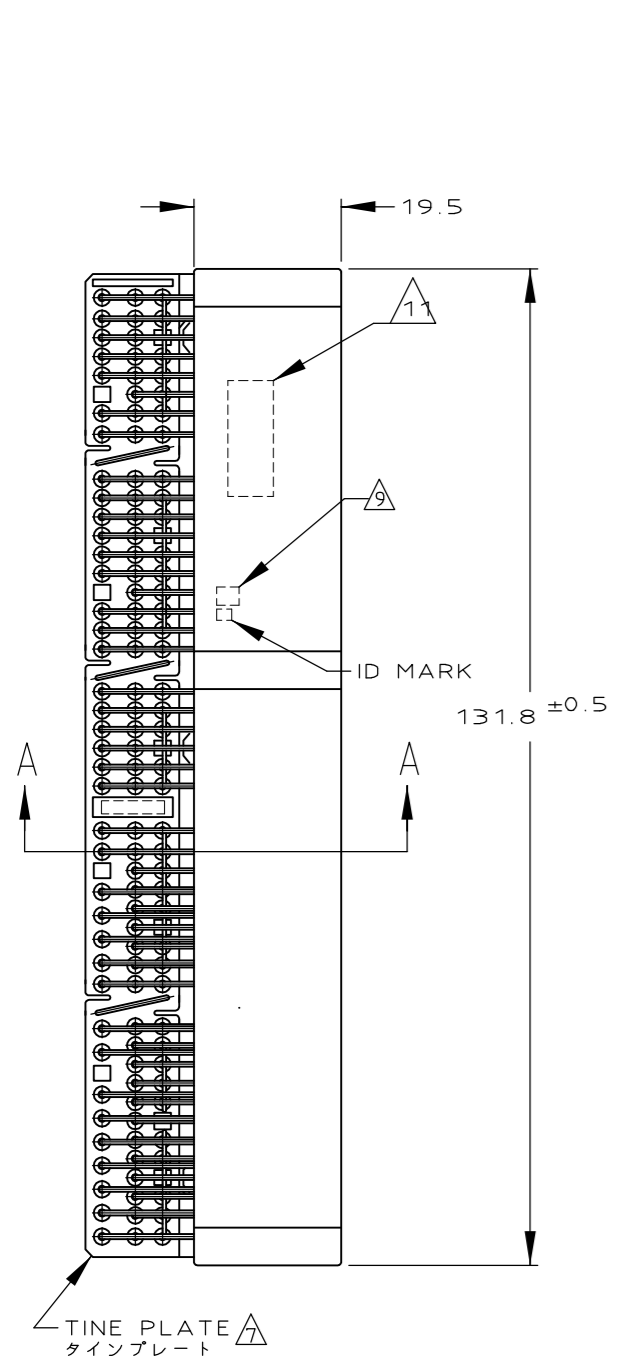
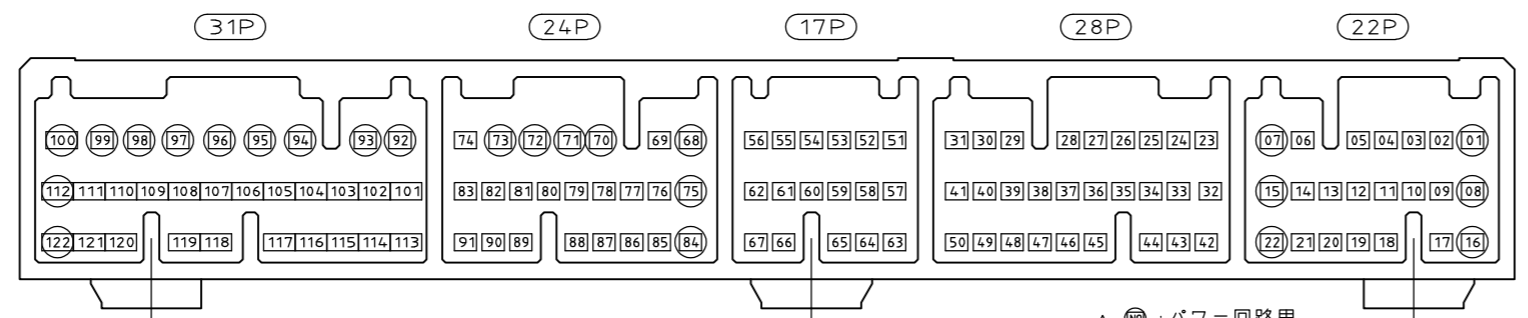
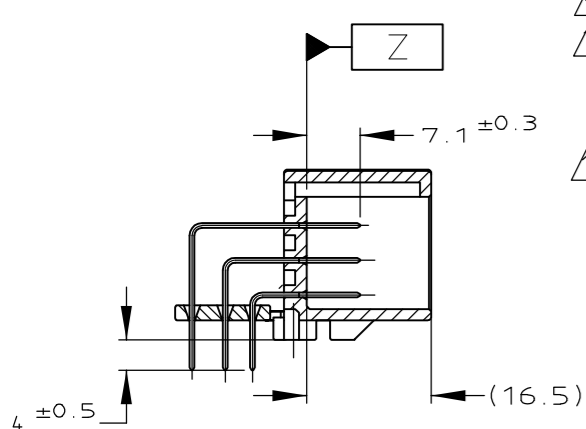


REVISIONS					
P	LTR	DESCRIPTION	DATE	DWN	APVD
J2	REVISED	変更 ECR-16-003435	02JUN2017	KF	TK



△ Z面より7.5mmの位置で測定
 △ パワ-回路(24極); FIG 1参照
 △ 回路番号; FIG 1参照
 4. 嵌合相手ハウジング型番
 17P; 353027, 22P;353028, 24P;353029
 28P; 353030, 31P; 353031
 5. 推奨取付ねじ: JIS B1115、B1122タッピング
 ねじ、なべ2種、呼び径3、長さ6以下
 6. ねじ締付トルク: 0.392N・m MAX
 △ タインプレートの色は、自然色
 △ 外箱は段ボール箱仕様
 △ コンタクト仕上識別用マーク; 表参照
 △ 0.4(Z)Y(DTM) , ただし、
 TOP OF POST
 3次DTMについては、[S]、[T]、[U]、[V]、[W]
 を各々のブロック毎に適用する
 △ 製造DATE CODEが印字される可能性がある。

△ MEASURED AT THE SECTION 7.5mm FROM Z.
 △ POWER CIRCUITS (24); SEE FIG 1
 △ CIRCUIT NUMBERS; SEE FIG 1
 4. PART NO OF PLUG HOUSINGS TO BE MATED
 17P; 353027, 22P;353028, 24P;353029
 28P; 353030, 31P; 353031
 5. RECOMMENDED SCREW: PAN-HEADED,
 TYPE 2 TAPPING SCREW
 OF 3DIA X 6LEN(MAX) (JIS B1115, B1122).
 6. FASTENING TORQUE FOR SCREW: 0.392N・m MAX.
 △ TINE PLATE COLOR; NATURAL
 △ OUTER PACKING; CARTON BOX
 △ MARKING FOR DISCERNMENT OF THE CONTACTS FINISH;
 SEE TABLE
 △ 0.4(Z)Y(DTM) ,
 TOP OF POST
 TO BE POSSIBLE TO MARK MANUFACTURING DATE
 CODE LOCATED APPROXIMATELY AS SHOWN.



△ FIG 1 CIRCUIT NUMBERS △ : パワ-回路用 (FOR POWER CIRCUIT)

PRODUCT SPEC	記号	色	半田付け部	接触部側	金めっき回路NO.	色	型番	
製品規格	MARKING	COLOR	SOLDERING SIDE	CONTACT SIDE	AU CIRCUIT NO.	(COLOR)	(PART NO)	
108-5529	58	WHITE	SELECTIVE-TIN (MATTE)	SELECTIVE GOLD × 122	1~122	BLACK	5353015-2	
	SEE 2-5353015-1 (2-5353015-1参照)							9-5353015-1
	58	(無色) COLORLESS	SELECTIVE-TIN (MATTE)	SELECTIVE GOLD × 122	1~122	NATURAL	8-5353015-1	
108-5529	52	BLACK	SELECTIVE-TIN (MATTE)	SELECTIVE GOLD × 62	4-6,10-14,17-21,30,32,36,40,41,43-45,47,49,50,54,55,60,61,65,67,69,76-83,85-91,101-109,113-119	NATURAL	2-5353015-1	
				SELECTIVE TIN(BRIGHT) × 60				
108-5529	10	(無色) COLORLESS	SELECTIVE-TIN (MATTE)	SELECTIVE GOLD × 122	1~122	BLACK	353015-4	
108-5673	11	(無色) COLORLESS	PRE-TIN × 122	-	-	NATURAL	353015-3	

THIS DRAWING IS A CONTROLLED DOCUMENT.

DWN: N.YASUDA 25DECOO
 CHK: N.SAI 25DECOO
 APVD: N.SAI 25DECOO

TE Connectivity

040 III HIGH DENSITY CONNECTOR
 122P CAP HOUSING ASSY

114-5217
 WEIGHT: 40.91 g
 SCALE: 1:1 SHEET: 1 of 1 REV: J2

Mouser Electronics

Authorized Distributor

Click to View Pricing, Inventory, Delivery & Lifecycle Information:

[TE Connectivity:](#)

[8-5353015-1](#)