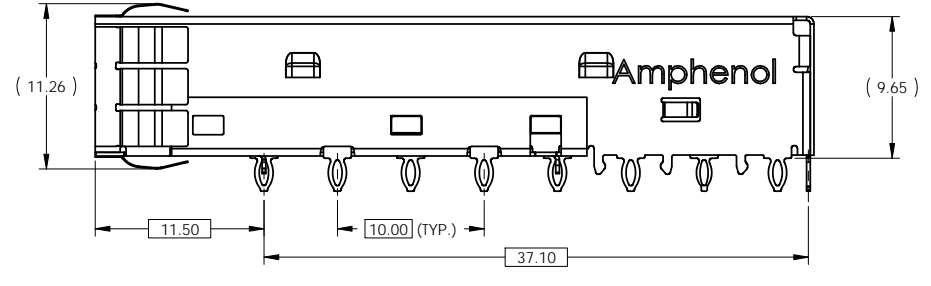
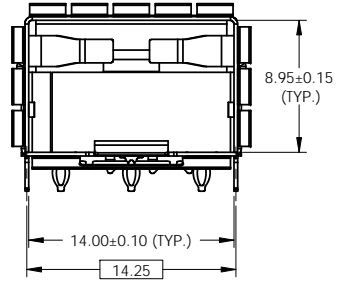
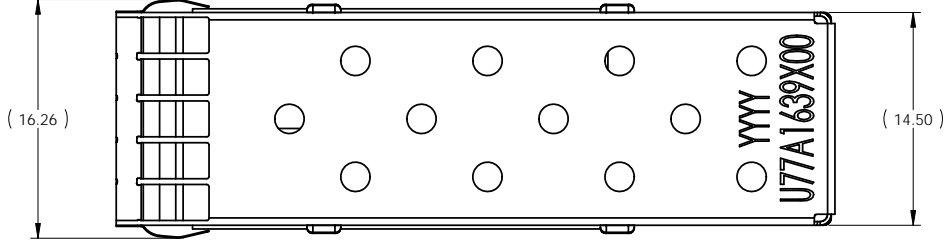
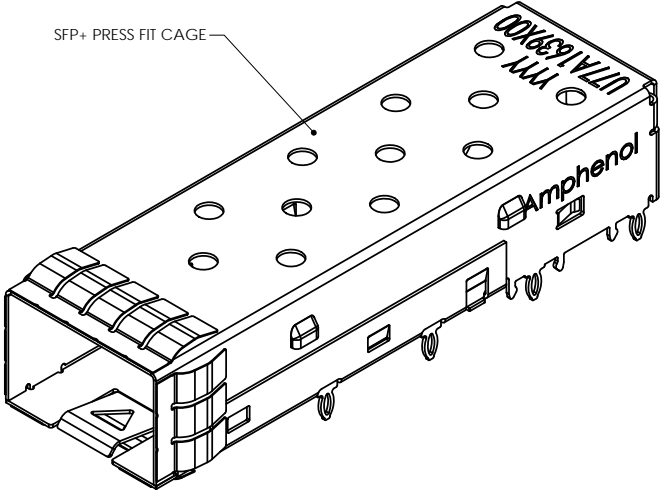


8 7 6 5 4 3 2 1

REVISIONS			
REV	DESCRIPTION	DATE	APPRD
A	PROPOSAL	AUG27/09	
B	PROPOSAL	MAY 6'11	J.SI



MATERIAL:
 CAGE: COPPER ALLOY.
PLATING:
 PLATING OPTION 2: 2.54 μm [100 μ"] NICKEL PLATING.
 PLATING OPTION 3: 2.54 - 7.62 μm [100 - 300 μ"]
 MATTE TIN PLATING OVER 1.27 μm [50 μ"] NICKEL.
PACKAGING: TRAY PACKAGING.
 TEMPERATURE RANGE: -40°C TO 85°C.

AMPHENOL PART NUMBER CONFIGURATION

U77-A1639-X001

CAGE PLATING:
 2 = NICKEL
 3 = MATTE TIN

PACKAGING:
 1 = TRAY PACKAGING

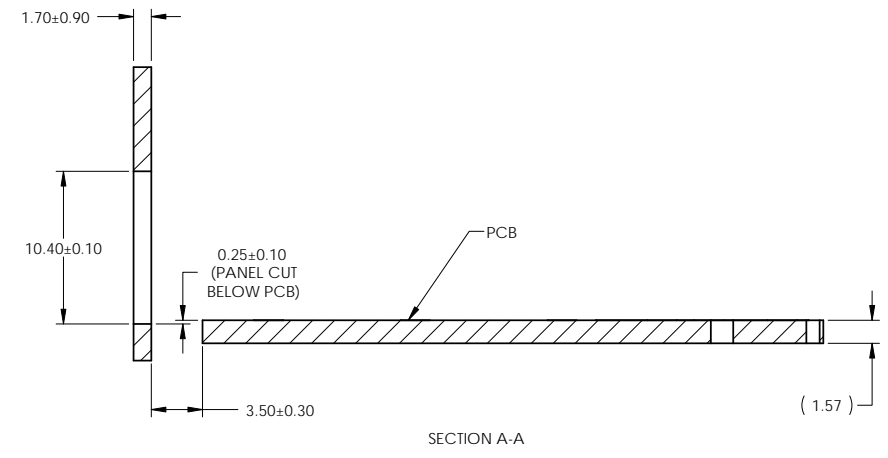
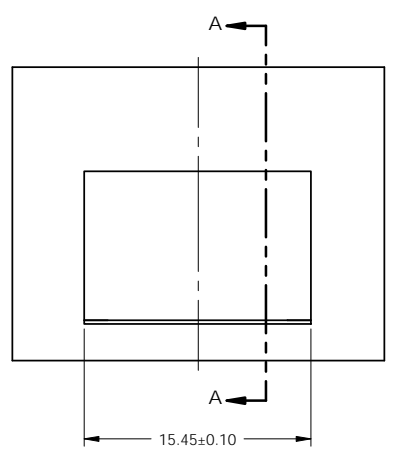
DO NOT SCALE DRAWING

THIS DOCUMENT CONTAINS PROPRIETARY INFORMATION AND SUCH INFORMATION MAY NOT BE DISCLOSED TO OTHERS FOR ANY PURPOSE OR USED FOR MANUFACTURING PURPOSES WITHOUT PERMISSION FROM AMPHENOL CANADA CORP.

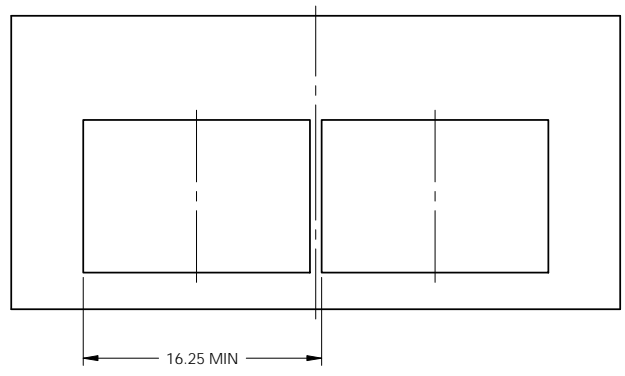
<small>UNLESS OTHERWISE SPECIFIED DIMENSIONS ARE IN MILLIMETERS TOLERANCES ARE:</small> DECIMALS: X.X ± 0.15 X.XX ± 0.10 <small>ANGLES: ± 0.5°</small>	APPROVALS	DATE	Amphenol Canada Corp.	
	DRAWN: H.SONG	AUG26/09	TITLE	
	DESIGNED:		1X1 SFP+ CAGE, SPRING FINGER GASKET WITH LATCH FOR LIGHT PIPE	
	CHECKED: J.SI	AUG27/09		
MATERIAL AND FINISH	CA APPD			
REF.	E APPD		SIZE: A3	DWG. NO.: P-U77-A1639-X001
CODE IDENT. NO.: 03554	DWG APPD		SCALE: 3:1	PROJECT: B
				SHEET 1 OF 3

8 7 6 5 4 3 2 1

REVISIONS			
REV	DESCRIPTION	DATE	APPRD
A	PROPOSAL	AUG27/09	
B	PROPOSAL	MAY 6'11	J.SI



RECOMMENDED BEZEL DESIGN



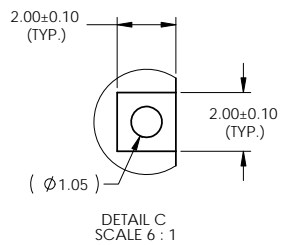
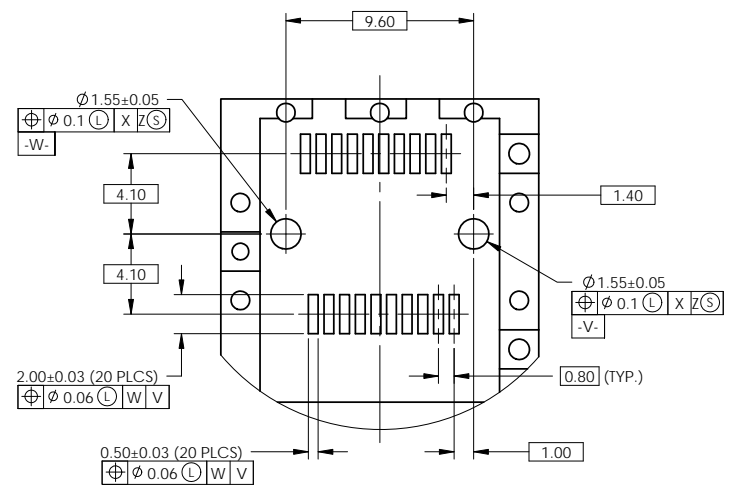
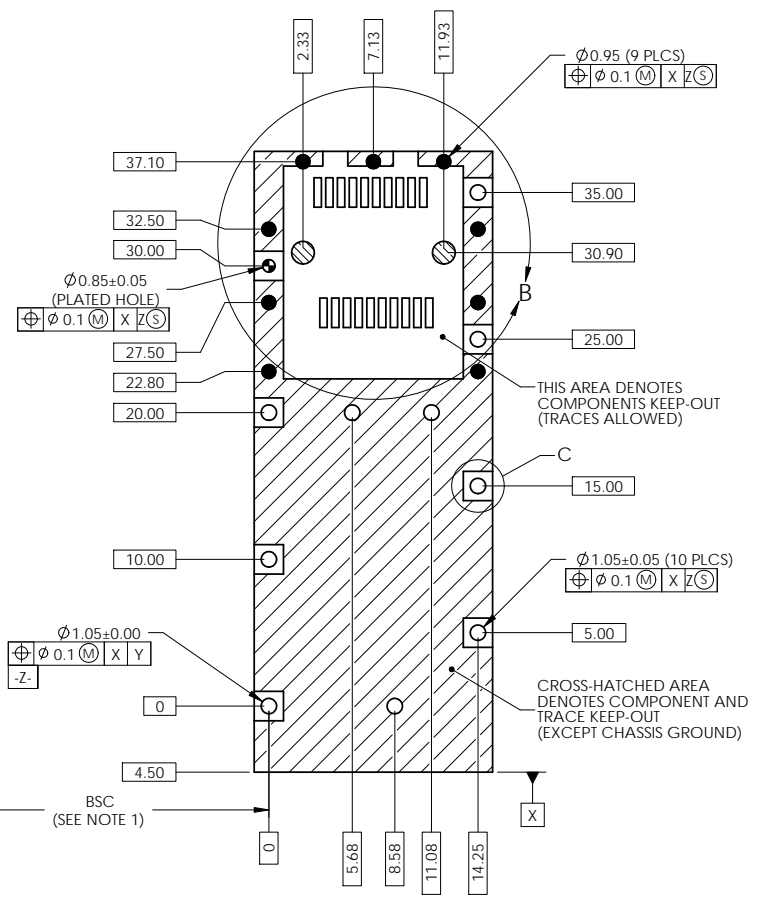
DO NOT SCALE DRAWING
 THIS DOCUMENT CONTAINS PROPRIETARY INFORMATION AND SUCH INFORMATION MAY NOT BE DISCLOSED TO OTHERS FOR ANY PURPOSE OR USED FOR MANUFACTURING PURPOSES WITHOUT PERMISSION FROM AMPHENOL CANADA CORP.

UNLESS OTHERWISE SPECIFIED DIMENSIONS ARE IN MILLIMETERS TOLERANCES ARE:		APPROVALS		DATE		Amphenol Canada Corp.	
DECIMALS X.X ± 0.15 X.XX ± 0.10		ANGLES ± 0.5°		DRAWN H.SONG		AUG26/09	
MATERIAL AND FINISH		CHECKED J.SI		AUG27/09		TITLE 1X1 SFP+ CAGE, SPRING FINGER GASKET WITH LATCH FOR LIGHT PIPE	
REF.		E APPD		SCALE A3		SIZE DWG. NO. P-U77-A1639-X001	
CODE IDENT. NO. 03554		DWG APPD		SCALE 3:1		PROJECT SHEET 2 OF 3	

NOTES:
 1. DATUM AND BASIC DIMENSIONS ESTABLISHED BY CUSTOMER.
 2. PADS AND VIAS ARE CHASSIS GROUND.
 3. THRU-HOLES PLATING OPTIONAL.
 4. SEE DRAWING P-U76-A20-X00XX FOR CONNECTOR LAYOUT.

HOLE SIZES
 ⦿ $\phi 1.55$
 ○ $\phi 1.05$
 ● $\phi 0.95$
 ⊕ $\phi 0.85$

REVISIONS			
REV	DESCRIPTION	DATE	APPRD
A	PROPOSAL	AUG27/09	
B	PROPOSAL	MAY 6'11	J.SI



DETAIL B
SCALE 4 : 1

DETAIL C
SCALE 6 : 1

DO NOT SCALE DRAWING

THIS DOCUMENT CONTAINS PROPRIETARY INFORMATION AND SUCH INFORMATION MAY NOT BE DISCLOSED TO OTHERS FOR ANY PURPOSE OR USED FOR MANUFACTURING PURPOSES WITHOUT PERMISSION FROM AMPHENOL CANADA CORP.

UNLESS OTHERWISE SPECIFIED DIMENSIONS ARE IN MILLIMETERS TOLERANCES ARE: DECIMALS ANGLES X.X ± 0.15 $\pm 0.5^\circ$ X.XX ± 0.10	APPROVALS	DATE	Amphenol Canada Corp.	
	DRAWN H.SONG	AUG26/09	TITLE	
	DESIGNED		1X1 SFP+ CAGE, SPRING FINGER GASKET WITH LATCH FOR LIGHT PIPE	
	CHECKED J.SI	AUG27/09		
MATERIAL AND FINISH	QA APPD			
REF	E APPD	SIZE A3	DWG. NO. P-U77-A1639-X001	REV. B
CODE IDENT NO. 03554	DWG APPD	SCALE 3:1	PROJECT	SHEET 3 OF 3

Mouser Electronics

Authorized Distributor

Click to View Pricing, Inventory, Delivery & Lifecycle Information:

[FCI / Amphenol:](#)

[U77A16392001](#)