

LOC		DIST		REVISIONS			
P	LTR	DATE	DESCRIPTION	DATE	DN	APVD	
B2	REVISED PER ECO-11-004587	11MAR11			RK	HMR	



- 1 FOR ADDITIONAL SPECIFICATIONS SEE AMP PRODUCT SPEC 108-7532.
 - 2 SWITCH SHOWN IN OPEN POSITION.
 - 3 ALL CHARACTERS AND ROCKERS ARE WHITE, HOUSING IS BLUE.
 - 4 STAMPING WILL VARY ON 2 AND 3 POSITION SIDES DUE TO SPACE RESTRICTIONS.
 - 5 .315 DIMENSION APPLIES AT TERMINAL TIPS. TERMINALS ARE .300+.010 -.000 AT MOUNTING SURFACE.
 - 6 STRIPPABLE TRANSPARENT SEAL, SEE FIG 1.
 - 7 STRIPPABLE TRANSPARENT SEAL, SEE FIG 1.
 - 8 MATERIAL: HOUSING & ROCKERS- POLYESTER CONTACTS & SOLDER LEAD-COPPER ALLOY
 - 9 FINISH: CONTACTS- GOLD OVER NICKEL SOLDER LEAD- TIN OVER NICKEL
 - 10 ALL MATERIALS AND FINISHES SHALL COMPLY WITH EU DIRECTIVE 2002 /95/EC OF 27JAN2003(ROHS).
- 11 OBSOLETE PARTS: OBSOLETE CIS STREAMLINING PER D.RENAUD/D.SINISI

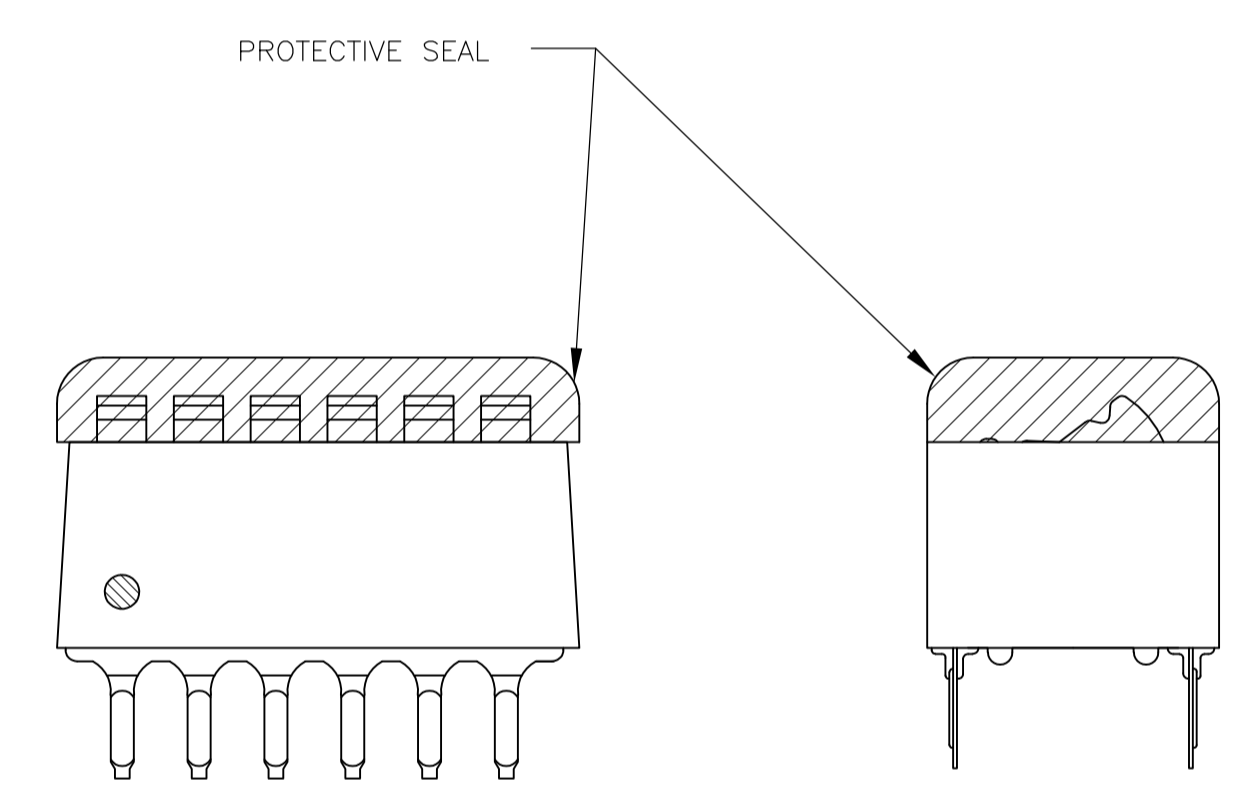


FIG 1

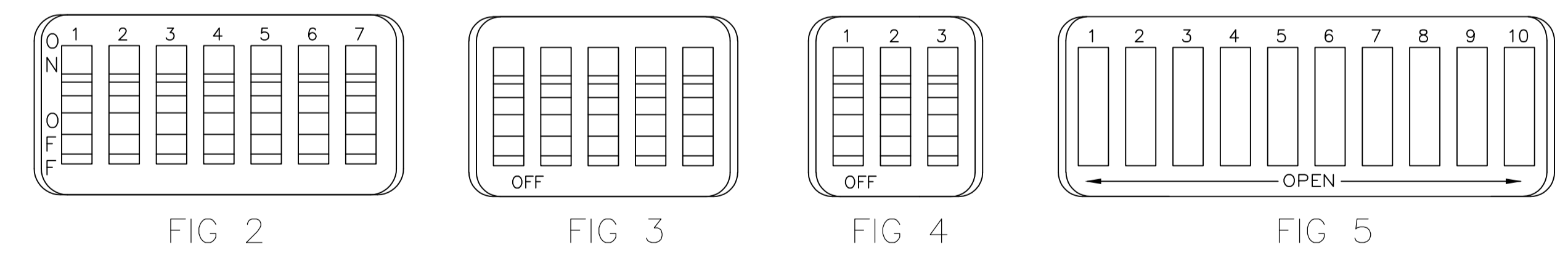


FIG 2

FIG 3

FIG 4

FIG 5

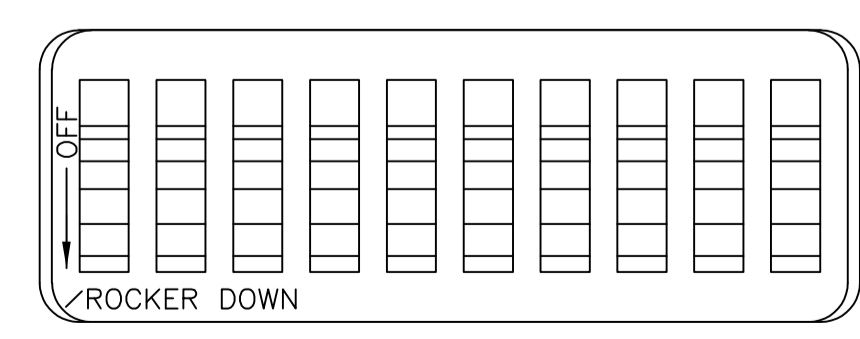


FIG 6

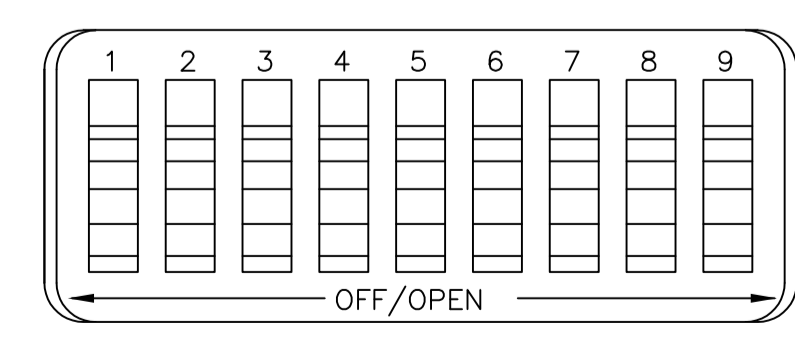


FIG 7

FIG	NO OF POSN	NO OF POSN	TOP MARKING	PART NO.	
OBSOLETE	FIG 6	1.08 10	A	-6-5435640-1	
	FIG 7	.58 5		-6-5435640-0	
		.48 4		-5-5435640-9	
OBSOLETE	FIG 5	.88 8		5-5435640-8	
		.98 9		5-5435640-7	
	FIG 2	.68 6		-5-5435640-6	
		.58 5		-5-5435640-5	
		.48 4		5-5435640-4	
OBSOLETE	FIG 3	.88 8		5-5435640-3	
	FIG 5	1.08 10		5-5435640-1	
		.88 8		5-5435640-0	
OBSOLETE	FIG 3	.88 8		-4-5435640-9	
		.58 5		4-5435640-8	
OBSOLETE	NONE	1.08 10		-4-5435640-7	
		1.28 12		-4-5435640-3	
	AS SHOWN	1.08 10		4-5435640-1	
		.98 9		4-5435640-0	
		.88 8		3-5435640-9	
		.78 7		3-5435640-8	
		.68 6		3-5435640-7	
		.58 5		3-5435640-6	
		.48 4		3-5435640-5	
		1.28 12		3-5435640-2	
		FIG 4	.38 3		3-5435640-0
			.28 2		2-5435640-9
	1.08 10			5435640-7	
	AS SHOWN	.98 9		5435640-6	
		.88 8		5435640-5	
.68 6			5435640-4		
.58 5			5435640-3		
.48 4			5435640-2		
.78 7			5435640-1		

THIS DRAWING IS A CONTROLLED DOCUMENT.

STE TE Connectivity

SWITCH ASSY, DIP, TYPE C, 7100 SERIES, SPST, STANDARD

00779 5435640

SCALE 4:1 SHEET 1 OF 1 REV B2

Mouser Electronics

Authorized Distributor

Click to View Pricing, Inventory, Delivery & Lifecycle Information:

[TE Connectivity:](#)

[3-5435640-7](#)