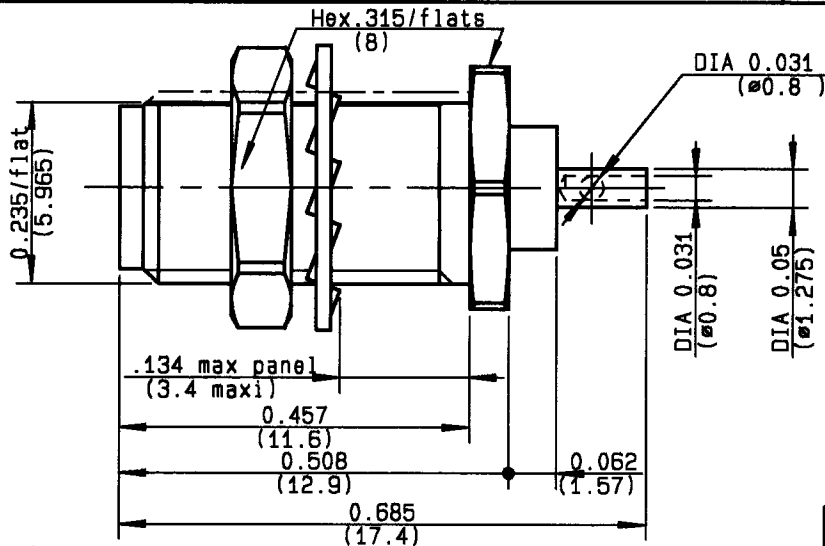
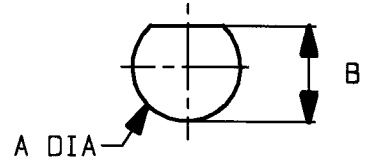


BULKEAD RECEPTACLE REAR MOUNTING



PERCAGE PANNEAU
MOUNTING HOLE



	MM		INCH	
	maxi	mini	maxi	mini
A	6.5	6.4	0.256	0.25
B	6.14	6	0.242	0.236

CABLES : -

CHARACTERISTICS

NOMINAL IMPEDANCE	50	Ω
FREQUENCY RANGE	NA	GHz
TEMPERATURE RATING	-65/+165	$^{\circ}$ C
VSWR	NA +	0 x F(GHz)Max1
RF INSERTION LOSS	NA	\sqrt{F} (GHz) dB Max1
VOLTAGE RATING	335	V _{rms} Max
DIELECTRIC WITHSTANDING VOLTAGE	1000	V _{rms} min
INSULATION RESISTANCE	5000	M Ω min
HERMETIC SEAL	-	cc/s
	NA	Atm.cm3/s
LEAKAGE (pressurized only)	-	psi
	NA	MPa
WEIGHT	0	Oz
	-	g

STANDARDISATION

CABLE RETENTION

CENTER CONTACT RETENTION

Axial force - mating end	6.06 ²⁷	lb min
		N
Axial force - opposite end	6.06 ²⁷	lb min
		N
Torque (Min)	3.96 ^{2.8}	Inch.oz
		cm.N

RECOMMENDED TORQUES

Mating	0	inch.lb
	NA	cm.N
Panel nut	13.27 ¹⁵⁰	inch.lb
		cm.N
Clamp nut	0	inch.lb
	NA	cm.N

CONSTRUCTION

CONNECTOR PARTS	MATERIALS	FINISH
BODY	STAINLESS STEEL	PASSIVATED
OUTER CONTACT	STAINLESS STEEL	PASSIVATED
CENTER CONTACT	BERYLLIUM COPPER	GOLD OVER NICKEL
INSULATOR	PTFE	-
-	-	-
-	-	-
-	-	-
-	-	-
-	-	-

ISSUE	REVISION No	DESCRIPTION	BY	DATE
-	-	-	-	-
9519	12-05-95	Change rear of c. contact	TRIGUES	12-05-95
9504	94.12.018	Epoxy resin version -> Indent version	BERTHET	25-01-95

Initiated on 01/09/88

The information given here is subject to change without notice. Design changes may be in order to improve the product.



Approval by leleu

Mouser Electronics

Authorized Distributor

Click to View Pricing, Inventory, Delivery & Lifecycle Information:

Radial:

[R125553001](#) [R125553001W](#)