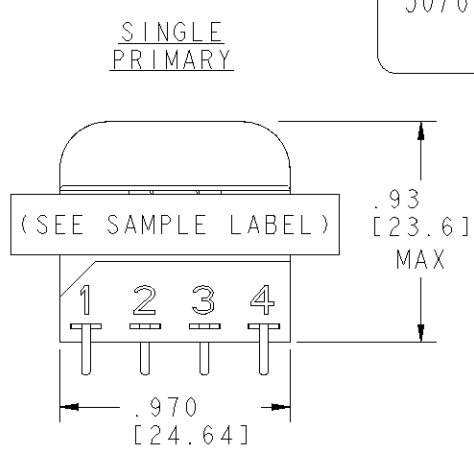
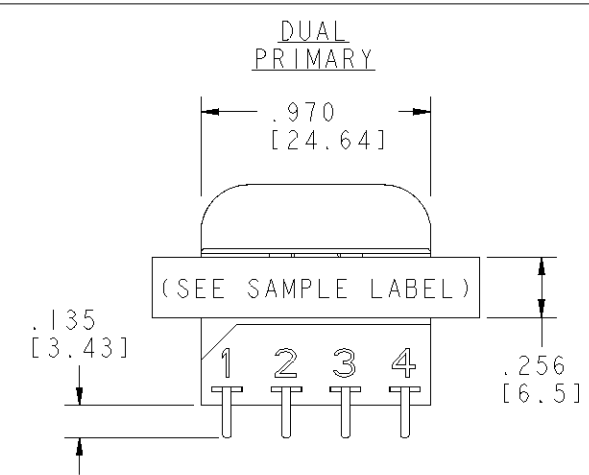


THIS DRAWING IS UNPUBLISHED. RELEASED FOR PUBLICATION 20  
 © COPYRIGHT 20 BY ALL RIGHTS RESERVED.

|     |      |           |     |                           |         |     |      |
|-----|------|-----------|-----|---------------------------|---------|-----|------|
| LOC | DIST | REVISIONS |     |                           |         |     |      |
| GZ  | 00   | P         | LTR | DESCRIPTION               | DATE    | OWN | APVD |
|     |      | F1        |     | REVISED PER ECO-11-005139 | 28MAR11 | RK  | HMR  |

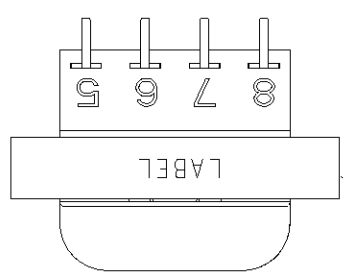
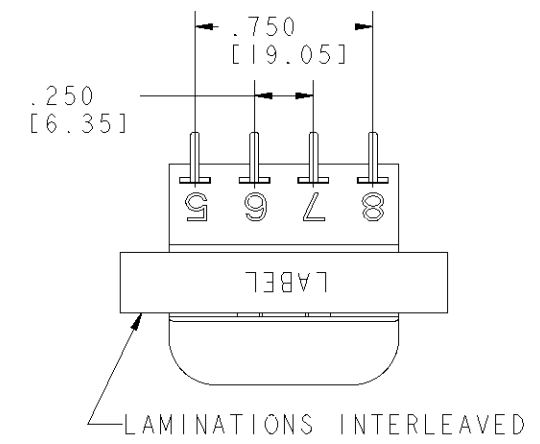
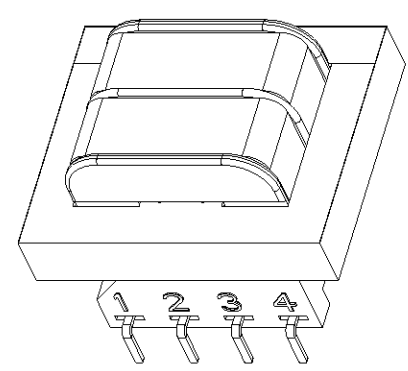
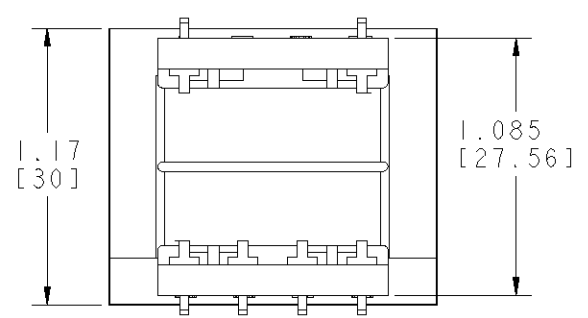
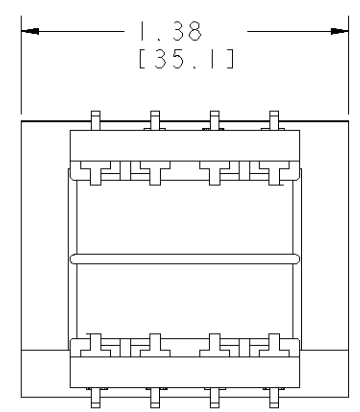
4900-XXXXRA60  
 50/60HZ 1.1VA SEC-6/12 VAC  
 115V 115V



SAMPLE LABEL  
 SCALE: 5:1  
 VOLTAGE ON LABEL WILL VARY PER MODEL NUMBER

|  |       |      |
|--|-------|------|
| CERTIFICATION: UL/CUL FILE NO. E102980 | HZ.   | V.A. |
| DIMENSIONS FOR REFERENCE ONLY.         | 50/60 | 1.1  |

| PRIMARY     | SECONDARY |          | P. U. PART NUMBER | TE Connectivity PART NUMBER |
|-------------|-----------|----------|-------------------|-----------------------------|
|             | SERIES    | PARALLEL |                   |                             |
| 115 VAC     | 12 VCT    | 6 VAC    | 4900-8012RA60     | 1672324-2                   |
| 115 VAC     | 12.6 VCT  | 6.3 VAC  | 4900-8013RA60     | 1672324-3                   |
| 115 VAC     | 20 VCT    | 10 VAC   | 4900-8020RA60     | 1672324-5                   |
| 115 VAC     | 24 VCT    | 12 VAC   | 4900-8024RA60     | 1672324-6                   |
| 115 VAC     | 28 VCT    | 14 VAC   | 4900-8028RA60     | 1672324-7                   |
| 115 VAC     | 48 VCT    | 24 VAC   | 4900-8048RA60     | 1-1672324-0                 |
| 115/230 VAC | 12 VCT    | 6 VAC    | 4900-9012RA60     | 1-1672324-4                 |
| 115/230 VAC | 12.6 VCT  | 6.3 VAC  | 4900-9013RA60     | 1-1672324-5                 |
| 115/230 VAC | 20 VCT    | 10 VAC   | 4900-9020RA60     | 1-1672324-7                 |
| 115/230 VAC | 24 VCT    | 12 VAC   | 4900-9024RA60     | 1-1672324-8                 |
| 115/230 VAC | 28 VCT    | 14 VAC   | 4900-9028RA60     | 1-1672324-9                 |
| 115/230 VAC | 48 VCT    | 24 VAC   | 4900-9048RA60     | 2-1672324-2                 |



|                         |  |  |  |                              |  |   |  |
|-------------------------|--|--|--|------------------------------|--|---|--|
| DIMENSIONS: INCHES (mm) |  | TOLERANCES UNLESS OTHERWISE SPECIFIED: |  | DWN T. SPRINKLE 16 JUL 2008  |  | TE Connectivity                         |  |
| 0 PLC ±                 |  | 1 PLC ±                                |  | CHK J. HURLBURT 16 JUL 2008  |  | NAME                                    |  |
| 2 PLC ±.01(0.25)        |  | 3 PLC ±.005(0.13)                      |  | APVD J. HURLBURT 16 JUL 2008 |  | TRANSFORMER OUTLINE                     |  |
| 4 PLC ±                 |  | ANGLES ±                               |  | PRODUCT SPEC                 |  | SIZE CAGE CODE DRAWING NO RESTRICTED TO |  |
| FINISH                  |  | APPLICATION SPEC                       |  | WEIGHT                       |  | A200779 C=4900-RA60                     |  |
| MATERIAL                |  | CUSTOMER DRAWING                       |  | SCALE 5:1                    |  | SHEET 1 OF 1 REV F1                     |  |

4900-RA60

# Mouser Electronics

Authorized Distributor

Click to View Pricing, Inventory, Delivery & Lifecycle Information:

[TE Connectivity:](#)

[4900-9024RA60](#)