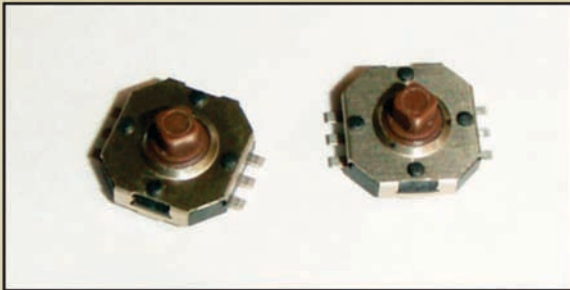


SERIES JS1400 SWITCHES



5-POSITION NAVIGATION SWITCH



MECHANICAL SPECIFICATIONS

Mechanical Life:	100,000 cycles
Force:	360 +/- 60 g center actuation; 160 +/- 50 g tilt actuation
Travel:	Tilt: 5° +2.5°/-1°; center direction: 0.25 +0.1/-0.2mm

ELECTRICAL SPECIFICATIONS

Contact Arrangement:	SP 5 positions, Normally Open
Contact Rating:	12VDC, 50mA
Contact Resistance:	100mΩ (initial max)
Insulation Resistance:	100MΩ (Min @ 500VDC)
Dielectric Strength:	250VAC

ENVIRONMENTAL SPECIFICATIONS

Operating Temperature:	-20°C to +70°C
Storage Temperature:	-40°C to +85°C

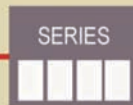
FEATURES & BENEFITS

5-position joystick switch
Designed for SMT applications
that require navigation

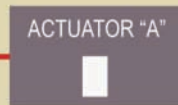
APPLICATIONS / MARKETS

Handheld instrumentation
Navigation
Telecommunications
Consumer electronics where user
interface is needed

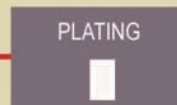
HOW TO ORDER:



SERIES
JS1400
(5-positions)



ACTUATOR "A"
A = 4.5mm
B = 5.0mm
C = 4.0mm



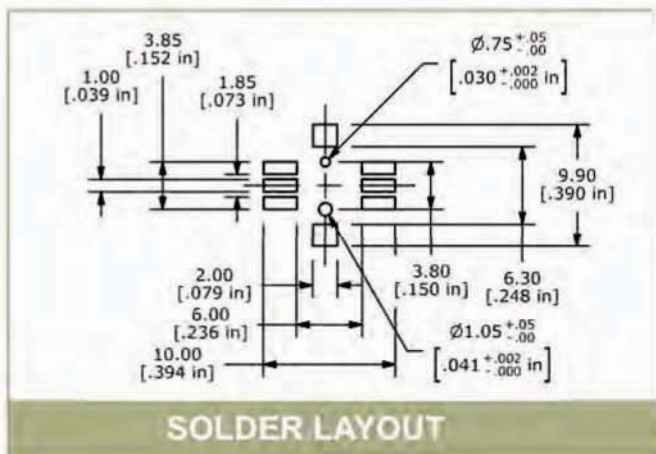
PLATING
F = Flat Gullwing
V = Inverted Gullwing



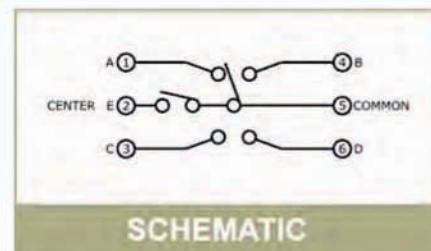
CONTACT MATERIAL
Q = Silver

Tape and Reel packaging, 850 pieces per reel

Specifications subject to change without notice.



SOLDER LAYOUT



SCHEMATIC

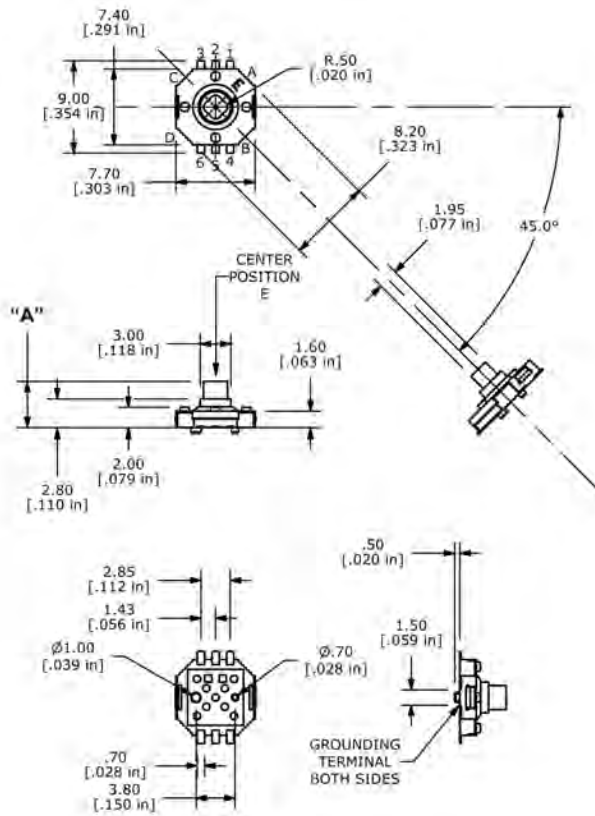
OPERATING POSITION	CIRCUIT
A	①-②
B	③-④
C	⑤-⑥
D	⑦-⑧
CENTER PUSH	⑨-⑩

POSITION

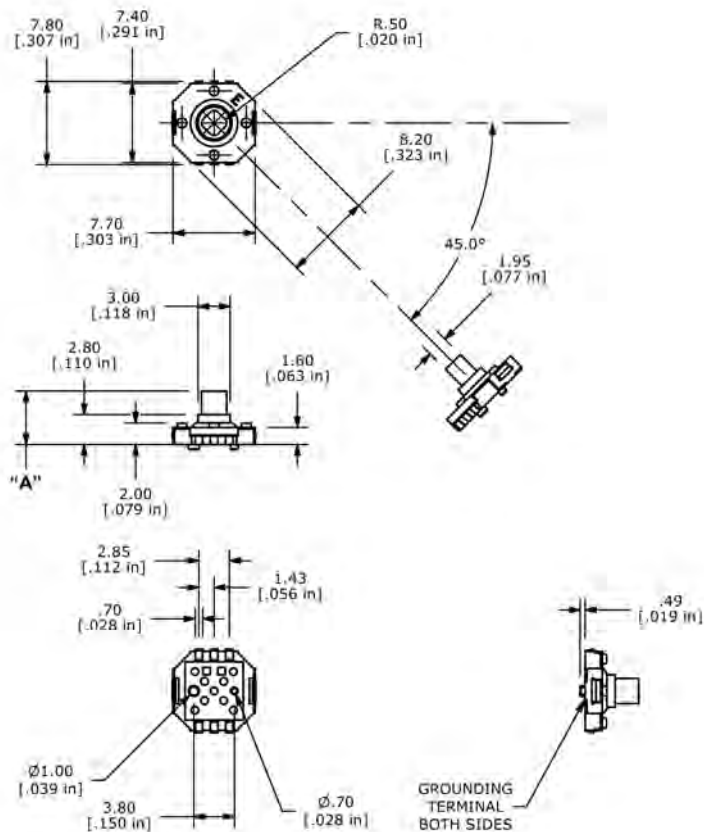
SERIES JS1400 SWITCHES



"F" Flat Gullwing Termination:



"V" Inverted Gullwing Termination:



Mouser Electronics

Authorized Distributor

Click to View Pricing, Inventory, Delivery & Lifecycle Information:

[E-Switch:](#)

[JS1400BVQ](#) [JS1400AVQ](#) [JS1400BFQ](#) [JS1400CFQ](#) [JS1400AFQ](#)