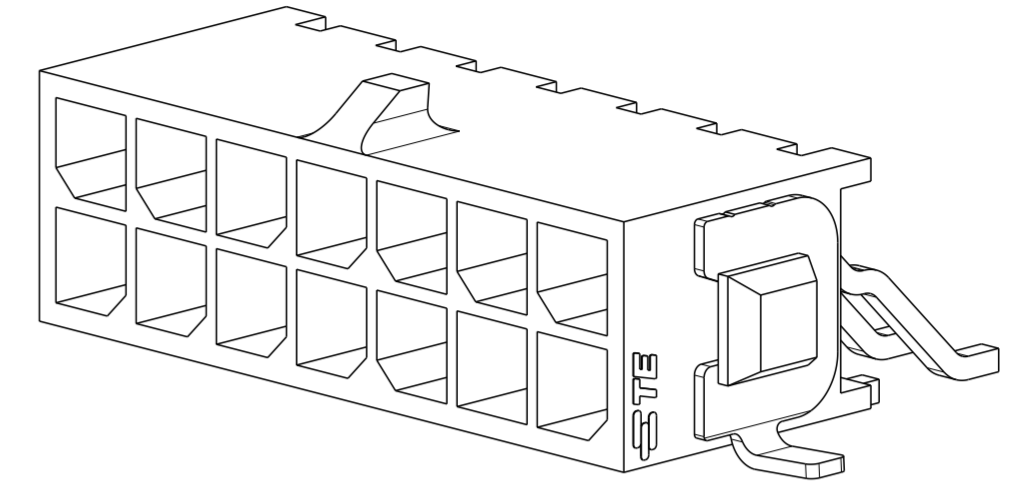
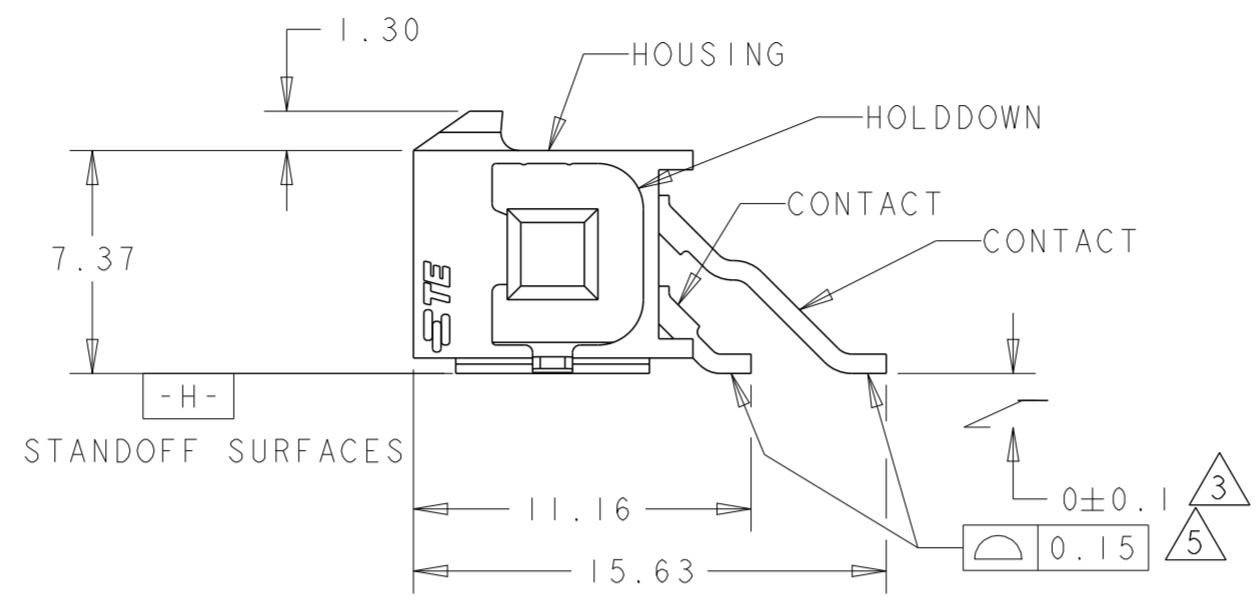
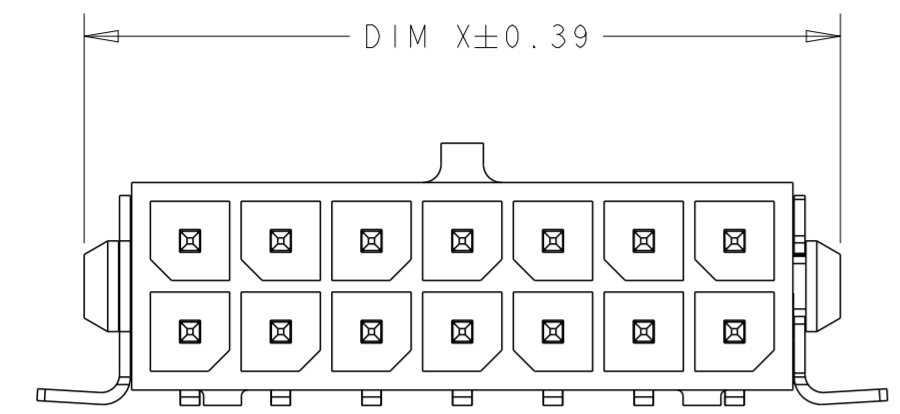


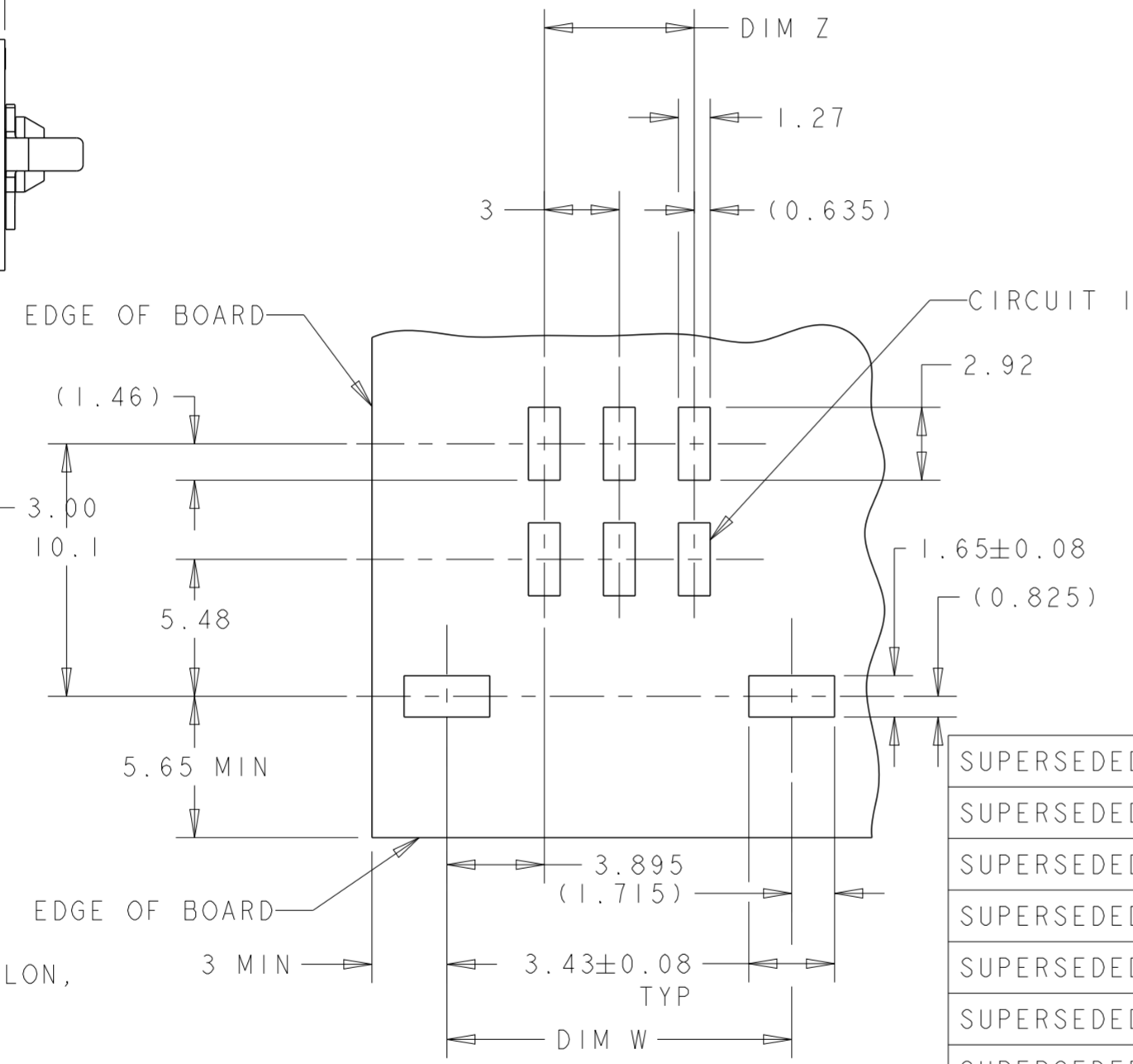
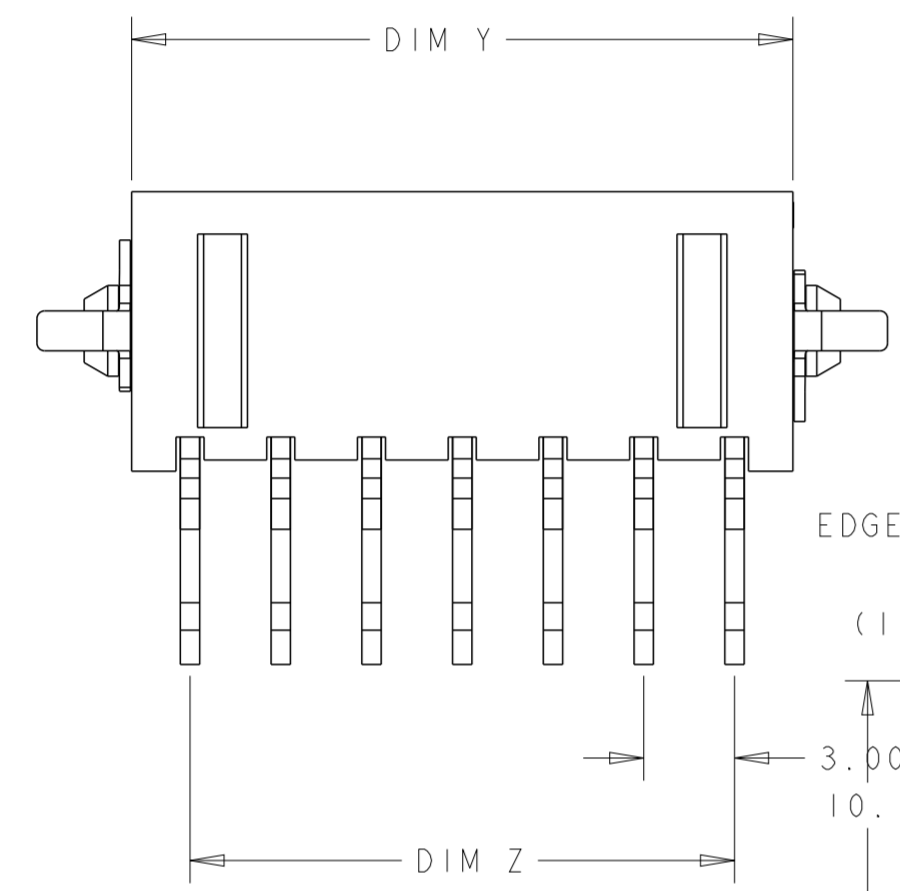
THIS DRAWING IS UNPUBLISHED. RELEASED FOR PUBLICATION 20
 © COPYRIGHT 20 BY - ALL RIGHTS RESERVED.

REVISIONS					
P	LTR	DESCRIPTION	DATE	DWN	APVD
	HI	REVISED PER ECR-16-011494	22JUN2017	NK	CX

UNREEL DIRECTION OF REVERSE TAPED



SCALE 5:1



REVERSE TAPED	FINISH	DIM Y	DIM W	DIM Z	DIM X	NO. OF POSN.	PART NUMBER
REVERSE TAPED	6	12.86	16.79	9.00	16.00	8	6-794629-8
REVERSE TAPED	6	6.86	10.79	3.00	10.00	4	6-794629-4
TAPED	6	36.86	40.79	33.00	40.00	24	5-794629-4
TAPED	6	33.86	37.79	30.00	37.00	22	5-794629-2
TAPED	6	30.86	34.79	27.00	34.00	20	5-794629-0
TAPED	6	27.86	31.79	24.00	31.00	18	4-794629-8
TAPED	6	24.86	28.79	21.00	28.00	16	4-794629-6
TAPED	6	21.86	25.79	18.00	25.00	14	4-794629-4
TAPED	6	18.86	22.79	15.00	22.00	12	4-794629-2
TAPED	6	15.86	19.79	12.00	19.00	10	4-794629-0
TAPED	6	12.86	16.79	9.00	16.00	8	3-794629-8
TAPED	6	9.86	13.79	6.00	13.00	6	3-794629-6
TAPED	6	6.86	10.79	3.00	10.00	4	3-794629-4
LOOSE PIECE	6	3.86	7.79	-	7.00	2	3-794629-2
SUPERSEDED BY 5-794629-4	2	36.86	40.79	33.00	40.00	24	2-794629-4
SUPERSEDED BY 5-794629-2	2	33.86	37.79	30.00	37.00	22	2-794629-2
SUPERSEDED BY 5-794629-0	2	30.86	34.79	27.00	34.00	20	2-794629-0
SUPERSEDED BY 4-794629-8	2	27.86	31.79	24.00	31.00	18	+794629-8
SUPERSEDED BY 4-794629-6	2	24.86	28.79	21.00	28.00	16	+794629-6
SUPERSEDED BY 4-794629-4	2	21.86	25.79	18.00	25.00	14	+794629-4
SUPERSEDED BY 4-794629-2	2	18.86	22.79	15.00	22.00	12	+794629-2
SUPERSEDED BY 4-794629-0	2	15.86	19.79	12.00	19.00	10	+794629-0
SUPERSEDED BY 3-794629-8	2	12.86	16.79	9.00	16.00	8	794629-8
SUPERSEDED BY 3-794629-6	2	9.86	13.79	6.00	13.00	6	794629-6
SUPERSEDED BY 3-794629-4	2	6.86	10.79	3.00	10.00	4	794629-4
SUPERSEDED BY 3-794629-2	2	3.86	7.79	-	7.00	2	794629-2

- 1 MATERIAL;
CONTACTS - BRASS.
HOUSING - UL 94V-0 RATED HIGH TEMP NYLON,
COLOR; BLACK.
HOLDDOWNS - PHOSPHOR BRONZE.
- 2 PLATING;
CONTACTS - 0.76µm MINIMUM GOLD OVER 2.54µm
MINIMUM NICKEL ON MATING AREA.
2.54µm TIN-LEAD MINIMUM OVER 2.54µm
NICKEL MINIMUM ON SOLDER TAIL.
HOLDDOWNS - 2.54µm TIN-LEAD.
- 3 DIMENSION APPLIES TO SOLDER TAIL SURFACES
AND STANDOFF SURFACES.
- 4 RECOMMENDED PC BOARD THICKNESS OF 1.57.
- 5 ALL SOLDER TAILS AND HOLDDOWNS.
- 6 PLATING;
CONTACTS - 0.76µm MINIMUM GOLD OVER 2.54µm
MINIMUM NICKEL ON MATING AREA.
2.54µm MATTE TIN MINIMUM OVER 2.54µm
NICKEL MINIMUM ON SOLDER TAIL.
HOLDDOWNS - 2.54µm MATTE TIN.

THIS DRAWING IS A CONTROLLED DOCUMENT.

DIMENSIONS: mm	TOLERANCES UNLESS OTHERWISE SPECIFIED: 0 PLC ± 1 PLC ± 2 PLC ±0.13 3 PLC ± 4 PLC ± ANGLES ± FINISH	DWN K. WHITAKER 19MAR2003 CHK C. JONES 19MAR2003 APVD C. JONES 19MAR2003	TE Connectivity	
MATERIAL	SEE TABLE	PRODUCT SPEC APPLICATION SPEC	NAME SURFACE MOUNT, RIGHT ANGLE, SURFACE MOUNT HOLDDOWN, ASSEMBLY, 30 GOLD HEADER, DUAL ROW, MICRO MATE-N-LOK™ SIZE A2 CAGE CODE A200779 DRAWING NO C-794629 RESTRICTED TO	
CUSTOMER DRAWING		WEIGHT	SCALE 4:1	SHEET OF REV HI

Mouser Electronics

Authorized Distributor

Click to View Pricing, Inventory, Delivery & Lifecycle Information:

[TE Connectivity:](#)

[3-794629-8](#)