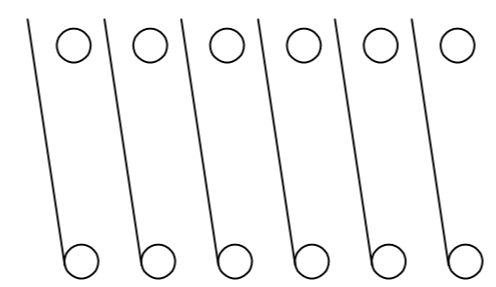
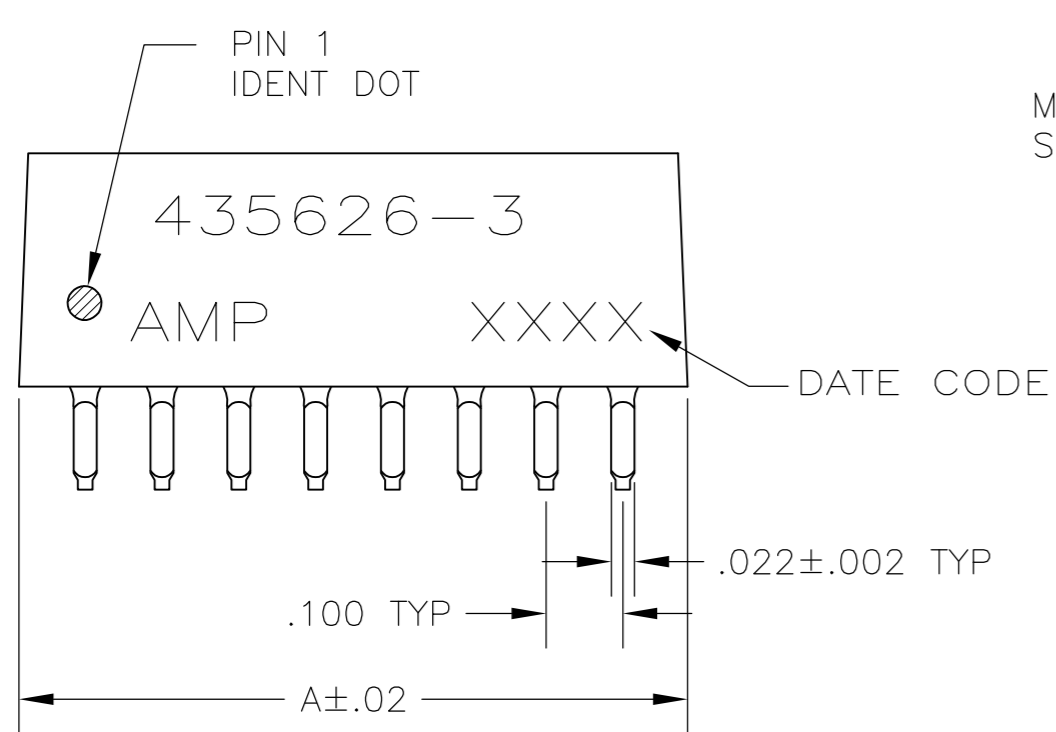
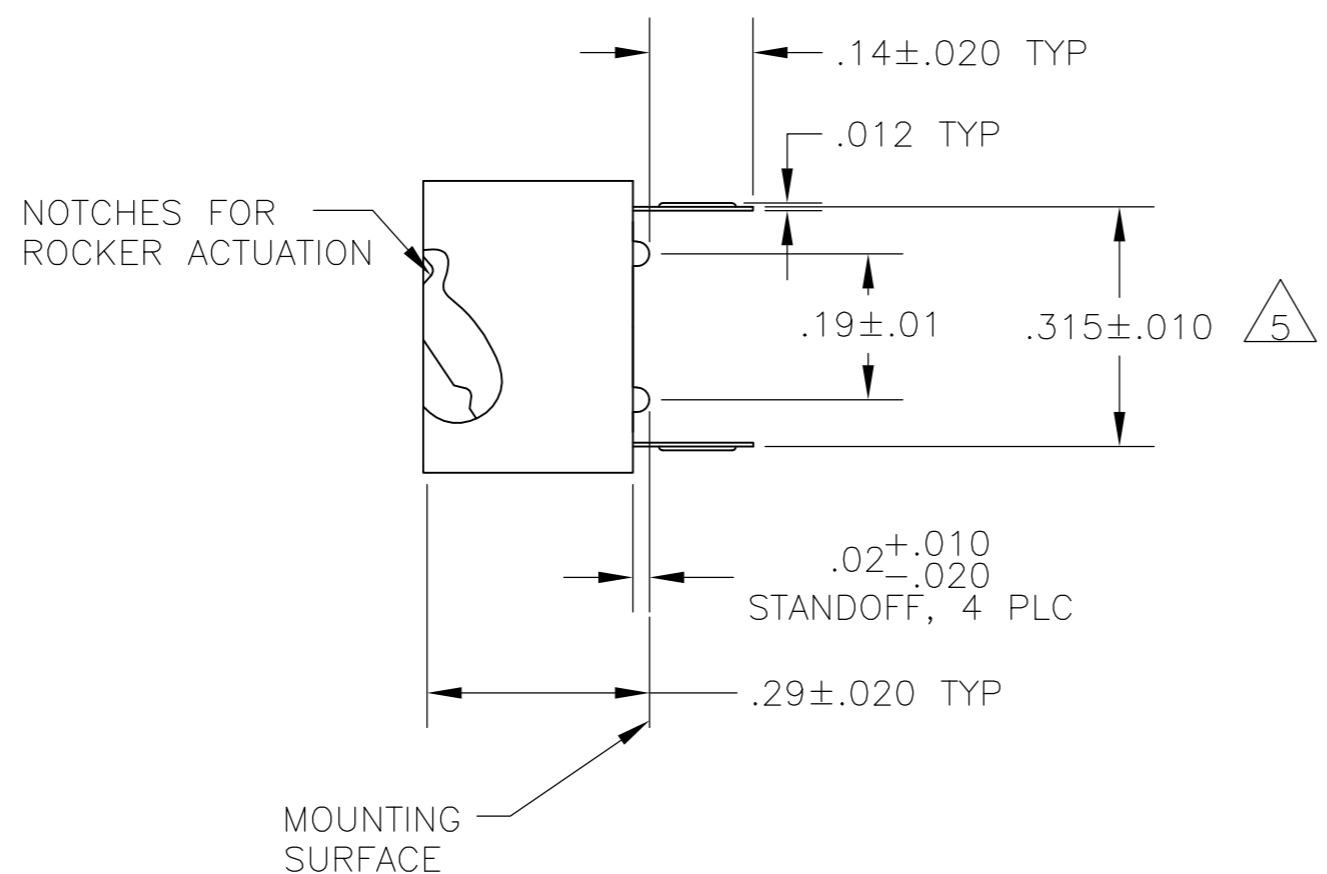
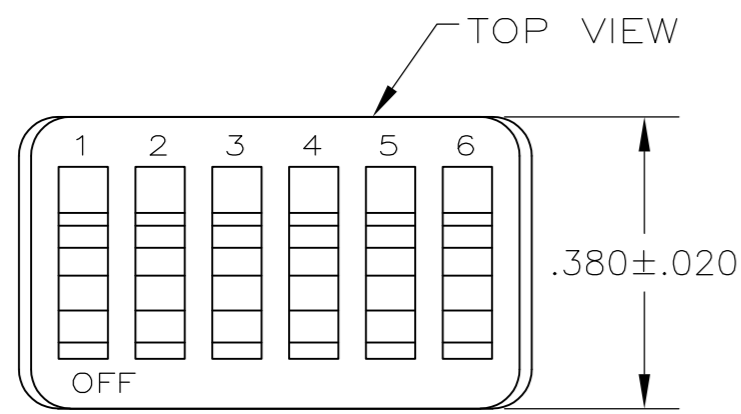


THIS DRAWING IS UNPUBLISHED. RELEASED FOR PUBLICATION
 © COPYRIGHT - TE Connectivity ALL RIGHTS RESERVED.

REVISIONS					
P	LTR	DESCRIPTION	DATE	DWN	APVD
BF2		REVISED PER ECO-17-001607	16MAY2017	RK	PO



CONTACT ARRANGEMENT

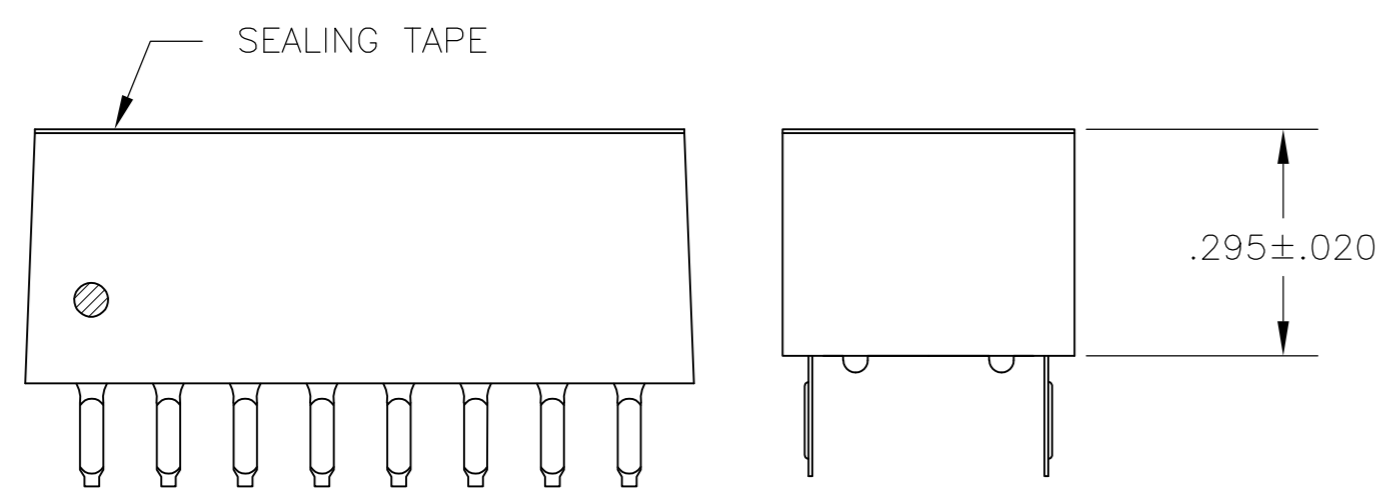


FIG 1

- FOR ADDITIONAL SPECIFICATIONS SEE AMP PRODUCT SPEC 108-7519.
 - SWITCH SHOWN IN OPEN POSITION.
 - ALL CHARACTERS AND ROCKERS ARE WHITE, HOUSING IS BLACK.
 - STAMPING WILL VARY ON 2 & 3 POSITION SIDES DUE TO SPACE RESTRICTIONS.
- △5 .315 DIMENSION APPLIES AT TERMINAL TIPS. TERMINALS ARE .300±.010 AT MOUNTING SURFACE.
- △6 ALL MATERIALS AND FINISHES SHALL COMPLY WITH EU DIRECTIVE 2002/95/EC OF 27JAN2003 (ROHS).
- △7 OBSOLETE PARTS: OBSOLETE CIS STREAMLINING PER D.RENAUD/D.SINISI

FIG 1	SIZE	NO. OF POSN.	PART NO.	
△7	OBSOLETE	1.08	10	9-435626-4
△6		.88	8	9-435626-2
△7	OBSOLETE	.78	7	9-435626-1
△6		.68	6	9-435626-0
△6		.48	4	8-435626-8
△6		.38	3	8-435626-7
△6		.28	2	8-435626-6
△6		.88	8	5-435626-5
△6		.58	5	5-435626-2
△6		.48	4	5-435626-1
				4-435626-9
		1.28	12	4-435626-6
		1.08	10	4-435626-4
		.98	9	4-435626-3
		.88	8	4-435626-2
△7	OBSOLETE	.78	7	4-435626-1
		.68	6	4-435626-0
		.58	5	3-435626-9
		.48	4	3-435626-8
△7	OBSOLETE	.38	3	3-435626-7
		.28	2	3-435626-6
		.28	2	1-435626-9
		1.08	10	435626-7
		.88	8	435626-5
		.78	7	435626-4
		.68	6	435626-3
		.58	5	435626-2
		.48	4	435626-1
				435626-3 SHOWN

THIS DRAWING IS A CONTROLLED DOCUMENT.		DWN	R.TALLEY	1-2-90
DIMENSIONS: INCHES		CHK	R.MILLER	1-3-90
TOLERANCES UNLESS OTHERWISE SPECIFIED:		APVD	H.LEITER	1-3-90
0 PLC ± -		PRODUCT SPEC	NAME	
1 PLC ± -		APPLICATION SPEC	SWITCH ASSY, DIP, TYPE C, 7000 SERIES, SPST, LOW PROFILE	
2 PLC ± -		WEIGHT	SIZE	A2
3 PLC ± .005		CUSTOMER DRAWING	CAGE CODE	00779
4 PLC ± -		SCALE	DRAWING NO	C=435626
ANGLES ± -		SHEET	NO. OF POSN.	A
FINISH		RESTRICTED TO	-	
HOUSING & ROCKERS: POLYESTER		TE Connectivity		
CONTACTS: BERYLLIUM COPPER		CONTACTS: PLATED .000030 MIN GOLD IN CONTACT AREA OVER .000050 MIN NICKEL		

Mouser Electronics

Authorized Distributor

Click to View Pricing, Inventory, Delivery & Lifecycle Information:

[TE Connectivity:](#)

[4-435626-2](#)