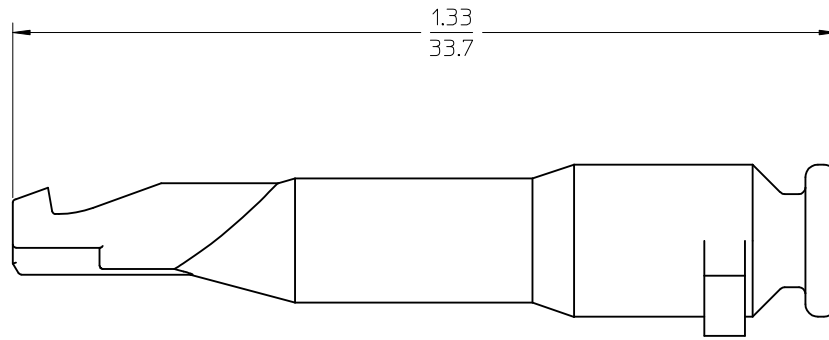
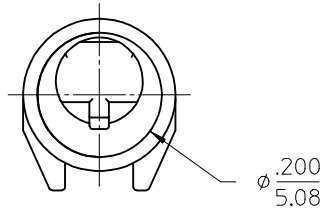
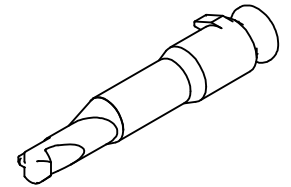


SPRUE ASSY
194310054



SINGLE PART
SCALE 5:1

NOTES:

1. GENERIC MATERIAL NAME: POLYBUTYLENE TEREPHTALATE
MATERIAL ABBREVIATION: PBT
COLOR: NATURAL
GLASS FILLED, UL94 V-0
2. PART IS DESIGNED TO BE USED ON 19432 SERIES REPEACLE ASSEMBLIES.
3. PART IS PACKAGED 144 STRIPS OF 5 IN A 96707-0023 CARTON.
4. MATERIAL IS ROHS COMPLIANT.

UPDATE NOTE 3 EC NO: IPG2013-1943 DRW: WLEUNG 2013/06/19 CHKD: BRUPERT 2013/06/19 APPR: JF MURPHY 2013/07/10	DESCRIPTION B	QUALITY SYMBOLS	GENERAL TOLERANCES (UNLESS SPECIFIED)		DIMENSION STYLE		SCALE	DESIGN UNITS	THIRD ANGLE PROJECTION
		▼=0 ∇=0	mm	INCH	IN/MM		2:1	INCH	THIRD ANGLE PROJECTION
			4 PLACES ± --- ± ---	DRAWN BY WLEUNG DATE 2009/10/05	TITLE				
			3 PLACES ± --- ± .010	CHECKED BY DTITUS DATE 2009/10/05	MX 150L CIRCUIT PLUG W-T-B, 12-10-8AWG				
2 PLACES ± 0.26 ± .02	APPROVED BY DTITUS DATE 2010/05/07	MATERIAL NO. 194310054		DOCUMENT NO. SD-19431-054		SHEET NO. 1 OF 1			
1 PLACE ± 0.5 ± ---	ANGULAR ± 1 °		DRAFT WHERE APPLICABLE MUST REMAIN WITHIN DIMENSIONS		THIS DRAWING CONTAINS INFORMATION THAT IS PROPRIETARY TO MOLEX INCORPORATED AND SHOULD NOT BE USED WITHOUT WRITTEN PERMISSION				

Mouser Electronics

Authorized Distributor

Click to View Pricing, Inventory, Delivery & Lifecycle Information:

[Molex:](#)

[19431-0054](#)