

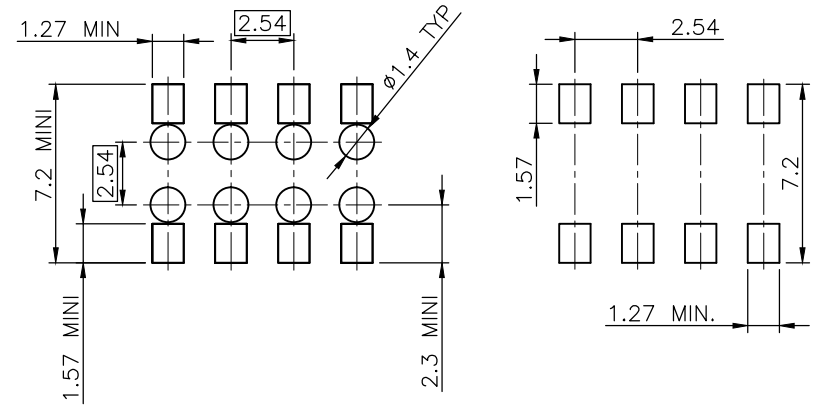
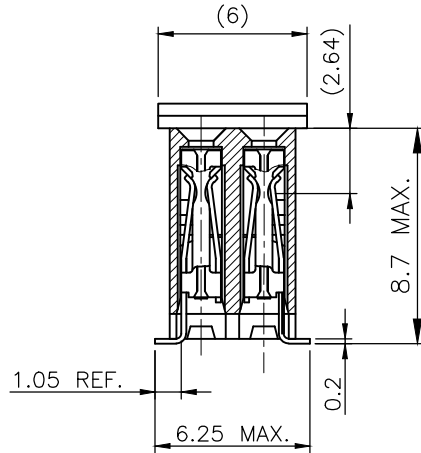
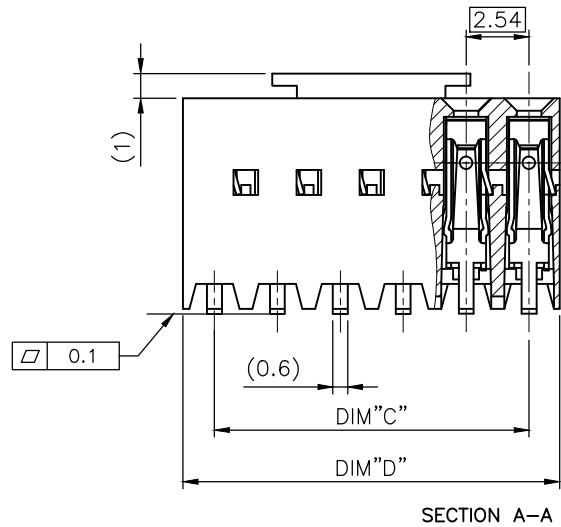
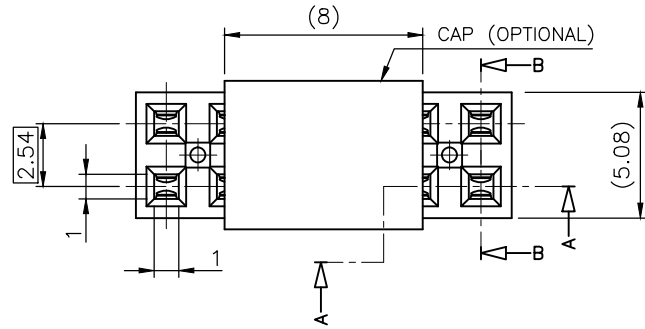
PRODUCT NB	DIM"C"	DIM"D"	CAP	TAPE	TUBE	AVAILABILITY
95290-YXXLF	SEE SHEET 213 2/2		NO	NO	YES	SEE SHEET 213 2/2
95290-YXXALF			YES	YES	NO	SEE SHEET 213 2/2
95290-YXXBLF			YES	NO	YES	SEE SHEET 213 2/2
95290-YXXKLF			NO	YES	NO	SEE SHEET 213 2/2

PRODUCT NUMBER

95290-YXXZLF

PLATING CODE  
SEE TABLE

RoHS COMPATIBLE, SEE NOTE 7 SHEET 2  
OPTION LETTER (SEE TABLE & SHEET 2)  
NUMBER OF POSITIONS, SHEET 2



NOTES:

- 1 - MATERIAL HOUSING: PCT HIGH TEMPERATURE, 30% GLASS FILLED COLOUR GREY, FLAME RETARDANT, PER UL-94-V0.
- 2 - MATERIAL TERMINAL: PHOSPHOR BRONZE EXTRA HARD

95290-4XX(Z)LF	5µm Sn	Sn
95290-3XX(Z)LF	0.76µm GOLD	Sn
PLATING CODE	CONTACT AREA	SOLDER TAIL
	PLATING THICKNESS OVER 1.27µm Ni	

mat'l. code		surface		tolerance		projection		product family	
SEE NOTES		ISO 1302	ISO 406	ISO 1101	mm		DX VCC DR		
ltr	ecn no	dr	date	tolerances unless otherwise specified		mm		title	
R	B-19923	BVE	15.01.08	angles	linear	scale 1/5		BtB RECEPT.	
K	F07-027	LMU	07.12.06	±2°				VERT DR SMT 8.5 mm	
L	F09-0230	JCO	09.12.09	dr	D.LEGRAND	97.01.13	dwg no		sheet 1 of 2 size
M	B-19123	LMU	14.10.21	enr	P.NIZZI	97.01.13	95290		A3
N	B-19232	LMU	14.10.28	chr	D.LEGRAND	97.01.13	type		CUSTOMER Drawing
P	B-19535	BVE	14.11.24	appd	PNZ	97.01.13			
sheet	revision	R	J						
index	sheet	1	2						

PRODUCT NUMBER	NUMBER OF POS.	DIM"C"	DIM"D"
95290-Y03(Z)LF	2 x 03	5.08	7.54
95290-Y04(Z)LF	2 x 04	7.62	10.08
95290-Y05(Z)LF	2 x 05	10.16	12.62
95290-Y06(Z)LF	2 x 06	12.70	15.16
95290-Y22(B)LF	2 x 22	53.34	55.80

- 6 - OTHERS POSITIONS, ON SPECIAL REQUEST.
- 7 - RoHS COMPATIBLE PRODUCT SPECIFICATIONS
  - a - PLATING:
    - "LF" MEANS THE PRODUCT IS LEAD-FREE, 2µm MINIMUM MATTE TIN OVER 1.27µm MINIMUM NICKEL UNDERPLATE.
  - b - MANUFACTURING PROCESS COMPATIBILITY
    - THE HOUSING WILL WITHSTAND EXPOSURE TO 260°C PEAK TEMPERATURE FOR 30 SECONDS MAX IN A CONVECTION, INFRA-RED OR VAPOR PHASE OR REFLOW OVEN.
  - c - LABELING:
    - MEETS PACKAGING SPECS AS PER GS-14-920
  - d - LEGAL STATEMENT: SEE GS-47-0004

mat'l. code		surface		tolerance		projection		product family	
SEE NOTES		ISO 1302 ✓		ISO 406 ISO 1101				DX VCC DR	
ltr	ecn no	dr	date	tolerances unless otherwise specified				title	
E	F04-037	DLE	04.11.16	angles	linear	mm		BtB RECEIPT.	
F	F06-0204	DLE	06.06.28	σ±x	±xx	scale 1/5		VERT DR SMT 8.5 mm	
G	B-19123	LMU	14.10.21	σ±x	±xxx			dwg no	
H	B-19535	BVE	14.11.24	dr	D.LEGRAND	97.01.13	sheet 2 of 2		size
J	B-19923	BVE	15.01.08	enr	P.NIZZI	97.01.13	95290		A3
				chr	P.NIZZI	97.01.13	type		CUSTOMER Drawing
				appd	P. NZ	97.01.13			
sheet	revision								
index	sheet								

# Mouser Electronics

Authorized Distributor

Click to View Pricing, Inventory, Delivery & Lifecycle Information:

[FCI / Amphenol:](#)

[95290-405LF](#) [95290-406LF](#) [95290-303ALF](#) [95290-305ALF](#) [95290-305BLF](#) [95290-405ALF](#) [95290-405BLF](#) [95290-406ALF](#) [95290-406BLF](#) [95290-305KLF](#) [95290-405KLF](#) [95290-406KLF](#) [95290-306LF](#) [95290-325LF](#) [95290-306ALF](#) [95290-304ALF](#)