

LP6 SERIES PUSHBUTTON SWITCH

ANTI-VANDAL SWITCHES
 DETECTOR SWITCHES
 DIP SWITCHES
 KEYLOCK SWITCHES
 NAVIGATION SWITCHES
PUSHBUTTON SWITCHES
 ROCKER SWITCHES
 ROTARY SWITCHES
 SLIDE SWITCHES
 SNAP ACTION SWITCHES
 TACTILE SWITCHES
 TOGGLE SWITCHES
 CAP OPTIONS



APPLICATIONS / MARKETS



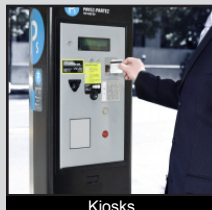
Audio / Visual



Consumer Electronics



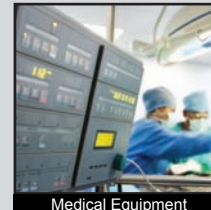
Vending Machines



Kiosks



Instrumentation



Medical Equipment

RoHS

SPECIFICATIONS

Electrical Rating: 12mA @ 12VDC
Mechanical Life: 200,000 Cycles
Electrical Life: 200,000 Cycles
Contact Resistance: 50mΩ Max. initial
Insulation Resistance: 100 MΩ Min. @ 500VDC
Dielectric Strength: 500VAC
Operating/Storage Temperature: -20°C to 70°C
Travel: 2.20mm
Contact Arrangement: SPST, DPST
Actuation Force: SPST: 150 gf; DPST: 200 gf

FEATURES & BENEFITS

- Single pole or double pole functions
- 15mm square, sculptured cap
- Multiple color options including RGB color

PART NUMBER CONFIGURATOR

Series	Mechanical Configuration	Circuit Options	Cap Size Options	Cap Configuration Options	LED Color Options*
<input type="text" value="LP6"/>	<input type="text" value="OA - Momentary"/>	<input type="text" value="1 - SPST
2 - DPST"/>	<input type="text" value="A - 15mm square"/>	<input type="text" value="S - Sculptured"/>	<input type="text" value="RR - Red-Red
RG - Red-Green
RB - Red-Blue
RY - Red-Yellow
RW - Red-White
BB - Blue-Blue
BW - Blue-White
GG - Green-Green
GB - Green-Blue
GW - Green-White
YY - Yellow-Yellow
YG - Yellow-Green
YB - Yellow-Blue
YW - Yellow-White
WW - White-White
RGB - Red-Green-Blue"/>

* Please refer to individual part number drawings for LED specifications.

Specifications subject to change without notice



E-SWITCH®

www.e-switch.com

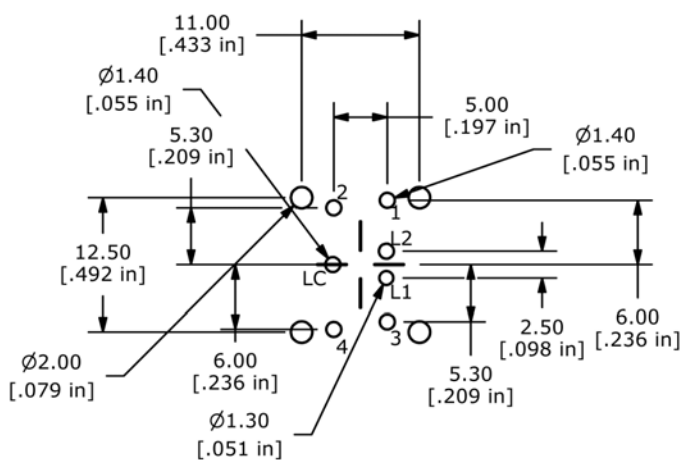
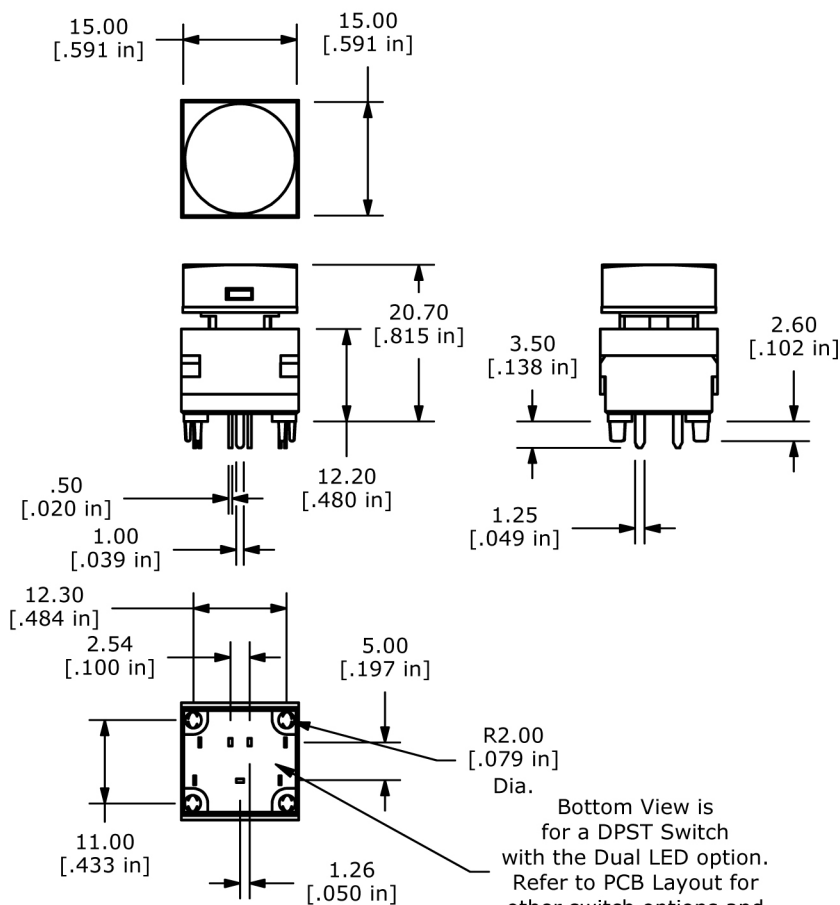
800.867.2717

2

LP6 SERIES PUSHBUTTON SWITCH

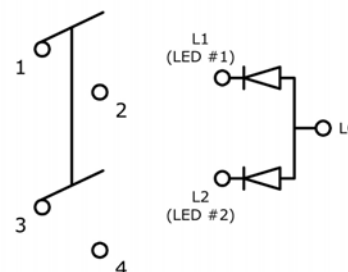
BODY DIMENSIONS

DUAL LED



PCB Layout
Dual LED
DPST with Dual LED Layout is Shown
For SPST holes 3 & 4 are not required.

PCB LAYOUT



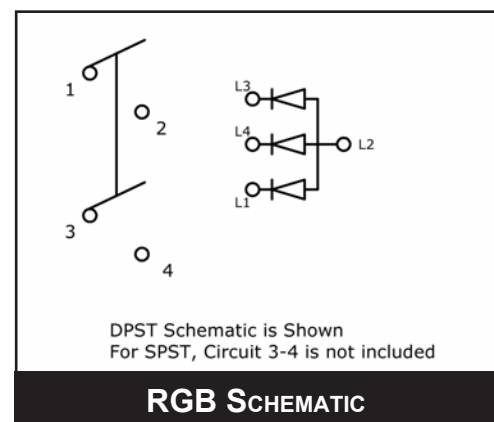
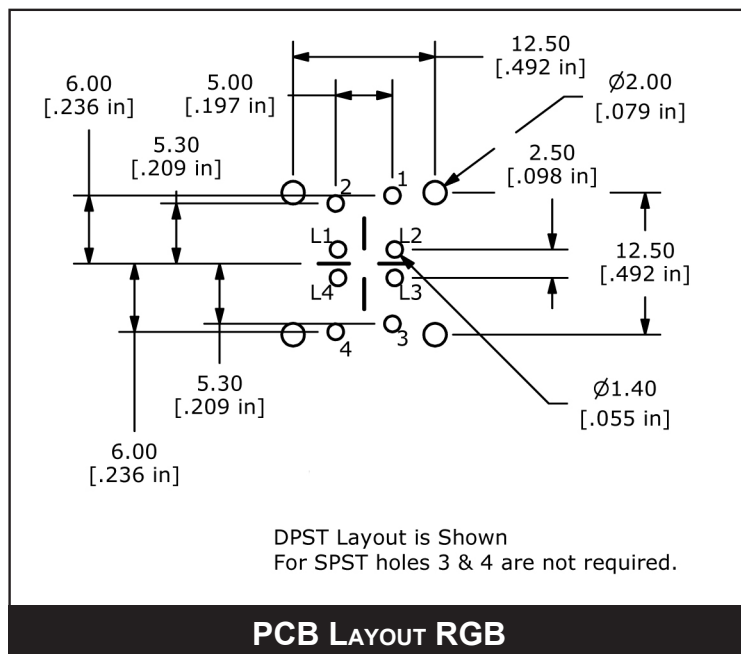
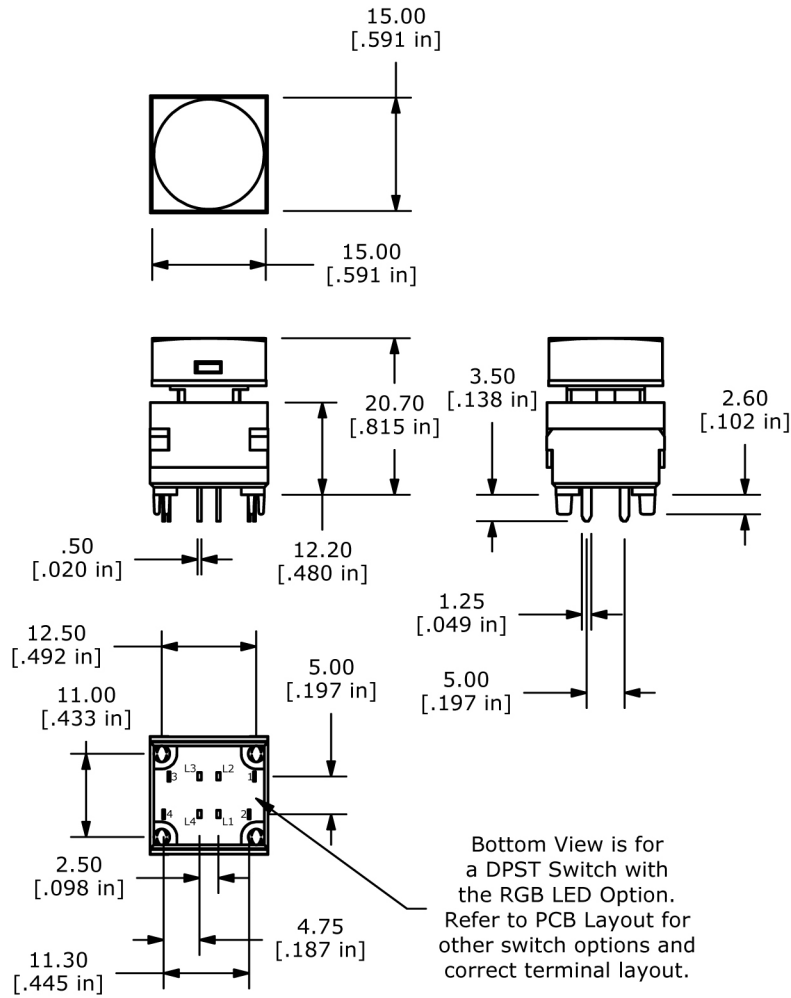
DPST with Dual LED Circuit is shown
For SPST the circuit 3, 4 is not included

SCHEMATIC



LP6 SERIES PUSHBUTTON SWITCH

BODY DIMENSIONS RGB LED



Mouser Electronics

Authorized Distributor

Click to View Pricing, Inventory, Delivery & Lifecycle Information:

E-Switch:

[LP60A1ASGB](#) [LP60A1ASYB](#) [LP60A2ASRG](#) [LP60A1ASRB](#) [LP60A1ASRG](#) [LP60A1ASGB](#) [LP60A1ASRG](#)
[LP60A1ASYB](#) [LP60A2ASRG](#) [LP60A1ASRW](#) [LP60A1ASRY](#) [LP60A1ASBB](#) [LP60A1ASRB](#) [LP60A2ASWW](#)
[LP60A1ASWW](#) [LP60A1ASGG](#) [LP60A2ASRGB](#) [LP60A1ASRGB](#)