

General Specifications

Motor Protection:

Auto Restart/Polarity Protection

Insulation Resistance:

10M Ω or over with a DC500V Megger

Dielectric Withstand Voltage: AC 700V 1s

Allowable Ambient Temperature Range:

-10°C ~ +70°C (Operating)

-40°C ~ +70°C (Storage)

Expected Life

Failure Rate: 10%

25°C 60,000 Hours (B00)

Material

Casing : Plastic (Black) 94V-0

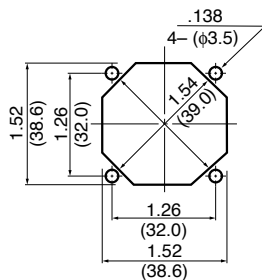
Impeller : Plastic (Black) 94V-0

Bearing : Ball Bearing

Lead Wire : UL1061, AWG26, +Red, -Black

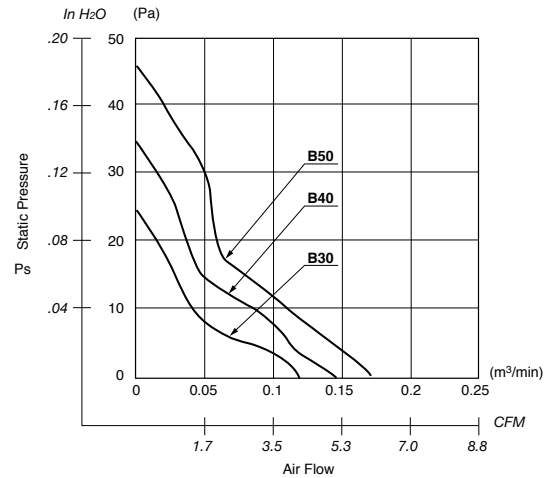
Panel Cut-Outs

Units: $\frac{\text{inch}}{\text{(mm)}}$

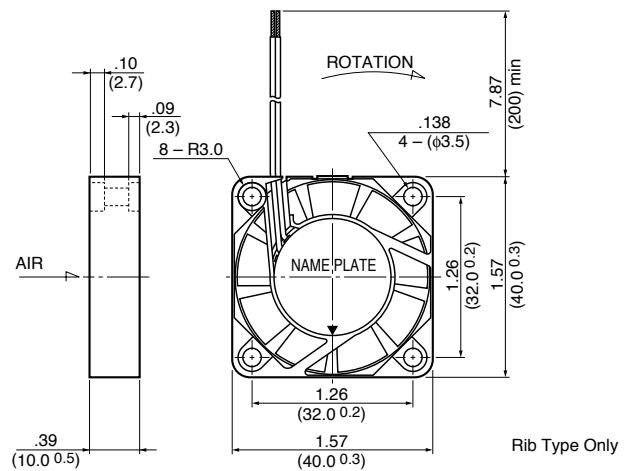


INLET SIDE / OUTLET SIDE

Characteristic Curves



Outline



Rib Type Only

Specifications

MODEL	Product No.	Rated Voltage	Operating Voltage	Current	Input Power	Speed	Max. Air Flow		Max. Static Pressure		Noise	Mass
		(V)	(V)	(A) ^{*1}	(W) ^{*1}	(min ⁻¹) ^{*1}	CFM ^{*1}	(m ³ /min) ^{*1}	in H ₂ O	(Pa) ^{*1}	(dB) ^{*1}	(g)
1604KL-01W-B30-	X00	5	4.5 ~ 5.5	0.075	0.375	4500	4.2	0.12	.096	24.0	22.0	15
1604KL-01W-B40-	X00	5	4.5 ~ 5.5	0.120	0.600	5500	5.3	0.15	.136	34.0	25.0	15
1604KL-01W-B50-	X00	5	4.5 ~ 5.5	0.155	0.775	6500	6.0	0.17	.184	46.0	29.0	15
1604KL-04W-B30-	X00	12	10.2 ~ 13.8	0.062	0.744	4500	4.2	0.12	.096	24.0	22.0	15
1604KL-04W-B40-	X00	12	10.2 ~ 13.8	0.073	0.876	5500	5.3	0.15	.136	34.0	25.0	15
1604KL-04W-B50-	X00	12	10.2 ~ 13.8	0.073	0.876	6500	6.0	0.17	.184	46.0	29.0	15

Rotation: Clockwise

Airflow Outlet: Air Out Over Struts

*1: Average Values in Free Air

Mouser Electronics

Authorized Distributor

Click to View Pricing, Inventory, Delivery & Lifecycle Information:

[NMB Technologies:](#)

<u>1604KL-01W-B30-B00</u>	<u>1604KL-04W-B49-B50</u>	<u>1604KL-04W-B59-B00</u>	<u>1604KL-01W-B49-B50</u>	<u>1604KL-01W-B39-B00</u>
<u>1604KL-04W-B40-B00</u>	<u>1604KL-04W-B49-B00</u>	<u>1604KL-01W-B50-B00</u>	<u>1604KL-01W-B59-B50</u>	<u>1604KL-01W-B40-B00</u>
<u>1604KL-04W-B50-B00</u>	<u>1604KL-04W-B39-B00</u>	<u>1604KL-04W-B30-B00</u>	<u>1604KL-04W-B39-B50</u>	<u>1604KL-01W-B59-B00</u>
<u>1604KL-01W-B39-B50</u>	<u>1604KL-01W-B49-B00</u>	<u>1604KL-04W-B59-B50</u>	<u>1604KL-05W-B30-B00</u>	