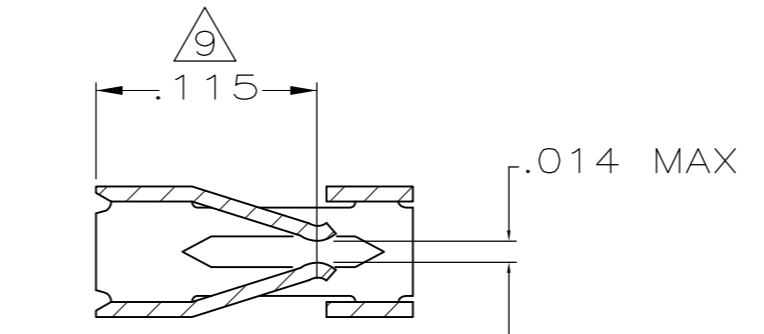
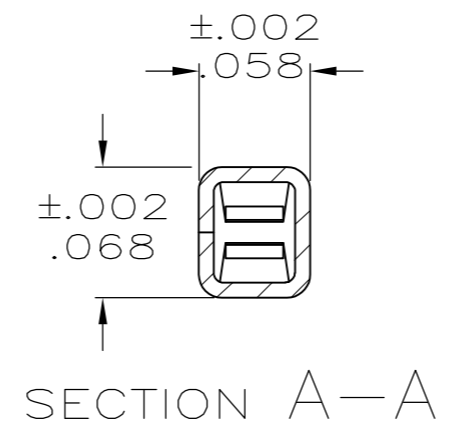
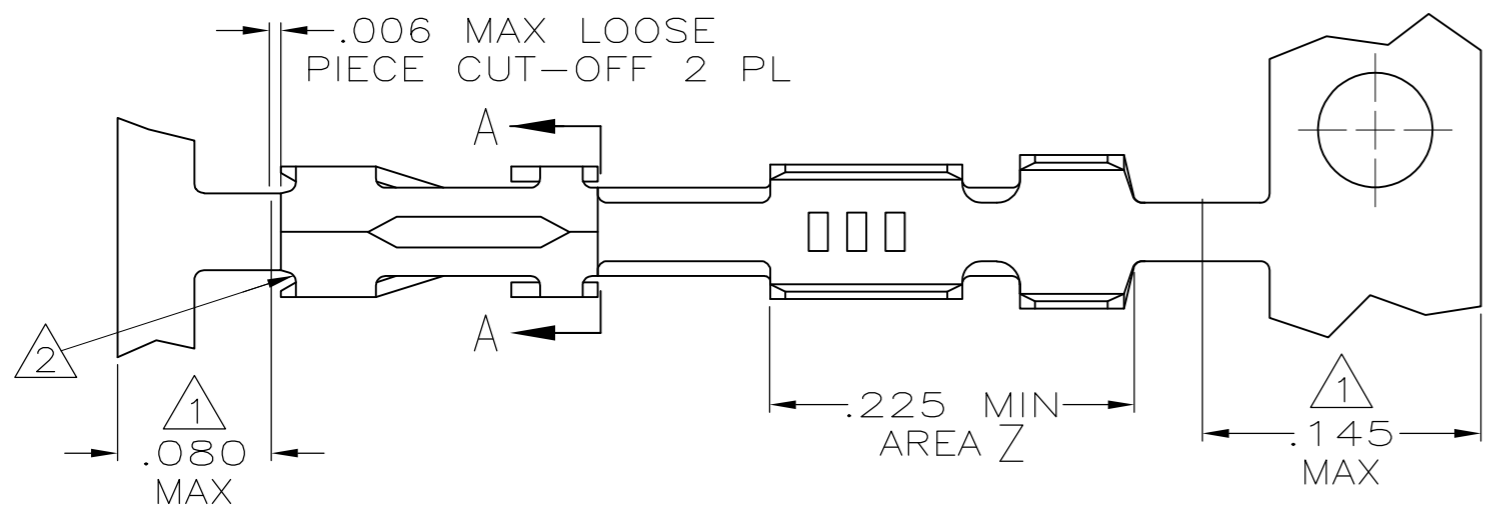
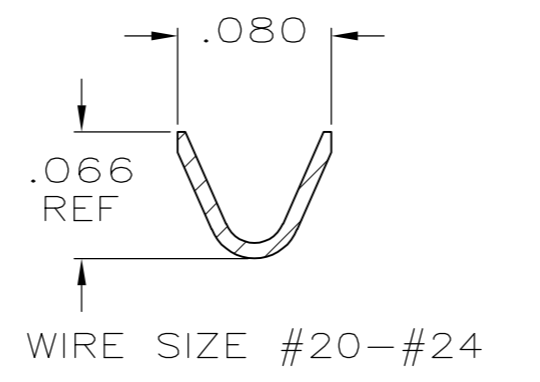


THIS DRAWING IS UNPUBLISHED. RELEASED FOR PUBLICATION
 © COPYRIGHT - By - ALL RIGHTS RESERVED.

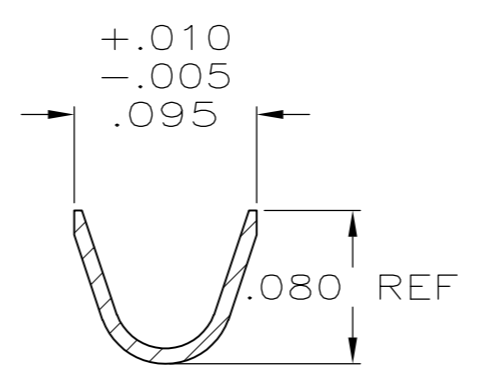
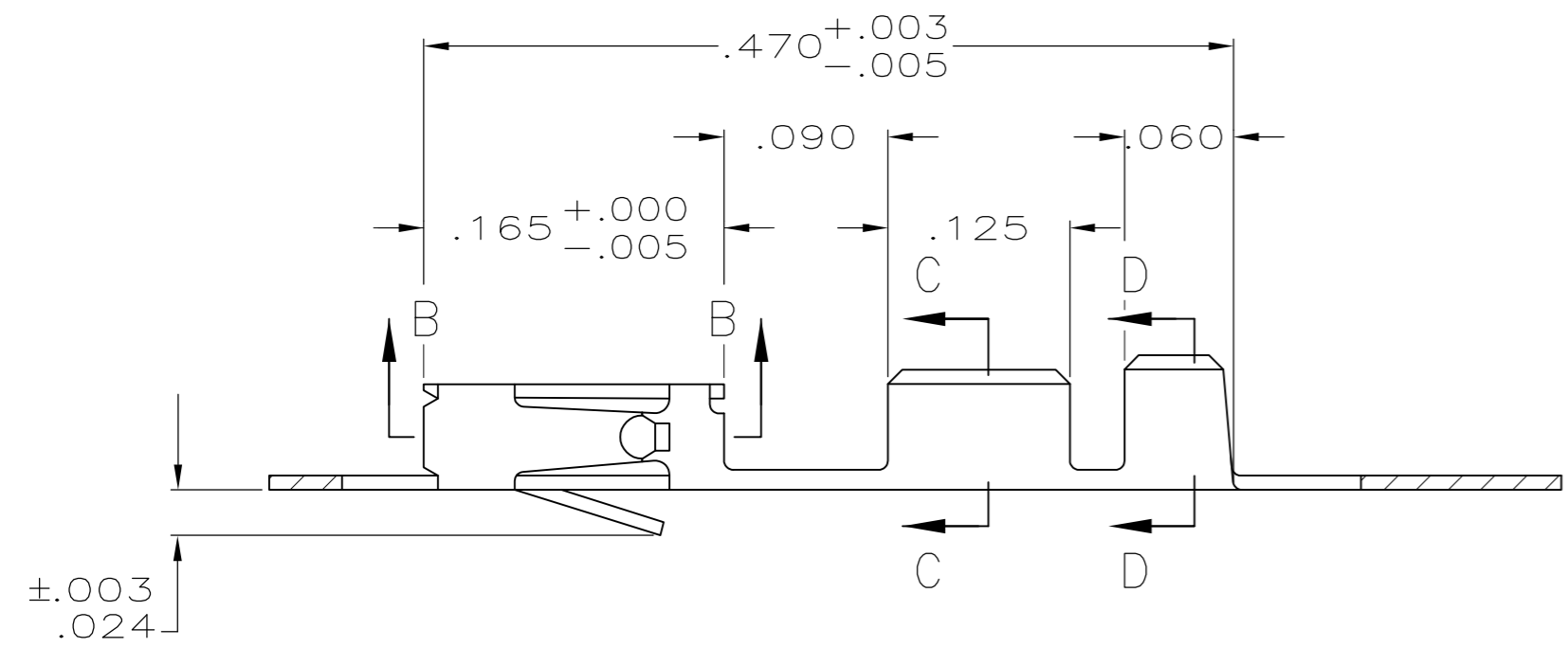
LOC	DIST	REVISIONS			
P	LTR	DESCRIPTION	DATE	DWN	APVD
AD	00	M1	REVISED PER ECO-11-004917	11MAR11	RK HMR



SECTION B-B



SECTION C-C



INSULATION RANGE .069 MAX

SECTION D-D

- 1 GOLD PLATING IS NOT REQUIRED IN THIS AREA.
- 2 CUT-OUTS ON THE BOX ARE AT MANUFACTURERS OPTION.
- 3 THIS TERMINAL IS REELED FOR THE STANDARD APPLICATOR.
- 4 THIS TERMINAL IS REELED FOR THE MINI APPLICATOR.
- 5 .000015 GOLD ON THE CONTACT AREA, GOLD FLASH ON THE REMAINDER ALL OVER .000050 NICKEL.
- 6 .000030 GOLD OVER .000050 NICKEL.
- 7 .000030 GOLD ON THE CONTACT AREA, GOLD FLASH ON THE REMAINDER ALL OVER .000050 NICKEL.
- 8 .000100-.000200 BRIGHT TIN-LEAD OVER .000050 NICKEL.
- 9 POINT OF MEASUREMENT FOR PLATING THICKNESS (INSIDE BEAMS).
- 10 SHEARED EDGES ARE PERMITTED TO BE UNPLATED.
- 11 .000015 GOLD ON THE CONTACT AREA, .000100-.000200 BRIGHT TIN-LEAD ON AREA Z, ALL OVER .000050 NICKEL.
- 12 .000030 GOLD ON THE CONTACT AREA, .000100-.000200 BRIGHT TIN-LEAD ON AREA Z, ALL OVER .000050 NICKEL.
- 13 .000030 GOLD ON CONTACT AREA, .000100-.000200 TIN ON AREA Z, ALL OVER .000050 NICKEL.
- 14 .000015 GOLD ON CONTACT AREA, .000100-.000200 TIN ON AREA Z, ALL OVER .000050 NICKEL.

REMARKS	FINISH	LOOSE PIECE PART NUMBER	PART NUMBER		
4	10	14	2-87195-5	2-87195-4	
4	10	13	2-87195-6	2-87195-3	
4	10	12	2-87195-1	2-87195-0	
	4	10	11	1-87195-8	1-87195-7
OBSOLETE	4	8	1-87195-6	1-87195-5	
OBSOLETE	3	8	1-87195-6	1-87195-4	
OBSOLETE	4	7	1-87195-0	87195-9	
OBSOLETE	3	7	1-87195-0	87195-8	
OBSOLETE	4	6	87195-7	87195-6	
OBSOLETE	3	6	87195-7	87195-5	
OBSOLETE	4	5	87195-4	87195-3	
OBSOLETE	3	5	87195-4	87195-2	

THIS DRAWING IS A CONTROLLED DOCUMENT.

DWN	L.D.RINGLEY	1-6-86
CHK	J.L.GESFORD	1-6-86
APVD	J.GESFORD	1-6-86

TE Connectivity

NAME: CONTACT, MOD IV 1/2, RECEPTACLE, CRIMP

PRODUCT SPEC: 108-25,021

APPLICATION SPEC: 114-25,003

MATERIAL: CU-SN-P, ALLOY

FINISH: SEE TABLE

WEIGHT: -

CUSTOMER DRAWING

SCALE: 10:1

SHEET: 1 of 1

REV: M1

Mouser Electronics

Authorized Distributor

Click to View Pricing, Inventory, Delivery & Lifecycle Information:

[TE Connectivity:](#)

[2-87195-0](#)