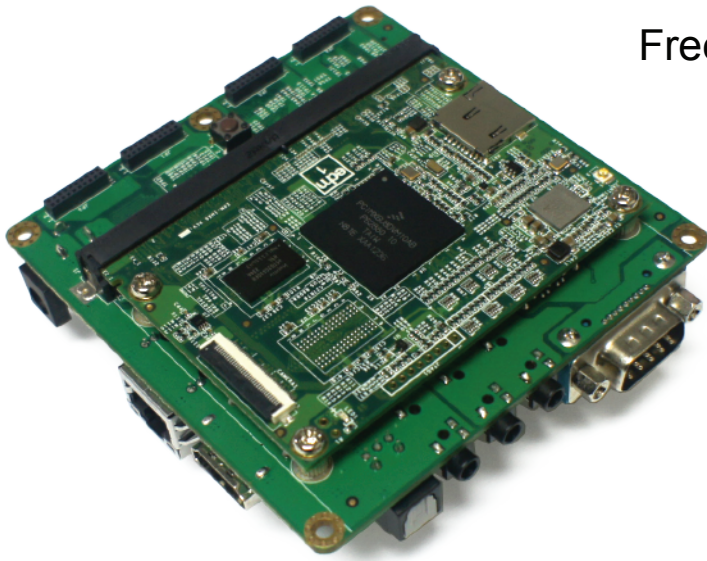


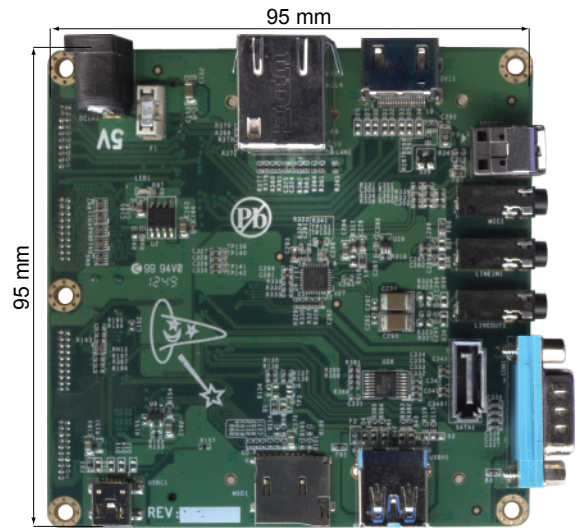
**WANDBOARD.ORG**



Freescale i.MX6 Cortex-A9

Low cost open source community  
Development Board

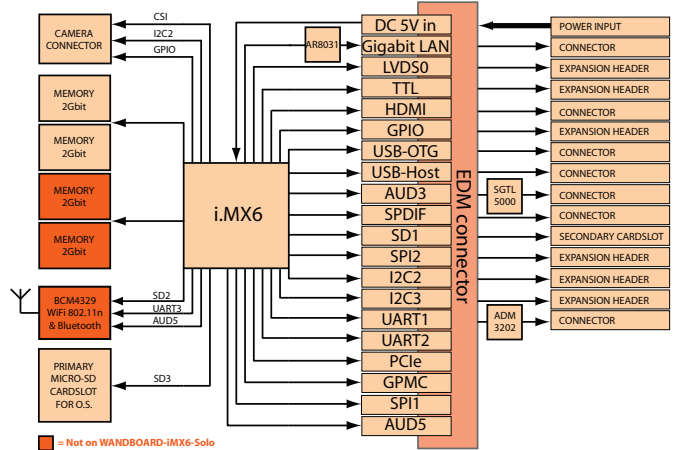
## Dimensional drawing



## Specifications

	Wandboard Solo	Wandboard Dual	Wandboard Quad
<b>Processor</b>	i.MX6 Solo	i.MX6 DualLite	i.MX6 Quad
<b>Cores</b>	ARM Cortex-A9 Single core @ 1GHz	ARM Cortex-A9 Dual core @ 1GHz	ARM Cortex-A9 Quad core @ 1GHz
<b>Memory</b>	512 MB DDR3	1 GB DDR3	2 GB DDR3
<b>Audio</b>	✓	✓	✓
<b>Optical S/PDIF</b>	✓	✓	✓
<b>HDMI</b>	✓	✓	✓
<b>Camera interface</b>	✓	✓	✓
<b>micro SD cardslot</b>	2	2	2
<b>Serial port</b>	✓	✓	✓
<b>Expansion Header</b>	✓	✓	✓
<b>USB</b>	✓	✓	✓
<b>USB OTG</b>	✓	✓	✓
<b>SATA connector</b>	X	X	✓
<b>Gigabit LAN</b>	✓	✓	✓
<b>WIFI (802.11n)</b>	X	✓	✓
<b>Bluetooth</b>	X	✓	✓

## Block diagram



## Order information

wbsolo  
wbdual  
wbquad  
wbenclosure  
wbantennakit

Wandboard i.MX6 Solo  
Wandboard i.MX6 DualLite  
Wandboard i.MX6 Quad  
Wandboard enclosure  
Wandboard antenna kit



Complete Schematics, Source Code and  
Documentation can be found on  
[www.wandboard.org](http://www.wandboard.org)

# Mouser Electronics

Authorized Distributor

Click to View Pricing, Inventory, Delivery & Lifecycle Information:

[Wandboard:](#)

[WBANTENNAKIT](#) [WBDUAL](#) [WBENCLOSURE](#) [WBSOLO](#) [WBQUAD](#)