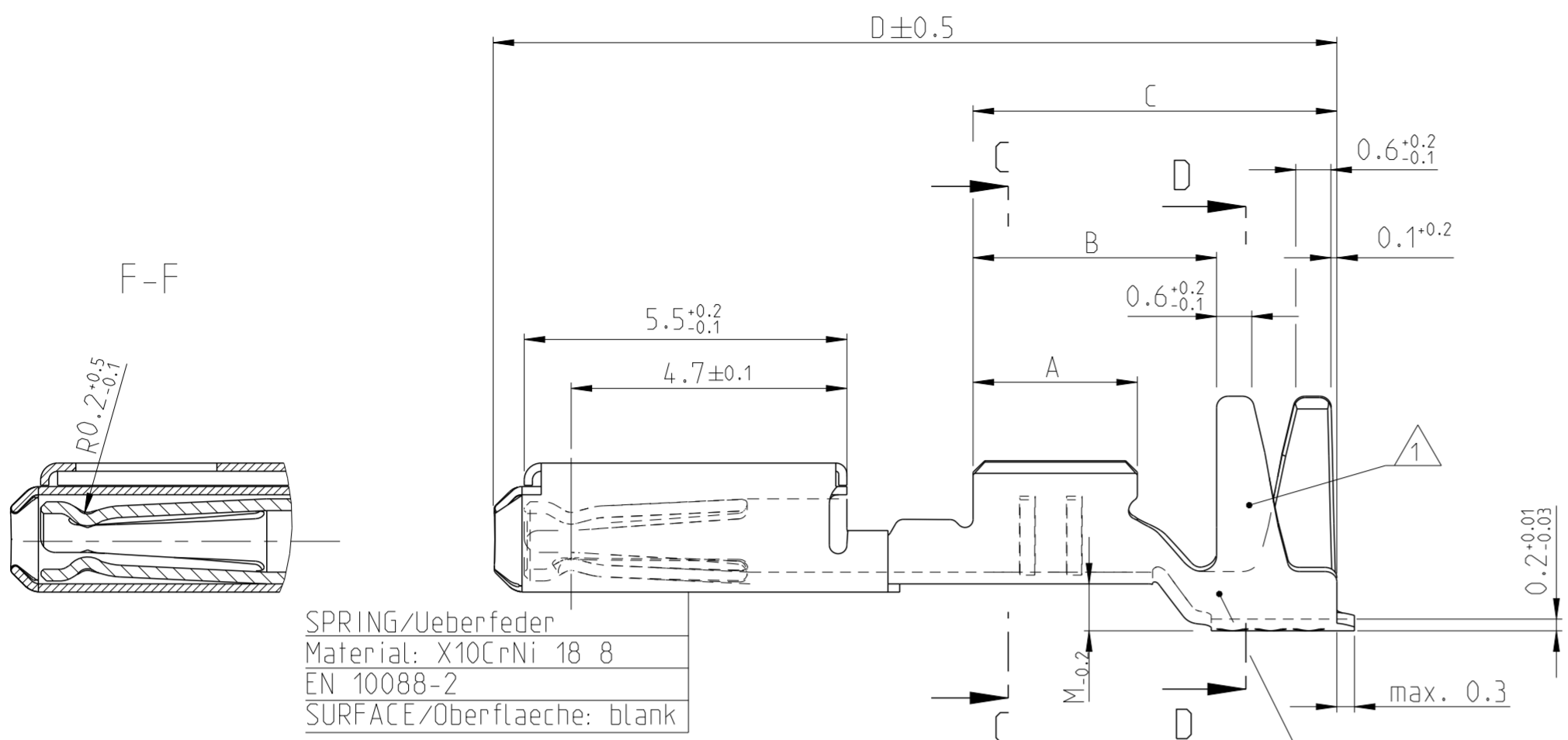
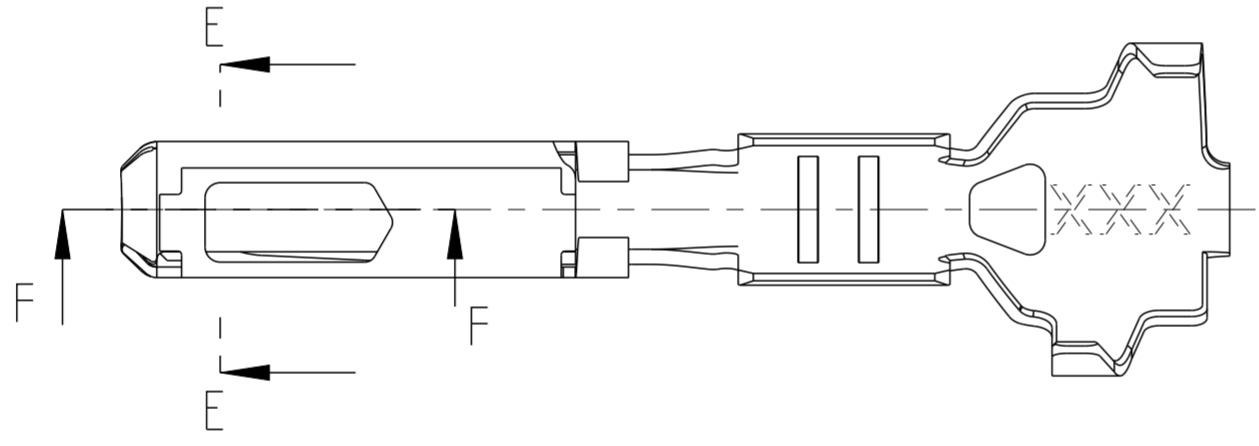
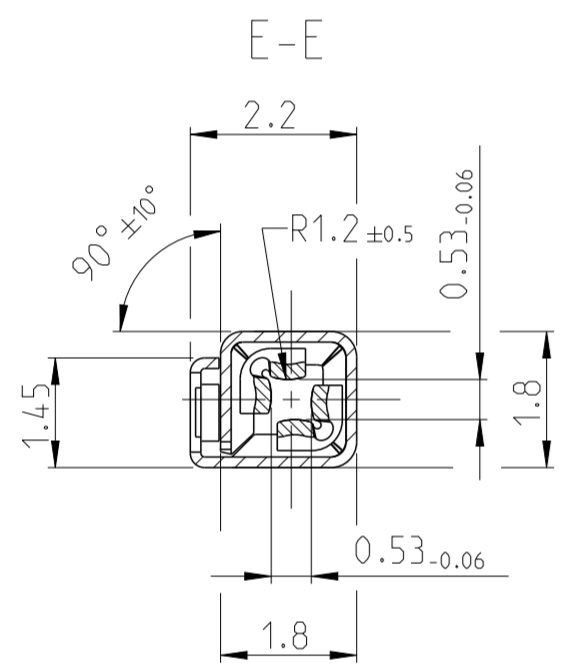


LOC		DIST		REVISIONS			
P	LTR	DESCRIPTION	DATE	DWN	APVD		
A1	-						
A2		LP variants removed. ECR-13-015135	30SEP2013	Abr	Brun		
A3		Design 2 and PN 2288140 added. ECR-14-018067	20NOV2014	Bren	Brun		
A4		Dimension of ISO-Crimp changed. ECR-17-006253	02MAY2017	HO.	BRUN		
A5		WIRE SIZE RANGE 0.22 added. PCN E-17-016682	13NOV2017	MAH.	BRUN		

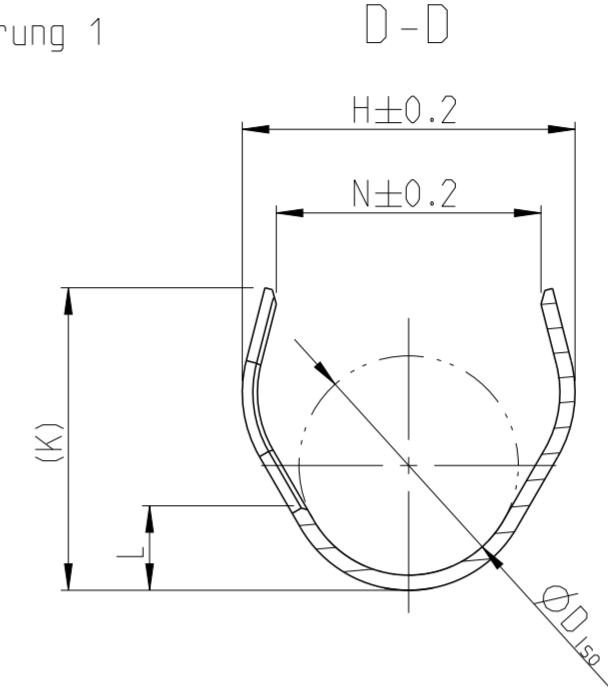
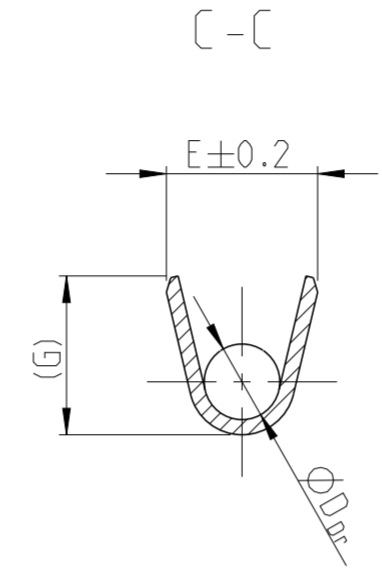


SPRING/ueberfeder  
 Material: X10CrNi 18 8  
 EN 10088-2  
 SURFACE/Oberflaeche: blank

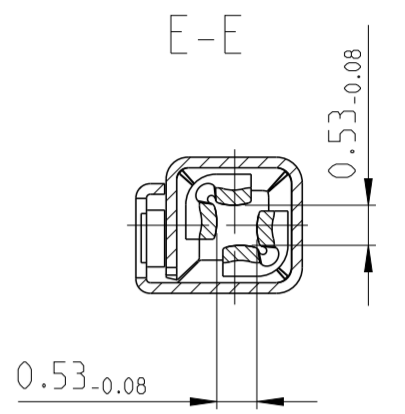
BODY/Kontaktkoerper  
 Material: CuNiSi  
 Oberflaeche: siehe Tabelle  
 SURFACE: SEE CHART



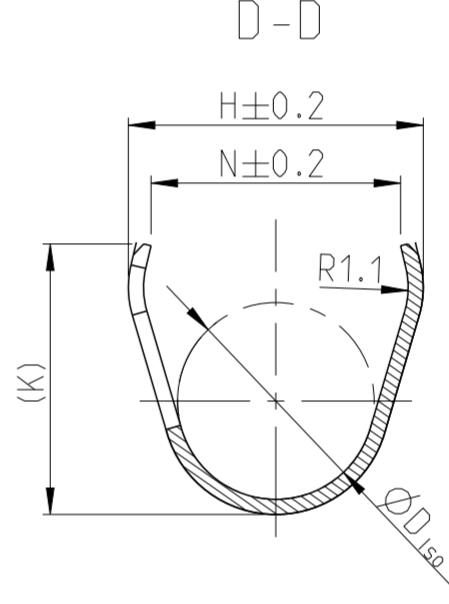
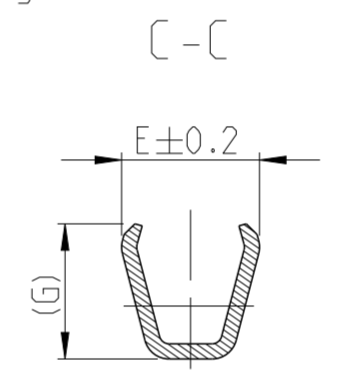
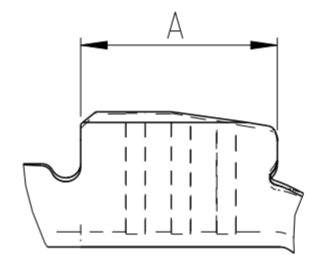
DESIGN 1 / Ausfuehrung 1



GOLD VERSION  
 Vergoldete Ausfuehrung

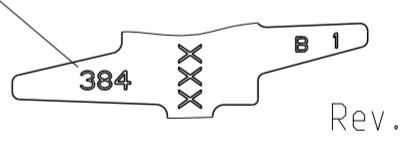


DESIGN 2 / Ausfuehrung 2



NOTES  
 Bemerkungen

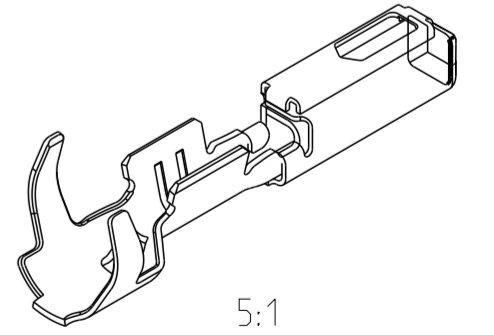
- DATE-CODE (WEEK/YEAR (E.G. WEEK NUMBER 38/ YEAR 2004) AND TE REVISION (E.G. REV. B)  
 Datumscode (Woche / Jahr, z.B. KW 38/ Jahr 2004) und TE-Revision (z.B. Rev.B)
- SUITABLE FOR PIN CONTACT SEE DRAWING: TE: 929453  
 Passend zu Stiftkontakt siehe Zeichnung: TE: 929453
- DETAILS OF DESIGN ARE LEFT TO MANUFACTURER  
 Einzelheiten der Ausfuehrung bleiben dem Hersteller ueberlassen



A5

Order No.	Design	Rev	DGB Wire Size Range mm <sup>2</sup>	Surface	Length mm	Wire Crimp mm	ISO-crimp mm	Wire Size Range mm <sup>2</sup>	Insulation Dia. mm	For Cavity Dia. mm	Blindstopfen RUBBER PLUG	For Cavity Dia. mm	Blindstopfen RUBBER PLUG
2288140-1	A		0.22-0.35	Sn	A = 2.6 B = 4.2 C = 6.2 D = 14.2 M = 0.8	E = 1.8 G = 1.8	H = 3.9 K = 3.58 N = 3.3 D Iso = 2.6	0.22-0.35	0.9-1.4	967067-2 gelb YELLOW	967056-1 blau / BLUE	963142-2 grau GREY	967056-1 blau / BLUE
1703032-5	A		0.5-0.75	Au	A = 2.8 B = 4.2 C = 6.2 D = 14.2 M = 0.8	E = 2 G = 2.1 D Dr = 1	H = 4.4 K = 4 L = 1.5 N = 3.5 D Iso = 2.9	0.5-0.75	1.4-1.9	967067-1 gruen GREEN	967056-1 blau / BLUE	963142-1 schwarz BLACK	967056-1 blau / BLUE
1703032-1	A		0.5-0.75	Sn	A = 2.8 B = 4.2 C = 6.2 D = 14.2 M = 0.8	E = 2 G = 2.1 D Dr = 1	H = 4.4 K = 4 L = 1.5 N = 3.5 D Iso = 2.9	0.5-0.75	1.4-1.9	967067-1 gruen GREEN	967056-1 blau / BLUE	963142-1 schwarz BLACK	967056-1 blau / BLUE

zugehoerige Einzeldichtung / SUITABLE SINGLE WIRE SEAL



THIS DRAWING IS A CONTROLLED DOCUMENT.

DIMENSIONS: mm	TOLERANCES UNLESS OTHERWISE SPECIFIED: ±0.2	DWN Abraham.G. 01JUN2004	TE Connectivity
MATERIAL	FINISH	CHK Kampmann.H. 02JUN2004	
		APVD Bleicher.M. 27SEP2004	
		PRODUCT SPEC 108-18030	
		APPLICATION SPEC 114-18025	NAME MQS SOCKET CONTACT CLEANBODY SWS Tabellenzeichnung Buchsenkontakt
		WEIGHT 0.13 g	SIZE A2 CAGE CODE 00779 DRAWING NO C-1703040 RESTRICTED TO -
		Customer Drawing	SCALE 10:1 SHEET 1 OF 1 REV A5

# Mouser Electronics

Authorized Distributor

Click to View Pricing, Inventory, Delivery & Lifecycle Information:

[TE Connectivity:](#)

[1703032-1](#)