

**PLEASE CHECK WWW.MOLEX.COM FOR LATEST PART INFORMATION**

**Part Number:** **0190020008**  
**Status:** **Active**  
**Overview:** Standard Quick-Disconnect Terminals  
**Description:** Avikrimp Fully Insulated Quick Disconnect, Female, for 18-22 AWG Wire, Metal Strip

**Documents:**

<a href="#">3D Model</a>	<a href="#">Product Specification PS-19902-011-001 (PDF)</a>
<a href="#">Drawing (PDF)</a>	<a href="#">Product Specification PS-19902-014-001 (PDF)</a>
<a href="#">3D Model (PDF)</a>	<a href="#">RoHS Certificate of Compliance (PDF)</a>

**Agency Certification**

CSA	LR18689
UL	E79133

**General**

Product Family	Quick Disconnects
Series	<u>19002</u>
Crimp Quality Equipment	Yes
Insulated	Fully
Overview	<u>Standard Quick-Disconnect Terminals</u>
Product Name	Avikrimp
Type	Quick Disconnect
UPC	800753027015

**Physical**

Barrel Type	Closed
Color - Resin	Red
Flammability	94V-2
Gender	Female
Glow-Wire Capable	No
Insulation	Nylon (PA)
Lock to Mating Part	None
Material - Metal	Brass
Material - Plating Mating	Tin
Material - Plating Termination	Tin
Net Weight	0.839/g
Orientation	Straight
Packaging Type	Reel
Polarized to Mating Part	No
Tab Thickness	0.51mm
Tab Width	4.75mm
Temperature Range - Operating	-65° to +105°C
Wire Insulation Diameter	3.17mm max.
Wire Size AWG	18, 20, 22

**Electrical**

Voltage - Maximum	300V
-------------------	------

**Solder Process Data**

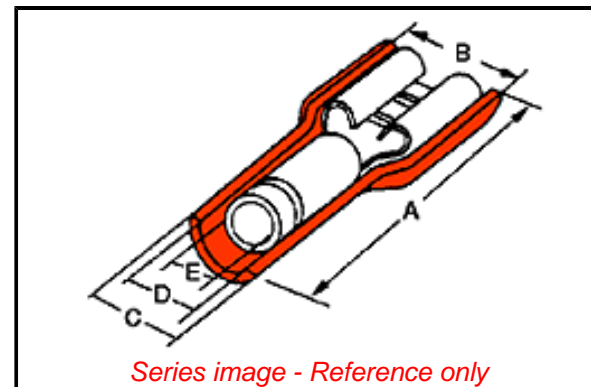
Lead-free Process Capability	N/A
------------------------------	-----

**Material Info**

Engineering Number	AA-5267Z
--------------------	----------

**Reference - Drawing Numbers**

Product Specification	PS-19902-011-001, PS-19902-014-001
Sales Drawing	SD-19002-003-001



**EU ELV**

**Not Relevant**

**EU RoHS**

**Compliant**

**REACH SVHC**

Not Contained Per -  
ECHA\_01\_2020 (16  
January 2020

**Halogen-Free**

**Status**

**Low-Halogen**

For more information, please visit [Contact US](#)

China ROHS

ELV

RoHS Phthalates

**China RoHS**

Green Image

Not Relevant

Not Contained

**Search Parts in this Series**

19002 Series

**Use With**

190010003 , 190010005

**Application Tooling | FAQ**

*Tooling specifications and manuals are found by selecting the products below. Crimp Height Specifications are then contained in the Application Tooling Specification document.*

**Global**

**Description**

**Product #**

Mini-Mac Applicator	<u>638812000</u>
---------------------	------------------

This document was generated on 04/14/2020

**PLEASE CHECK [WWW.MOLEX.COM](http://WWW.MOLEX.COM) FOR LATEST PART INFORMATION**

# Mouser Electronics

Authorized Distributor

Click to View Pricing, Inventory, Delivery & Lifecycle Information:

[Molex:](#)

[19002-0008](#)