

# TSTFT3.5Z

(Touch Panel)

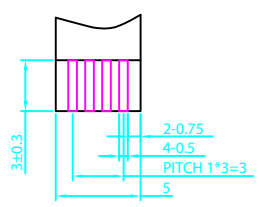
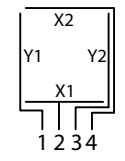
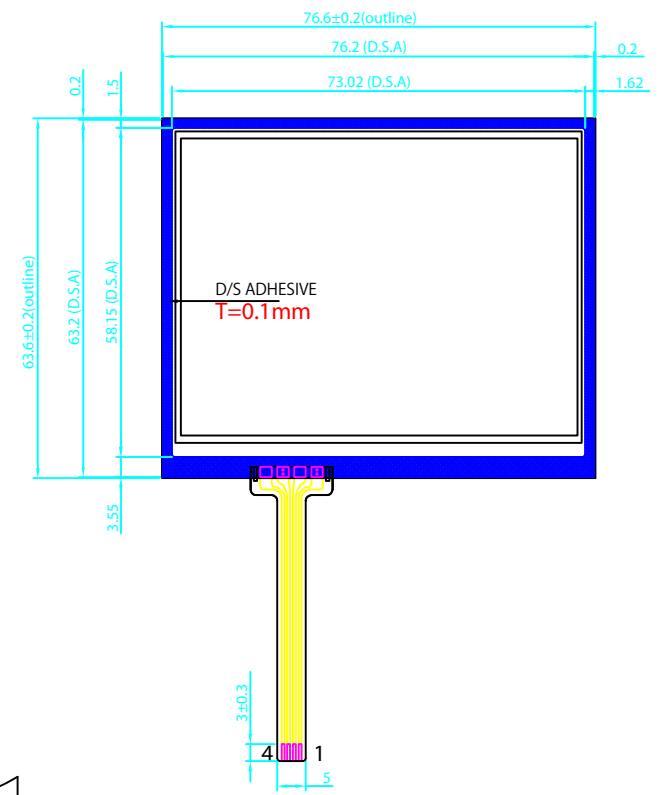
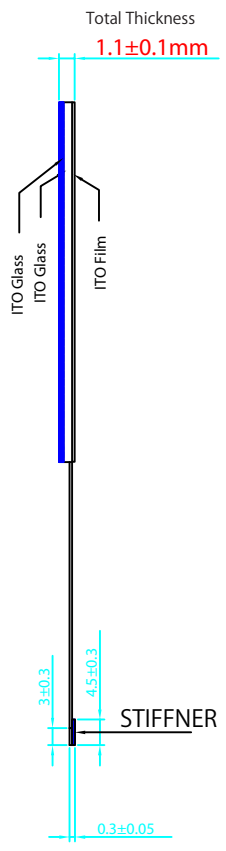
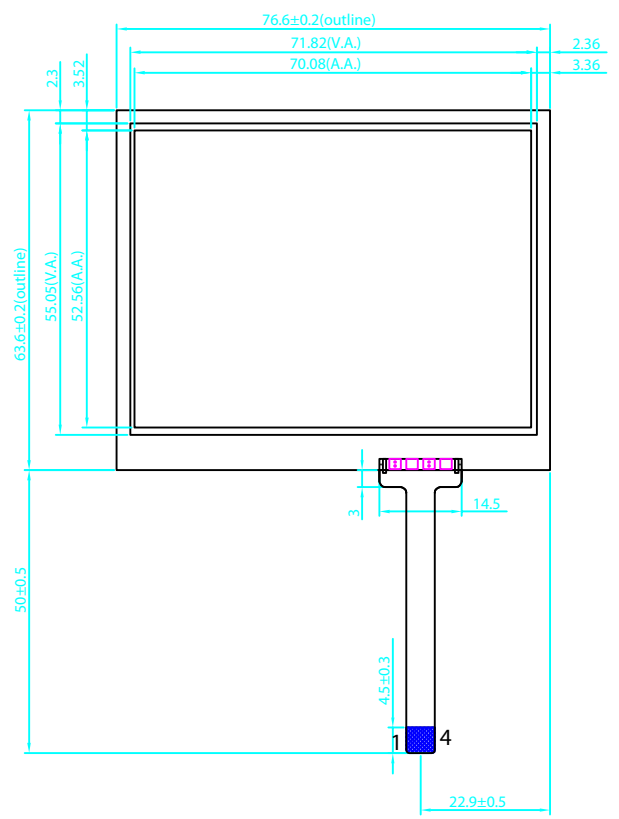
RoHS Compliant

## For product support, contact

Newhaven Display International  
2511 Technology Drive #101  
Elgin, IL 60124  
Tel: (847) 844-8795 Fax: (847) 844-8796

March 31, 2010

RevNo	Revision note	Date	Signature	Checked
-------	---------------	------	-----------	---------



- 1 . GLASS THICKNESS: 0.7mm
- 2 . Operating Temperature: - 10°C~+60°C, Storage Temperature:- 20°C~+70°C
- 3 . Linearity:  $\leq \pm 1.5\%$
- 4 . Transmittance:  $>75\%$
- 5 . Circuit Resistance: X:200~900Ω, Y: 200~900Ω
- 6 . Surface Hardness: ( $\geq 3H$ )
- 7 . Durability:  $>1,000,000$  Touches
- 8 . RoHS

FPC DETAIL(1:3)

THIRD ANGLE PROJECTION		Dimensions	Scale	<b>Newhaven Display International</b>
		mm	1:1	
APPROVE	NAME	DATE	Dwg Name	
CHECK			Touch Panel	
DESIGN			Dwg No.	TSTFT3.5Z
DRAWN			Customer Name	Customer No.

# Mouser Electronics

Authorized Distributor

Click to View Pricing, Inventory, Delivery & Lifecycle Information:

[Newhaven Display:](#)

[TS-TFT3.5Z](#)