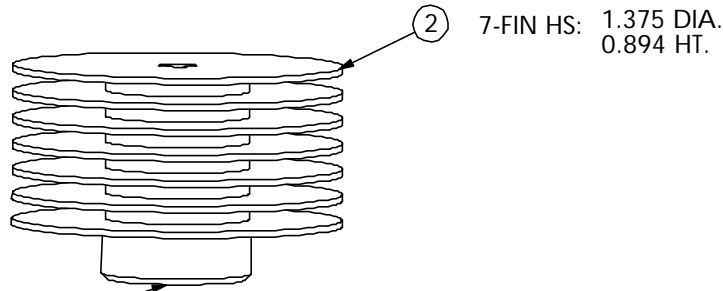
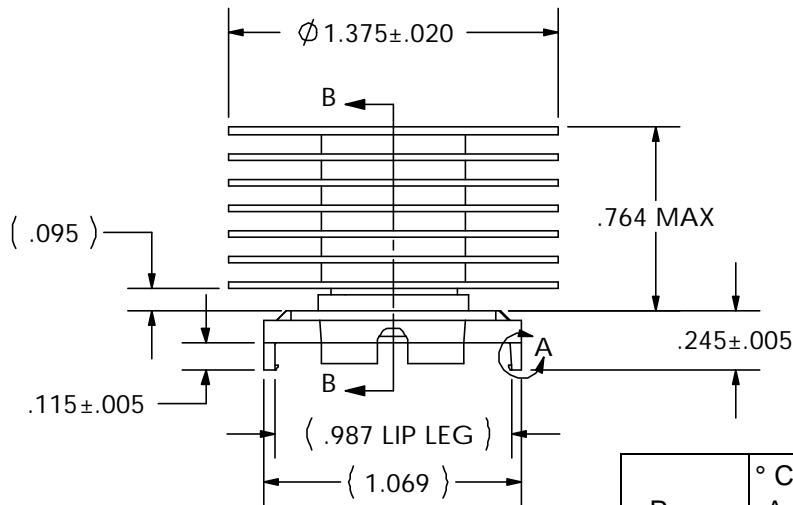
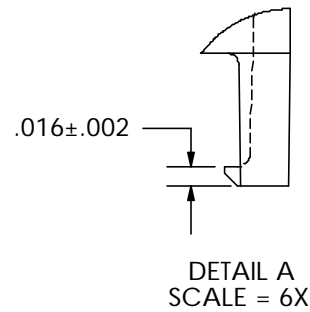


**REVISION(S)**

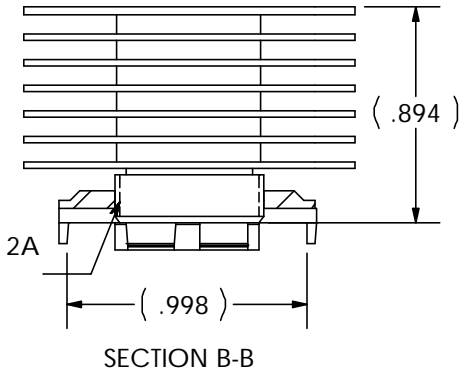
LTR	DESCRIPTION	INIT	APP'D
O	ECN: 0S60-0237-04	E.T 9/23/04	B.P 10/6/04
A	ECR-06-007721	E.T 3/29/06	C.W 3/29/06



4-LEG CLIP SIZE: 25mm



$\phi 5/8"$  - 27 UNS 2A  
THREAD



Power	° C/W @ Ambient	° C/W @ 200 LFM	° C/W @ 400 LFM	° C/W @ 600 LFM
5 Watts	10.56	3.80	3.25	2.20
10 Watts	9.56	3.77	2.97	2.13
15 Watts	8.79	3.75	2.97	2.06

**CUSTOMER DRAWING**

SPECIFICATIONS ARE SUBJECT TO CHANGE WITHOUT NOTICE

ITEM	DESCRIPTION	QTY
1	MOUNTING CLIP	1
2	HEAT SINK	1
3	INTERFACE	1

**tyco** / Electronics    Attleboro Falls Massachusetts 02763

UNLESS OTHERWISE SPECIFIED TOLERANCES ARE:

DRAWN BY:	DATE	MATERIAL:
E.TAO	9/23/04	SEE NOTE
ENGINEER:	DATE	FINISH:
B.PETROCELLI	10/6/04	SEE NOTE
FILENAME	PROJECT	SYSTEM

CONFIDENTIAL PROPERTY OF TYCO ELECTRONICS. NOT TO BE DISCLOSED TO OTHERS. REPRODUCED OR USED FOR ANY PURPOSES EXCEPT AS AUTHORIZED IN WRITING BY AN AUTHORIZED OFFICIAL OF TYCO. MUST BE RETURNED TO TYCO ON DEMAND, ON COMPLETION OF ORDERS OR OTHER PURPOSES FOR WHICH LENT.

TITLE: **25mm HEATSINK ASSEMBLY (HTS664-U)**

DIMENSIONS ARE IN:	SCALE:	PART NO.:	SHEET:
INCHES	1.25:1	<b>4-1542005-0</b>	1 OF 1
THIRD ANGLE PROJECTION	SIZE:	DWG. NO.:	REV.:
	<b>A</b>	<b>C-4-1542005-0</b>	<b>A</b>

# Mouser Electronics

Authorized Distributor

Click to View Pricing, Inventory, Delivery & Lifecycle Information:

[TE Connectivity:](#)

[4-1542005-0](#)