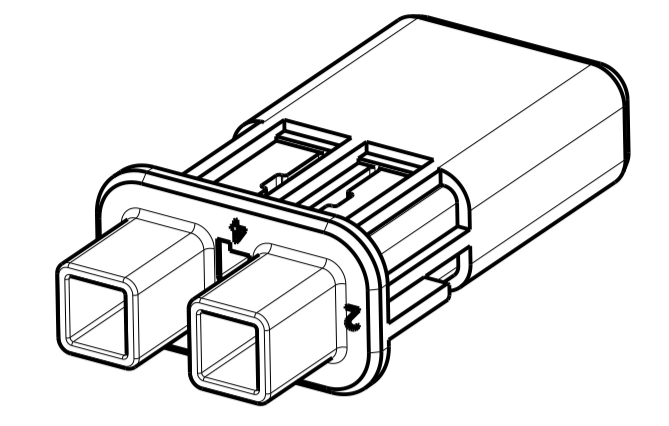
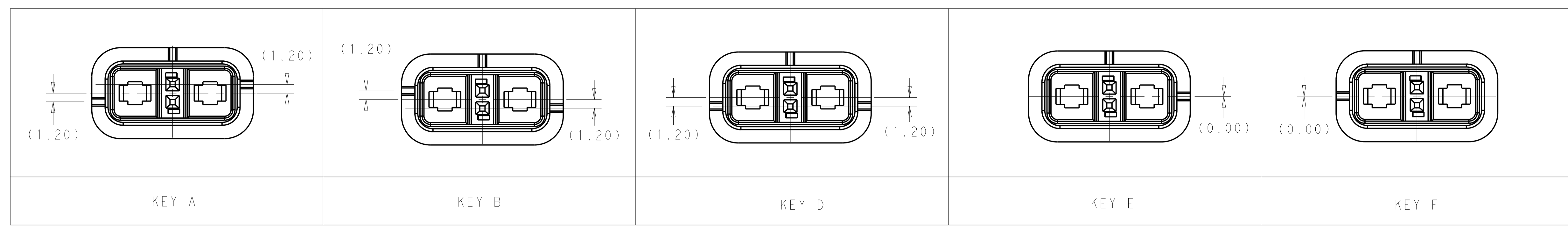
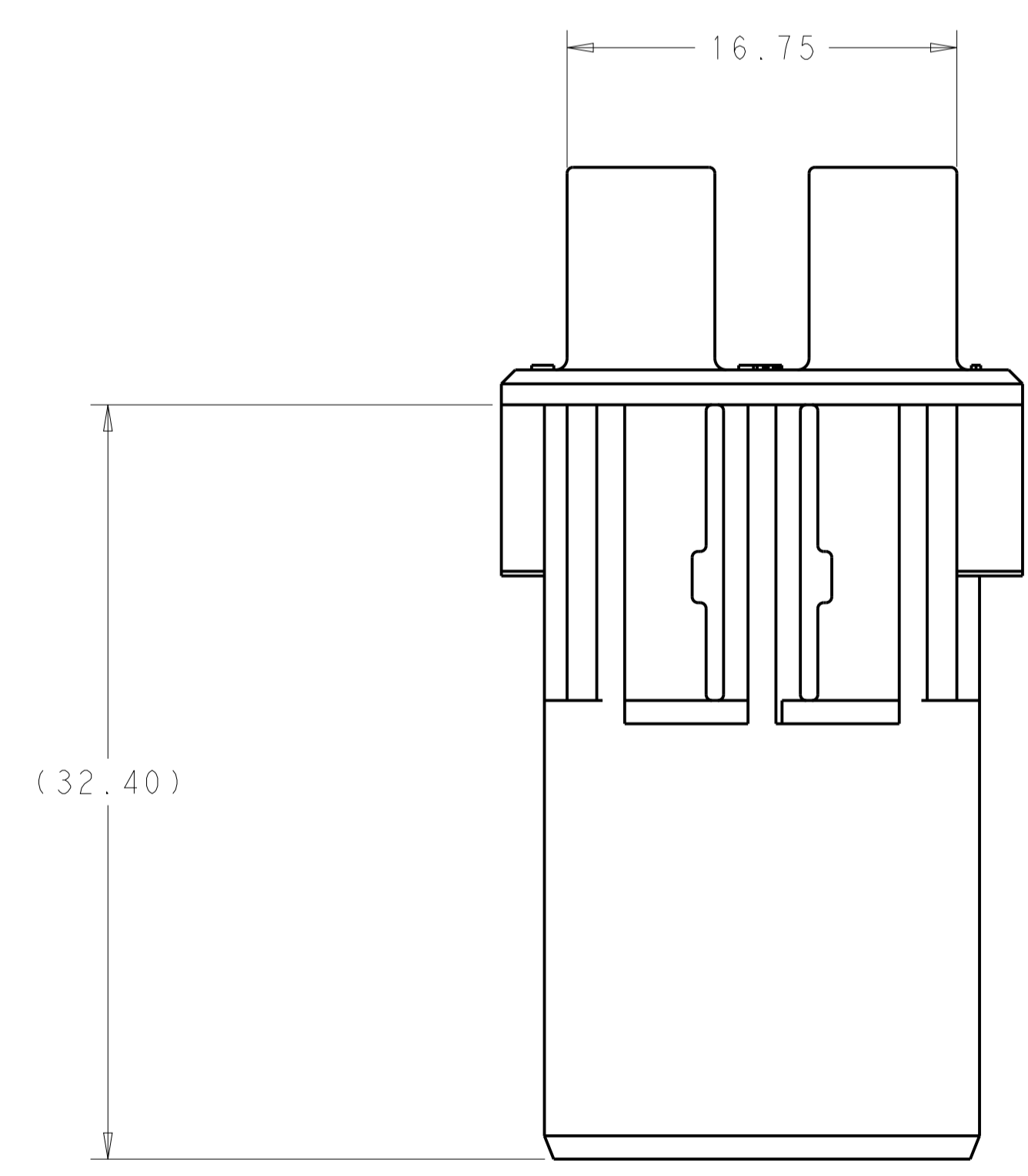
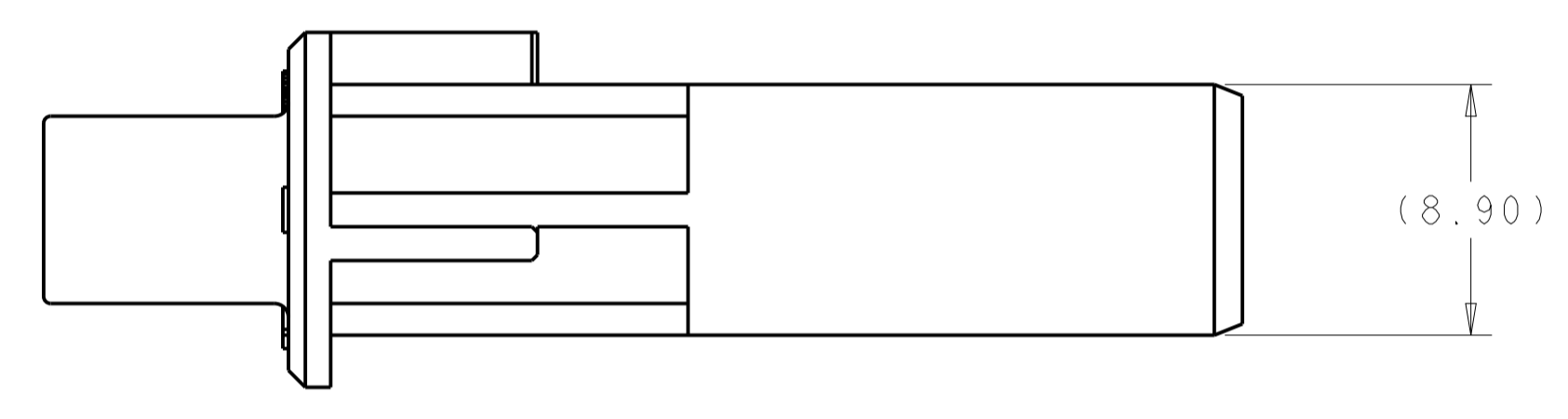
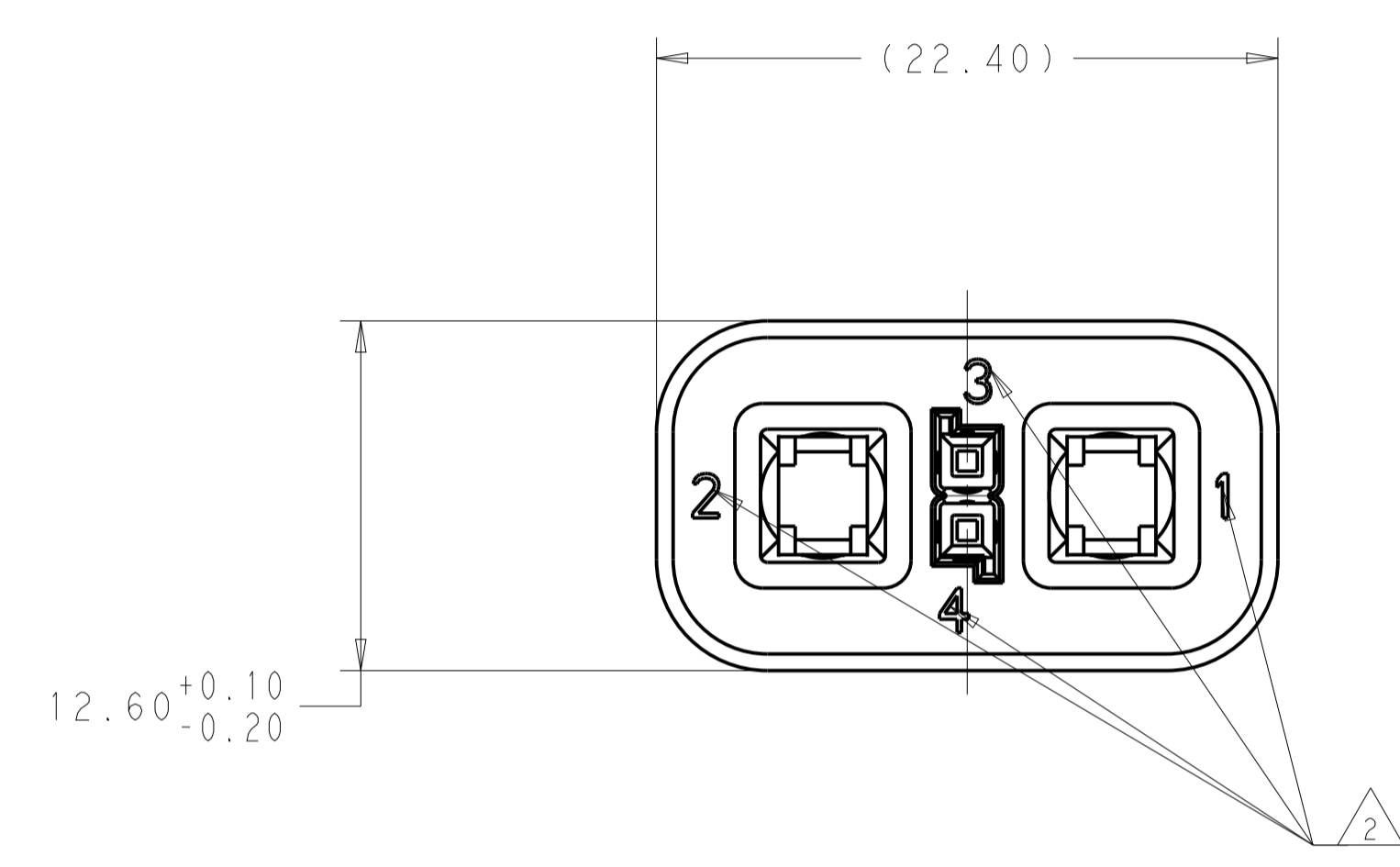
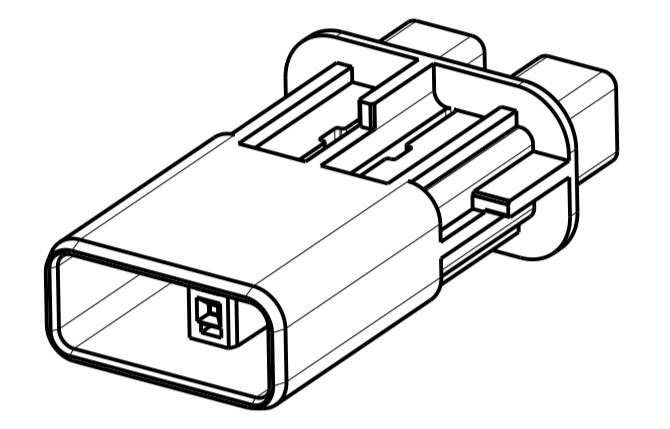


REVISIONS				
P.	LTR.	DESCRIPTION	DATE	APVD
1		INITIAL DRAWING	21MAR2012	AD AD
A		ECO-12-021031	05DEC2012	AD AD
A1		ECO-14-006553	02MAY2014	AD AD



ISOMETRIC VIEWS
SCALE 2:1



⚠ MATERIAL:
TYPE: PA66 33%GF
COLOR: ORANGE

⚠ CIRCUIT ID

INNER HOUSING - KEY F	2103245-6
INNER HOUSING - KEY E	2103245-5
INNER HOUSING - KEY D	2103245-4
INNER HOUSING - KEY B	2103245-2
INNER HOUSING - KEY A	2103245-1
DESCRIPTION	P/N

THIS DRAWING IS A CONTROLLED DOCUMENT.		OWN: A DEHAZAL 21MAR2012	TE Connectivity	
DIMENSIONS: mm		CHK: A DEHAZAL 21MAR2012	NAME: INNER HOUSING, SPLIT HEADER HVA280 2P	
TOLERANCES UNLESS OTHERWISE SPECIFIED:		APVD: A DEHAZAL	PRODUCT SPEC: -	
0 PLC ±0.15		APPLICATION SPEC: -		
1 PLC ±0.1		SIZE: A1 00779 C=2103245		
2 PLC ±0.05		RESTRICTED TO: -		
3 PLC ±0.05		WEIGHT: -		
4 PLC ±0.05		SCALE: 4:1 SHEET 1 OF 1 REV: A1		
ANGLES: ±1°		CUSTOMER DRAWING		
FINISH: -				

Mouser Electronics

Authorized Distributor

Click to View Pricing, Inventory, Delivery & Lifecycle Information:

[TE Connectivity:](#)

[2103245-2](#)