

DC/DC converters PS Part number 88950320



- Power supplies for extended voltage input ranges
- Provide your devices with a constant supply voltage
- Primary/secondary isolation
- Useful in case of battery use

Part numbers

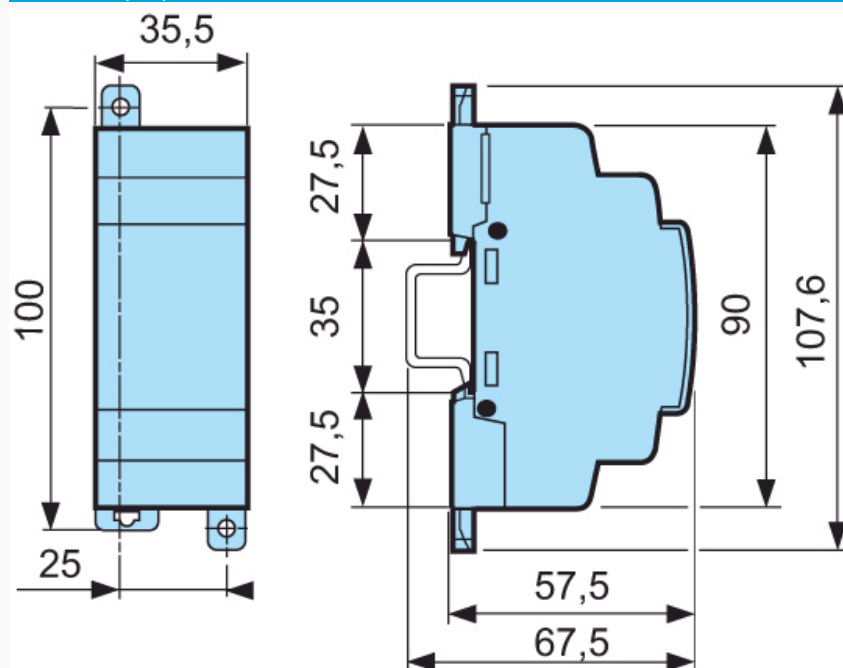
	Type	Input	Output	Nominal power
88950320	PS	9,2-18 V DC	12 V DC	10 W

Specifications

General characteristics

Certifications	CE	CE
Output voltage	12 V DC ± 5 %	24 V DC ± 5 %
Oversvoltage	20 V DC max.	40 V DC max.
Input limits	9,2 → 18 V DC (10 W available)	16 → 36 V DC (10 W available) 9,2 → 16 V DC (see graph)
Isolation primary / secondary	1500 V DC	1500 V DC
Operating temperature	-30 → +70 °C	-30 → +70 °C
Storage temperature (°C)	-40 → +80 °C	-40 → +80 °C
Immunity from micro power cuts	At 10 W : > 1 ms for 9,2 V < U < 12V > 5 ms for U ≥ 12 V At 6 W : > 5 ms for all voltage range	At 10 W : > 1 ms for 16 V < U < 18 V 5 ms for U ≥ 18 V At 6 W : > 1 ms for U < 12 V > 5 ms for 12 V ≤ U < 18 V > 10 ms for U ≥ 18 V

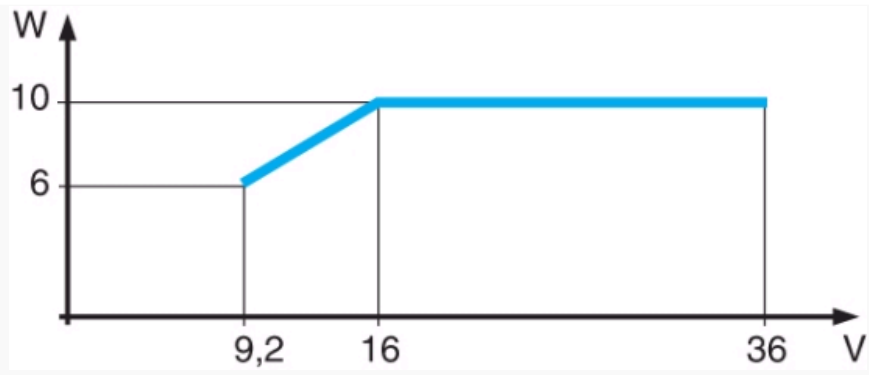
Dimensions (mm)



mm

Curves

Input limits



Product adaptations



- Tropicalisation
- Integration in a resin board version

Mouser Electronics

Authorized Distributor

Click to View Pricing, Inventory, Delivery & Lifecycle Information:

[Crouzet:](#)

[88950320](#)