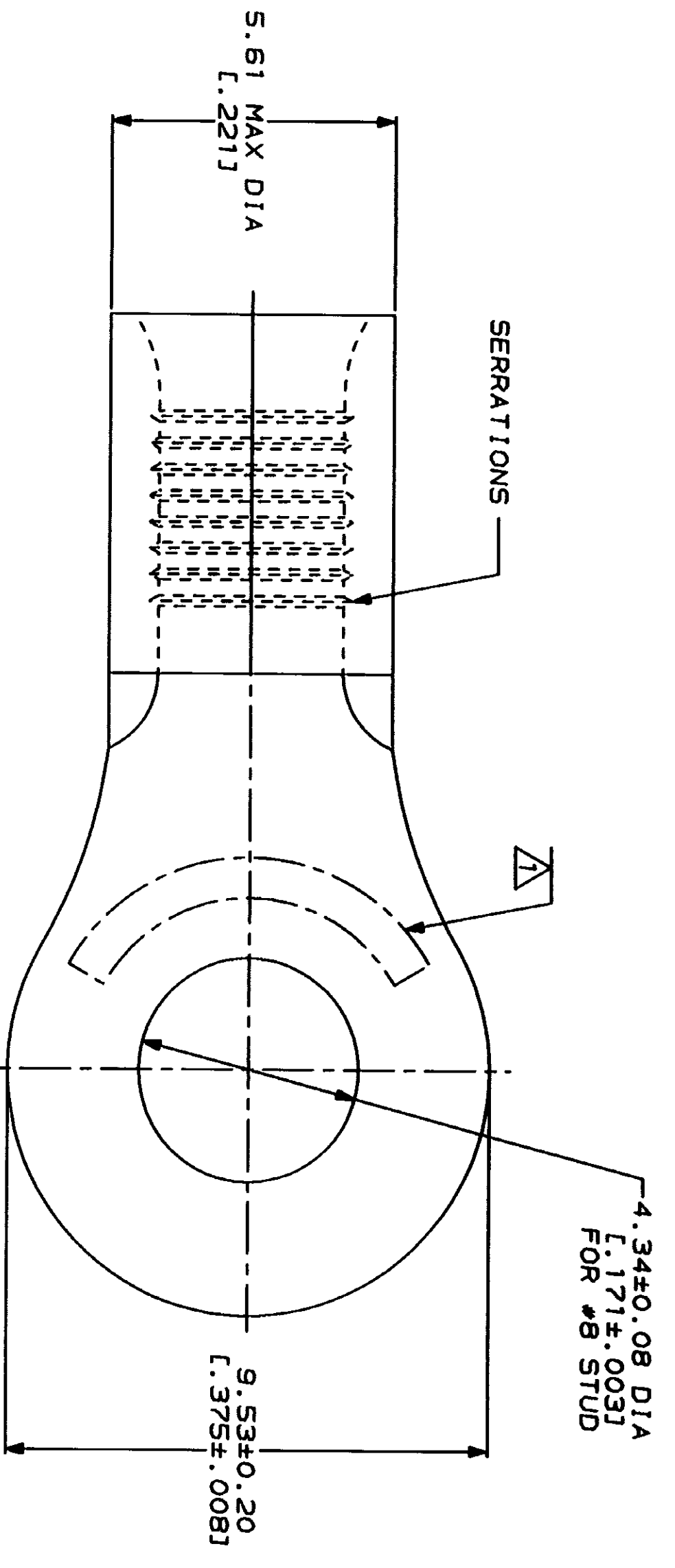


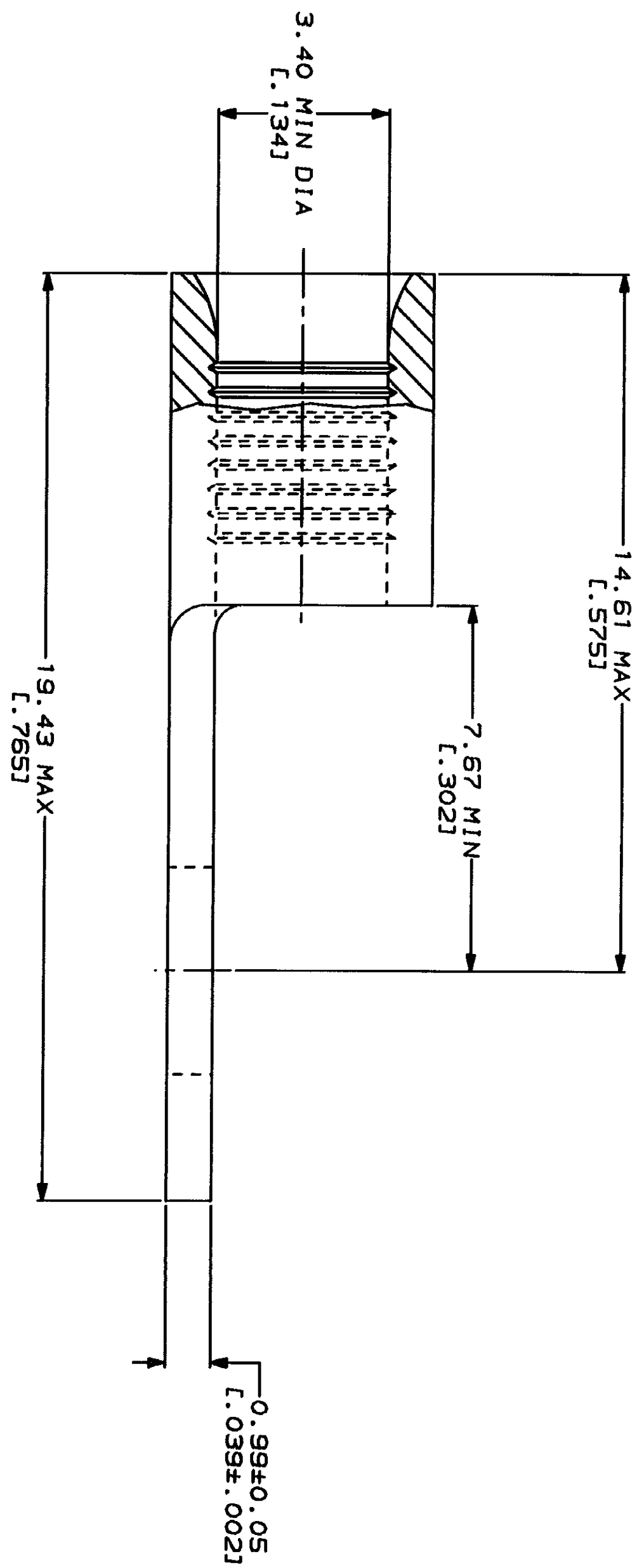
LOC	DATE	BY	DESCRIPTION	DATE	APP'D
G	14	H	REVISED PER 0720-0230-93	2/25/94	AMP

**METPRIO**  
DIMENSIONS LISTED IN MM [ INCHES ]



<b>AMP</b> WIRE RANGE	<b>UL</b> E13288 Listed
12-10 AWG STRANDED	12-10 AWG STRANDED
<b>LR7189</b> Certified	MILITARY P/N AND CLASS
NOT CERTIFIED	NOT APPLICABLE

△ STAMP AMP 12-10\* APPROX AS SHOWN



AMP INCORPORATED  
CUSTOMER SERVICE SYSTEMS

FOR ADDITIONAL  
PRODUCT INFORMATION OR  
COPIES OF DRAWINGS  
AND TECHNICAL DOCUMENTS  
1-800-522-6752

FOR APPLICATION  
TOOLING INFORMATION  
1-800-722-1111

FOR ORDER ENTRY  
1-800-526-5142

MAX RECOMMENDED OPERATING  
TEMPERATURE: 170°C MAX

VOLTAGE RATING:  
NOT APPLICABLE

WIRE CROSS SECTIONAL AREA RANGE:  
2.62-6.64mm<sup>2</sup> [5,180-13,100] CIR MILS  
STRANDED

THIS DRAWING IS A CONTROLLED DOCUMENT FOR AMP INCORPORATED. IT IS SUBJECT TO CHANGE WITHOUT NOTICE. ANY REVISIONS SHOULD BE COMPLETED FOR THE LATEST REVISION.

DO NOT SCALE PRINT.  
UNLESS SPECIFIED  
DIMENSIONS IN—LENGTH—  
TOLERANCES ON—  
2 P/L DEC ±  
3 P/L DEC ±  
ANGLES  
PATTERN

COPPER PER  
ASTM B-152  
ANNEALED

FINISH  
TIN PLATE  
0.00254L [0.00100] MIN  
THK PER MIL-T-10727

DR 2-9-93  
IA BRINKMAN

CHK 2-9-93  
DA PATTERSON

APPD 2-9-93  
DE MILLER

APPD 2-9-93  
JL NECKLEY

APPLICATION SPEC

WEIGHT



AMP Incorporated  
Harrisburg, PA 17105-3608

TERMINAL, RING TONGUE,  
BUDGET

SIZE CAGE CODE DRAWING NO  
G 00779 G-31113

31113  
PART NO

31113

# Mouser Electronics

Authorized Distributor

Click to View Pricing, Inventory, Delivery & Lifecycle Information:

[TE Connectivity:](#)

[31113](#)