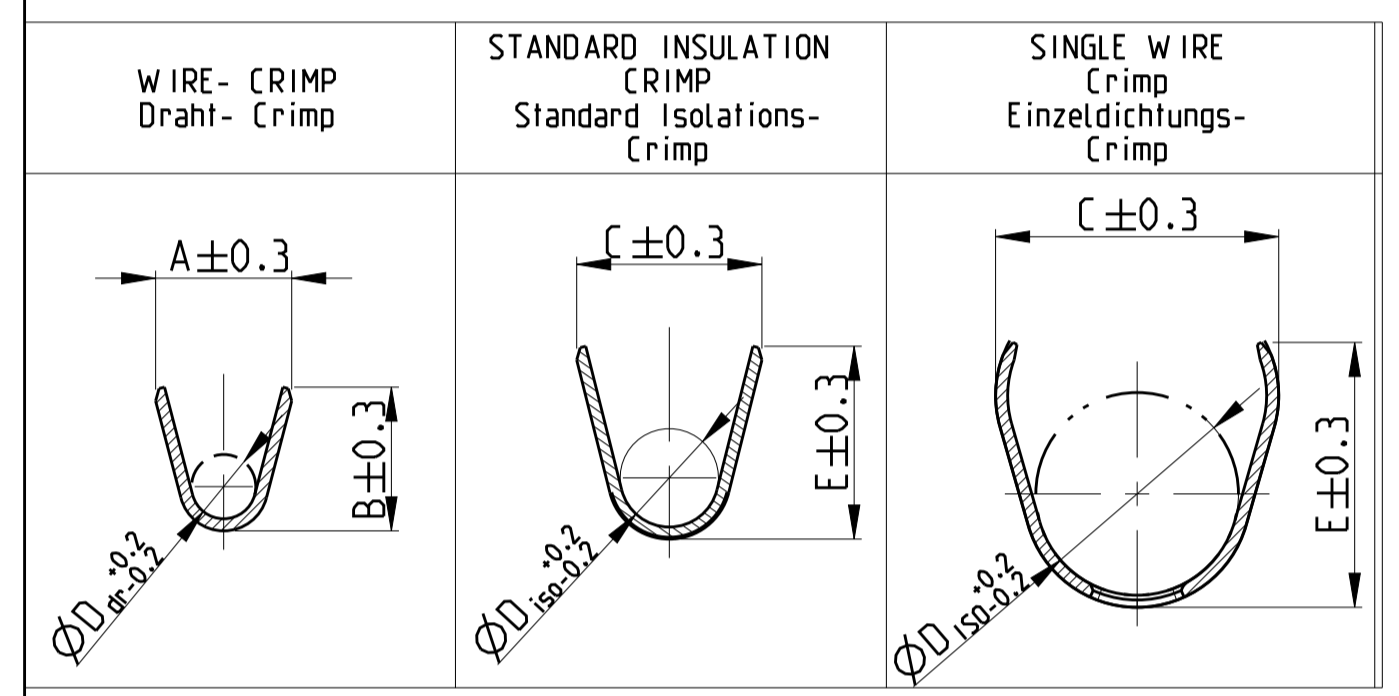
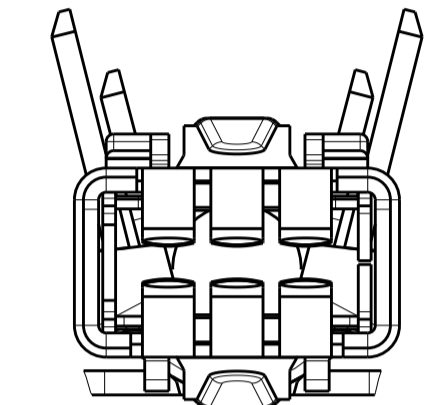
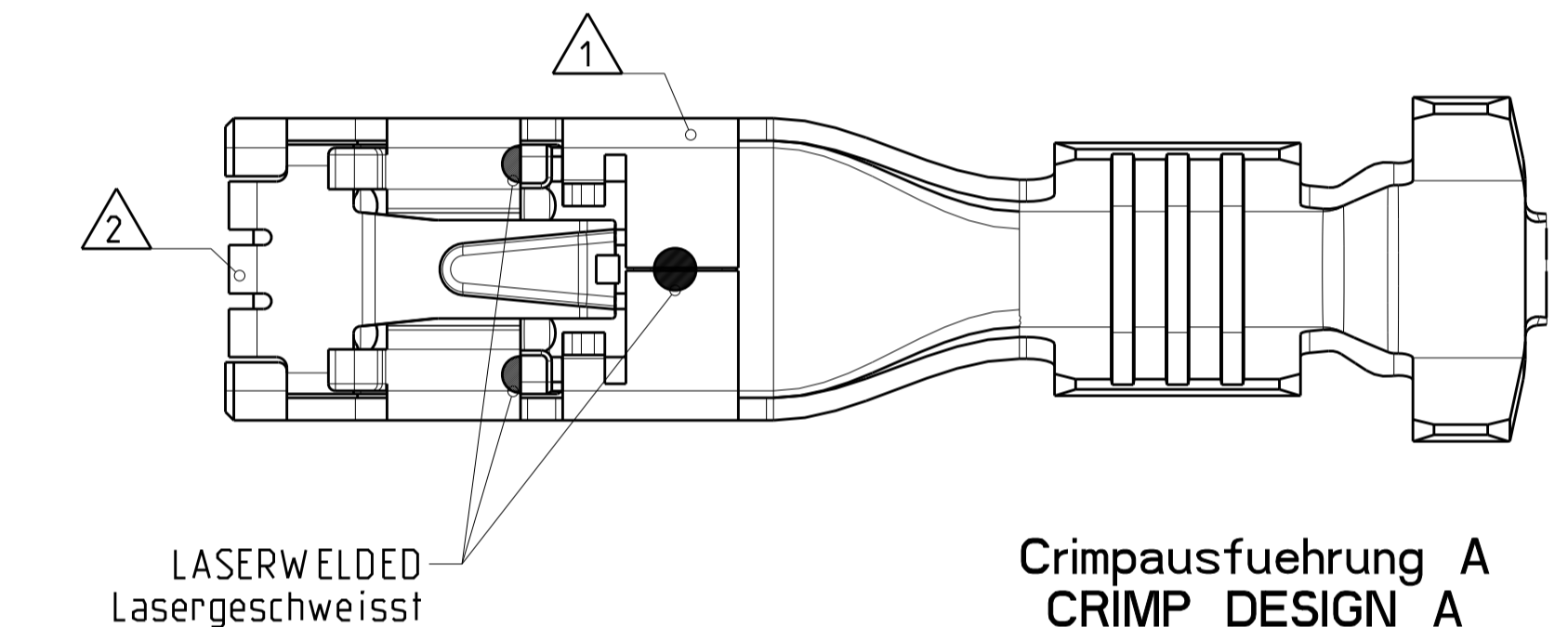
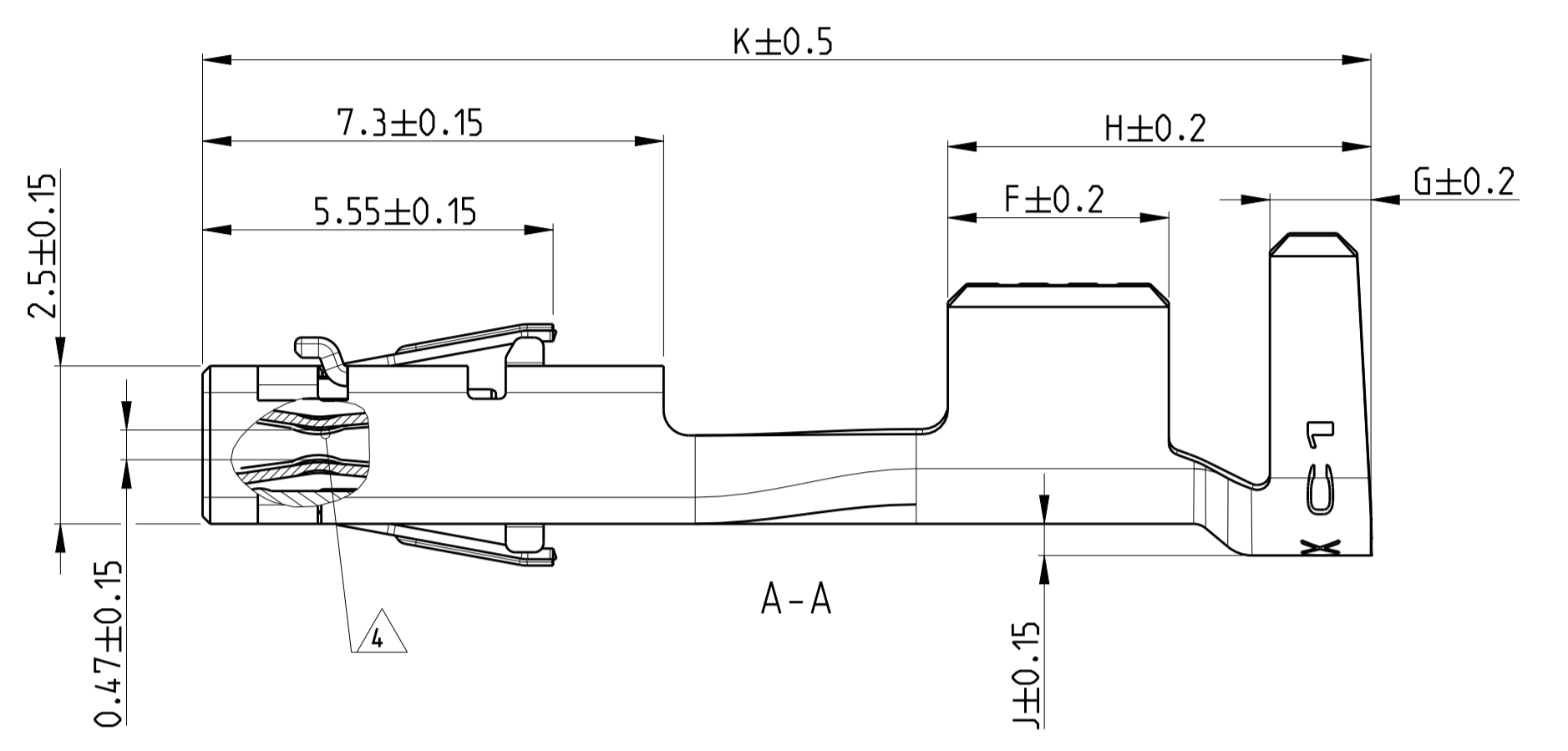
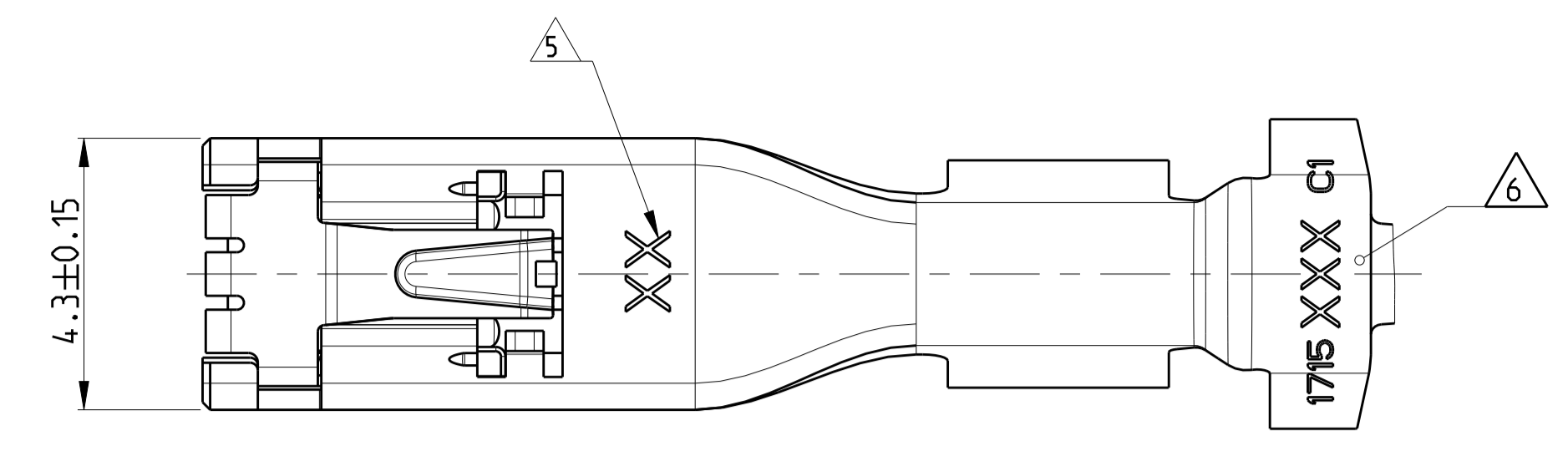


LOC	DIST	REV	DATE	APPV
A1	-	B6	03MAY2011	Kirs. Merz
		B7	11JUN2014	Bren Merz
		B8	21AUG2017	SCK RM
		B9	11SEP2017	GH RM

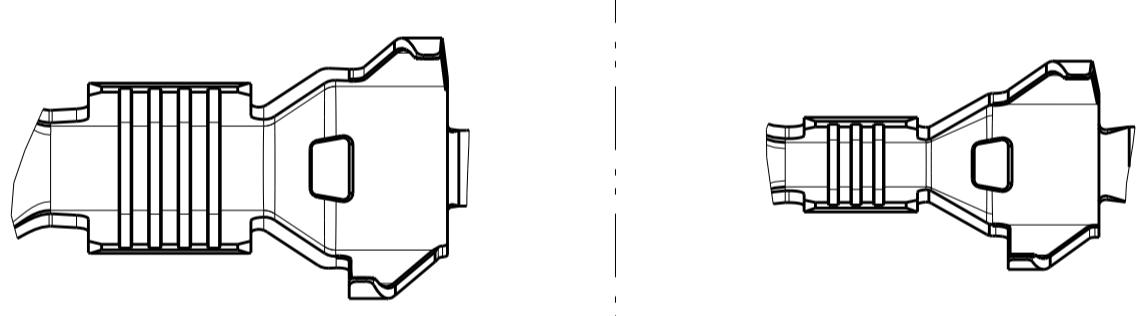
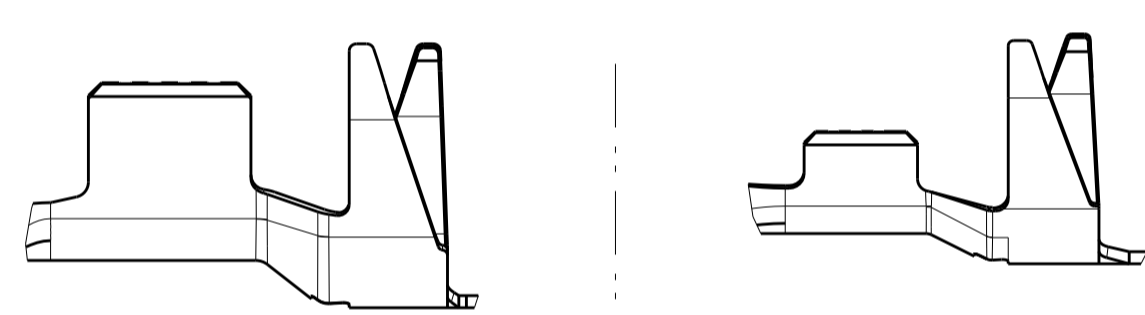
- 1 BODY Kontaktkoerper
- 2 SPRING Kontaktfeder
- 3 FOR FLR-WIRE SEE DIN 72551, PART 6 Fuer FLR-Leitung nach DIN 72551, Teil 6
- 4 SURFACE
  - a) BODY -PRE TIN 1 TO 3 µm
  - b) SPRING -PRE TIN SnAg 1 TO 3µm -GOLD PLATED MIN. µm (only contact area) -SILVER PLATED 2 TO 4 µm (only contact area)
- 5 STAMPED INDICATOR FOR PLATING:
  - AU GOLD PLATING
  - AG SILVER PLATING
  - TIN PLATING WITHOUT INDICATOR
 Markierung fuer galvanische Ausfuehrung:
  - AU vergoldet
  - AG versilbert
  - verzinkt: ohne Markierung
- 6 TE LOGO REVISION STATUS DATE CODE
- 7 MATING PART SEE INTERFACE DRAWING 114-18230-002 Gegenstecker nach Ausfuehrungsvorschrift



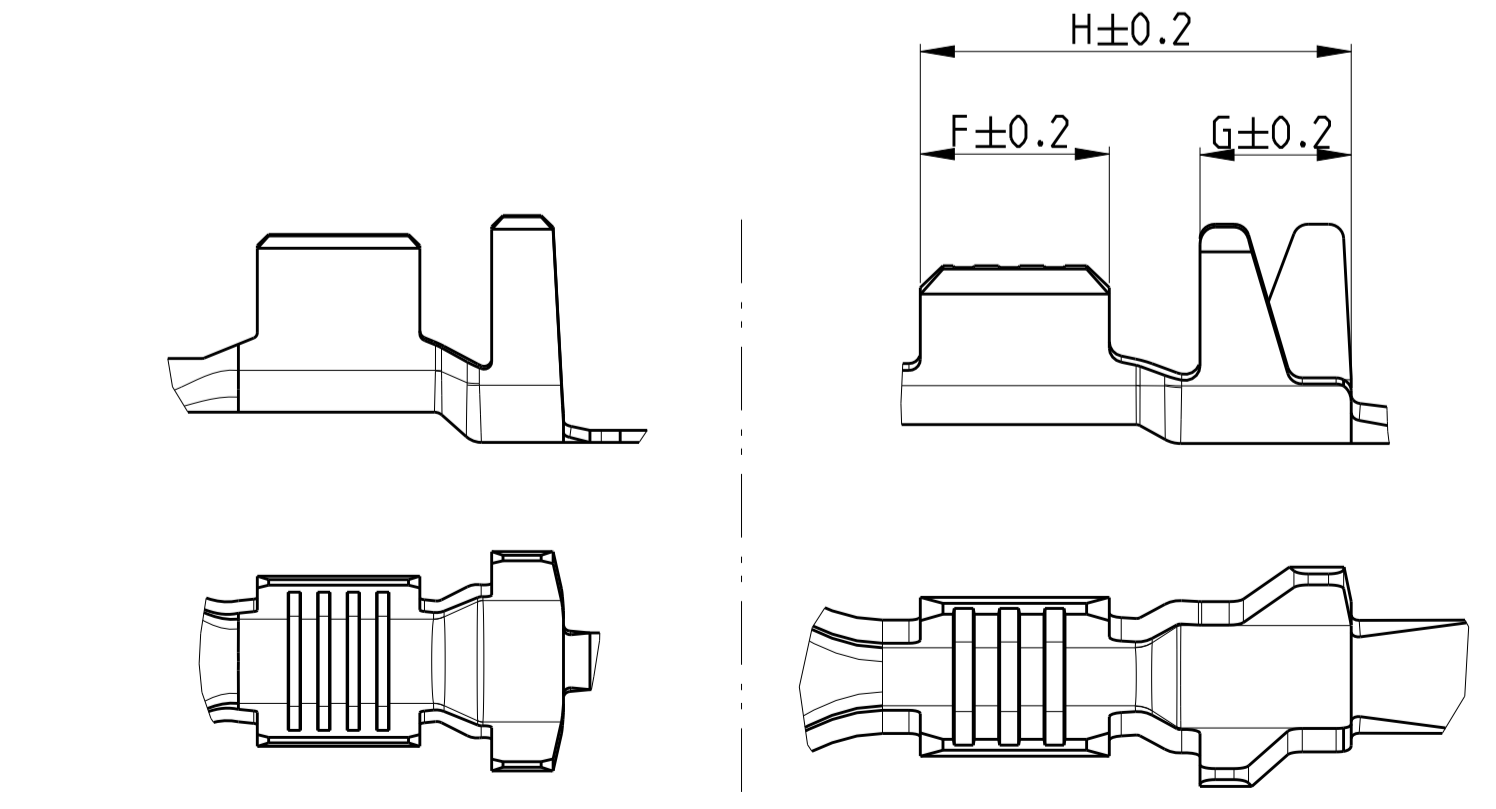
VERSION / Ausfuehrung	TE ORDER-NO. STRIP FORM	Rev.	BODY Kontaktkoerper	SPRING Kontaktfeder	BODY Kontaktkoerper	SPRING Kontaktfeder	WIRE RANGE	WIRE CRIMP					ISOLATION CRIMP					Øxxx [mm]	BLINDPLUG ORDER NO. Blindstopfen Bestell-Nr.	Crimpausfuehrung CRIMP DESIGN		
								A	B	D <sub>Dr</sub>	C	E	D <sub>ISO</sub>	F	G	H	J				K	F
SINGLE WIRE SEAL / Einzeldichtung	1563935-3	A	CuSn0.15	CuNi3Si1Mg	TIN PLATED verzinkt	SILVER PLATED versilbert	0.5	2.3	2.3	1.0	5.5	5.9	3.3	3.0	2.4	7.8	0.8	19.0	828904-1 (Ø5.0)	828 922-1	E	
	-	-	C 14415	C 70250	TIN PLATED verzinkt	GOLD PLATED vergoldet	0.75-1	2.5	2.7	1.2	5.5	5.9	3.3	3.0	2.4	7.8	0.8	19.0	828904-1 (Ø5.0)			
	1670802-3	B	CuSn0.15	CuNi3Si1Mg	TIN PLATED verzinkt	SILVER PLATED versilbert	>1-2.5	3.6	3.8	1.7	5.7	6.1	3.5	3.5	2.4	8.3	0.8	19.0	828905-1 (Ø5.0)			
	STANDARD CRIMP	1670802-1	B	CuSn0.15	CuNi3Si1Mg	TIN PLATED verzinkt	SILVER PLATED versilbert	>2.5-4	4.5	4.7	2.3	6.9	7.0	4.5	4.3	2.6	9.5	1.25	20.0	828985-1 (Ø6.4)	828 986-1	D
		1670804-3	B	CuSn0.15	CuNi3Si1Mg	TIN PLATED verzinkt	GOLD PLATED vergoldet	0.2-0.35	2.1	2.1	0.8	2.9	2.9	1.4	2.5	2.0	5.7	0.25	17.5	-		
		1670804-1	B	CuSn0.15	CuNi3Si1Mg	TIN PLATED verzinkt	SILVER PLATED versilbert	0.5	2.3	2.3	1.0	2.9	2.9	1.4	3.0	2.0	6.2	0.25	17.5	-		
		STANDARD CRIMP	1670806-3	B	CuSn0.15	CuNi3Si1Mg	TIN PLATED verzinkt	SILVER PLATED versilbert	0.75-1	2.5	2.7	1.2	3.7	3.9	1.8	3.0	1.6	6.2	0.25	18	-	A
			1670806-1	B	CuSn0.15	CuNi3Si1Mg	TIN PLATED verzinkt	GOLD PLATED vergoldet	>1-2.5	3.6	3.8	1.7	4.9	5.1	2.6	3.5	1.6	6.7	0.5	18.5	-	
			1719836-3	B	CuSn0.15	CuNi3Si1Mg	TIN PLATED verzinkt	SILVER PLATED versilbert	>2.5-4	4.5	4.7	2.3	5.8	6.0	3.3	4.3	1.9	8.1	0.8	19	-	
			1719836-1	B	CuSn0.15	CuNi3Si1Mg	TIN PLATED verzinkt	GOLD PLATED vergoldet														
1563719-3			A	CuSn0.15	CuNi3Si1Mg	TIN PLATED verzinkt	SILVER PLATED versilbert															
1563719-1			A	CuSn0.15	CuNi3Si1Mg	TIN PLATED verzinkt	GOLD PLATED vergoldet															
1719838-3			C	CuSn0.15	CuNi3Si1Mg	TIN PLATED verzinkt	SILVER PLATED versilbert															
1719838-1	C	CuSn0.15	CuNi3Si1Mg	TIN PLATED verzinkt	GOLD PLATED vergoldet																	
1719840-3	C	CuSn0.15	CuNi3Si1Mg	TIN PLATED verzinkt	SILVER PLATED versilbert																	
1719840-1	C	CuSn0.15	CuNi3Si1Mg	TIN PLATED verzinkt	GOLD PLATED vergoldet																	
1718475-3	E	CuSn0.15	CuNi3Si1Mg	TIN PLATED verzinkt	SILVER PLATED versilbert																	
1718475-1	E	CuSn0.15	CuNi3Si1Mg	TIN PLATED verzinkt	GOLD PLATED vergoldet																	



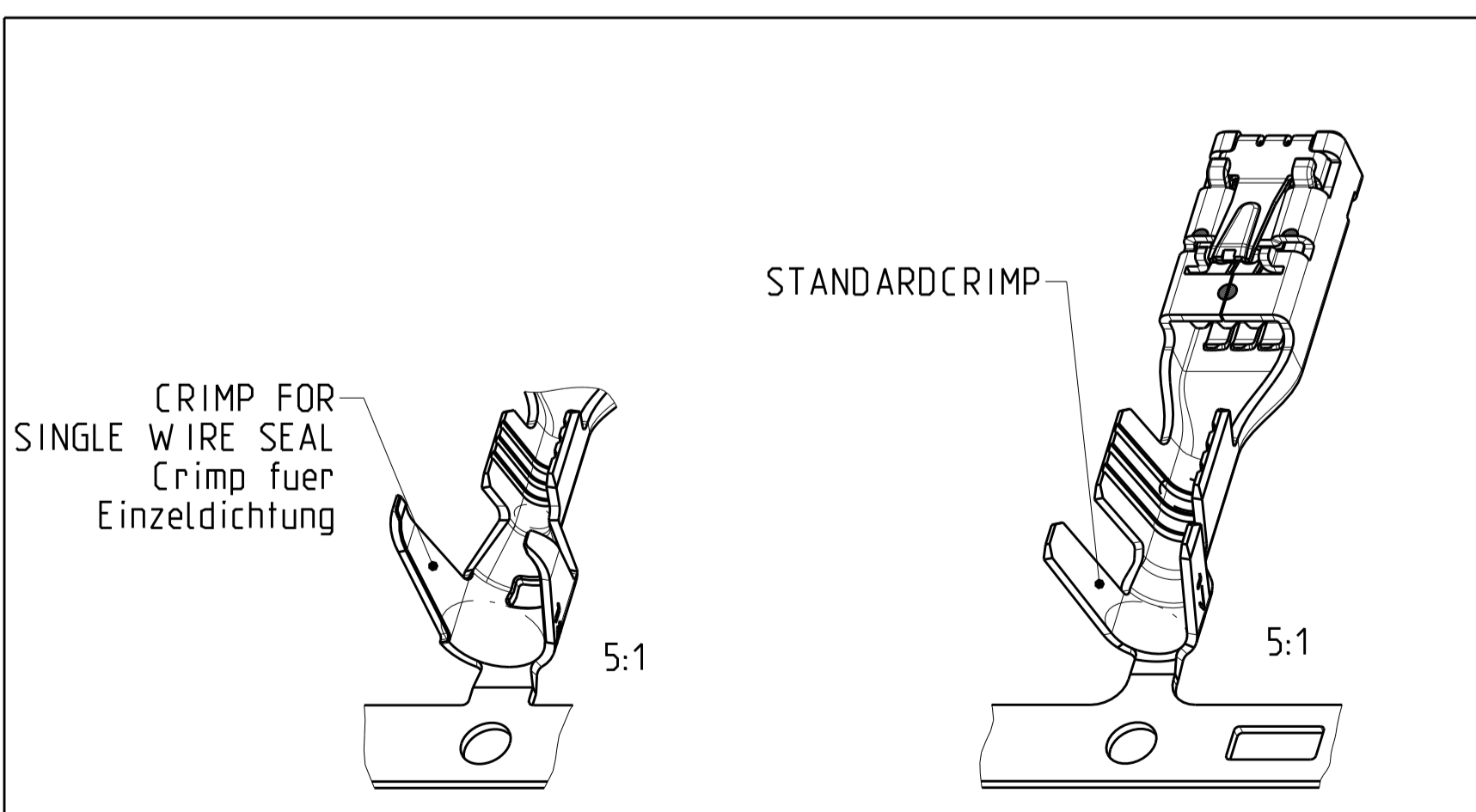
Einzeldichtungssystem SINGLE WIRE SEALING SYSTEM



B9 Crimpausfuehrung D CRIMP DESIGN D B9 Crimpausfuehrung E CRIMP DESIGN E



Crimpausfuehrung C CRIMP DESIGN C B9 Crimpausfuehrung B CRIMP DESIGN B B9



THIS DRAWING IS A CONTROLLED DOCUMENT.		OWN: W. Dahms 15FEB2006	TE Connectivity NAME: MCON 2.8 PRODUCT GROUP: DRAWING RECEPTACLE Produktgruppenzeichnung: Kontaktbuchse
DIMENSIONS: mm	TOLERANCES UNLESS OTHERWISE SPECIFIED:	CHG: G.Hotea APVD: W. Mueller PRODUCT SPEC: 108-94002 APPLICATION SPEC: 114-18718 WEIGHT: 0.58 g Customer Drawing	
MATERIAL: see table siehe Tabelle		FINISH: see table siehe Tabelle	SIZE: A1 CAGE CODE: 00779 DRAWING NO: C=1719797 RESTRICTED TO: 10:1 SCALE SHEET 1 OF 1 REV B9

# Mouser Electronics

Authorized Distributor

Click to View Pricing, Inventory, Delivery & Lifecycle Information:

[TE Connectivity:](#)

[1718475-3](#)