

PRODUCT NUMBER
91687-YXXLF

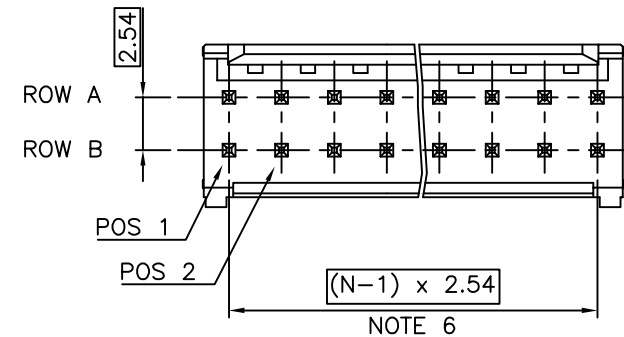
RoHS COMPATIBLE, SEE NOTE 7

PLATING

3=0.76µm GOLD/GXT ON CONTACT AREA
2 µm MIN MATTE TIN ON TAIL
1.27µm Ni MIN UNDERPLATING

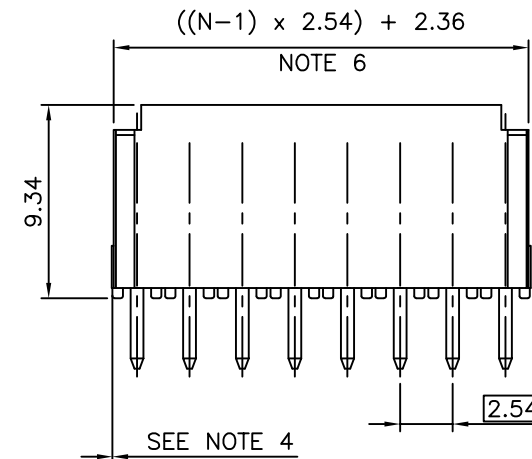
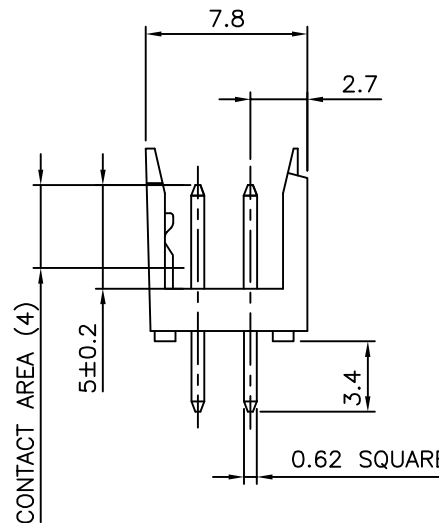
NUMBER OF POSITIONS PER ROW : 02 TO 36

TOP VIEW

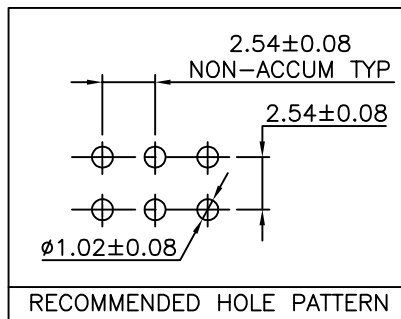


NOTES:

1. BODY MATERIAL: POLYESTER 30% GLASSFILLED COLOR BLUE, FLAME RETARDANT PER UL-94 V0.
2. CONTACT MATERIAL: PHOSPHOR BRONZE.
3. 15N MIN PIN RETENTION IN EITHER DIRECTION
4. 0.6 MAX PROTRUSION PERMITTED AT 4 PLACES
5. PACKAGING :
- POLYBAGS FROM 2 x 02 TO 2 x 06 POSITIONS
- TUBE FROM 2 x 07 TO 2 x 36 POSITIONS
6. TO DETERMINE DIMENSIONS :
N = NUMBER OF POSITIONS PER ROW
EXAMPLE : 8 POS N x 2.54 = 20.32mm
7. RoHS COMPATIBLE PRODUCT SPECIFICATIONS
 - a - PLATING:
- "LF" MEANS THE PRODUCT IS LEAD-FREE,
2µm MINIMUM MATTE TIN OVER 1.27µm
MINIMUM NICKEL UNDERPLATE.



- b - MANUFACTURING PROCESS COMPATIBILITY
- THE HOUSING WILL WITHSTAND EXPOSURE TO 245°C ±5°C SOLDER BATH TEMPERATURE FOR 5 SECONDS IN A WAVE SOLDER APPLICATION WITH A 1.6mm MIN THICK CIRCUIT BOARD.
- c - LABELING:
- MEETS PACKAGING SPECS AS PER GS-14-920
- d - LEGAL STATEMENT: SEE GS-47-0004



mat'l. code				surface	tolerance	projection	product family
SEE NOTES				ISO 1302	ISO 406 ISO 1101	mm	DUBOX HDR
ltr	ecn no	dr	date	tolerances unless otherwise specified		mm	title
B	F00190	LMU	00.04.12	angles	.X ±0.3	mm	DUBOX HEADER
C	F05-0117	LMU	05.01.31	linear	.XX ±0.15	mm	STRAIGHT, DOUBLE ROW
D	F05-0244	JCO	05.09.06		.XXX ±0.05	scale 4:1	
E	F06-0228	LMU	06.07.11	dr	MULIN.L 00.04.12		dwg no
F	F08-0147	YOV	08.04.14	engr	COMPAGNON.J 00.04.12		sheet 1 of 1 size
G	B-19285	AMA	14.11.03	chr			91687 A3
H	F-21810	AMA	15.06.19	app	JMC 00.04.12		type
							CUSTOMER Drawing
sheet	revision						
index	sheet						

Mouser Electronics

Authorized Distributor

Click to View Pricing, Inventory, Delivery & Lifecycle Information:

[FCI / Amphenol:](#)

[91687-321LF](#) [91687-322LF](#) [91687-323LF](#) [91687-324LF](#) [91687-325LF](#) [91687-326LF](#) [91687-327LF](#) [91687-328LF](#)
[91687-329LF](#) [91687-330LF](#) [91687-331LF](#) [91687-332LF](#) [91687-333LF](#) [91687-335LF](#) [91687-420LF](#) [91687-421LF](#)
[91687-425LF](#) [91687-427LF](#) [91687-302LF](#) [91687-304LF](#) [91687-305LF](#) [91687-306LF](#) [91687-307LF](#) [91687-308LF](#)
[91687-309LF](#) [91687-310LF](#) [91687-311LF](#) [91687-312LF](#) [91687-313LF](#) [91687-314LF](#) [91687-315LF](#) [91687-316LF](#)
[91687-317LF](#) [91687-318LF](#) [91687-319LF](#) [91687-320LF](#) [91687-334LF](#) [91687-336LF](#) [91687-404LF](#) [91687-407LF](#)
[91687-419LF](#) [91687-422LF](#) [91687-426LF](#) [91687-428LF](#) [91687-429LF](#) [91687-431LF](#) [91687-432LF](#) [91687-433LF](#)
[91687-434LF](#) [91687-435LF](#) [91687-436LF](#)