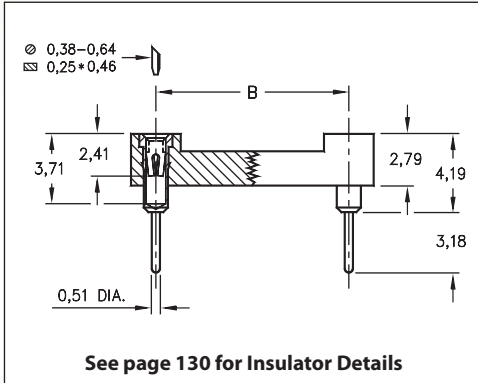
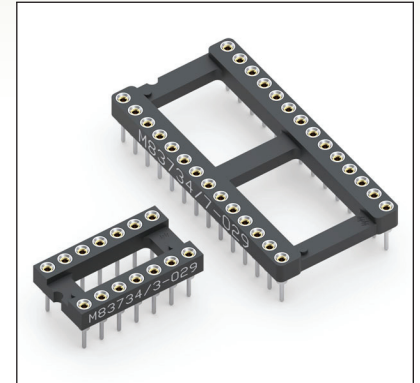


DUAL-IN-LINE SOCKETS

SERIES 110...530 • MIL-DTL-83734 APPROVED, SOLDER TAIL • OPEN FRAME



- Sockets are XY stackable
- Socket pins feature closed end construction eliminating any solder wicking problems
- Packaged in tubes compatible with automatic insertion equipment
- Hi-Rel, 4-finger BeCu #30 contact is rated at 3 amps. See page 253 for details
- Series 110 uses MM #1001 pins. See page 165 for details
- Insulators are high temperature thermoplastic, suitable for all soldering operations
- For Electrical, Mechanical and Environmental Data, see page 264 for details



Total number of pins				Quantity per tube	ORDERING INFORMATION			
	A	B	C		Mill-Max Part Number		Military Part Number	
8	10,1	7,62	10,1	50	110-XX-308-41-530000	M83734/2-YYY		
14	17,7	7,62	10,1	28	110-XX-314-41-530000	M83734/3-YYY		
16	20,3	7,62	10,1	25	110-XX-316-41-530000	M83734/4-YYY		
18	22,8	7,62	10,1	22	110-XX-318-41-530000	M83734/5-YYY		
20	25,3	7,62	10,1	20	110-XX-320-41-530000	M83734/13-YYY		
22	27,8	10,16	12,7	18	110-XX-422-41-530000	M83734/6-YYY		
24	30,4	15,24	17,7	16	110-XX-624-41-530000	M83734/8-YYY		
28	35,5	15,24	17,7	14	110-XX-628-41-530000	M83734/7-YYY		
40	50,8	15,24	17,7	10	110-XX-640-41-530000	M83734/10-YYY		
48	60,9	15,24	17,7	8	110-XX-648-41-530000	M83734/14-YYY		
64	81,2	22,86	25,3	6	110-XX-964-41-530000	M83734/15-YYY		
<div style="border: 1px solid black; border-radius: 50%; padding: 5px; display: inline-block;"> XX=Plating Code See Below </div>					SEE PAGE 103 FOR COMPLETE MIL-DTL-83734 QPL			
SPECIFY MILL-MAX PLATING CODE XX =					33	83	88	
FOR MILITARY PLATING CODE YYY =					028	029	030	
Sleeve (Pin)					0,76µm min. Au	7,62µm Sn/Pb	7,62µm Sn/Pb	
Contact (Clip)					0,76µm min. Au	0,76µm min. Au	2,54µm Sn/Pb	



Mouser Electronics

Authorized Distributor

Click to View Pricing, Inventory, Delivery & Lifecycle Information:

[Mill-Max:](#)

[110-83-308-41-530000](#)