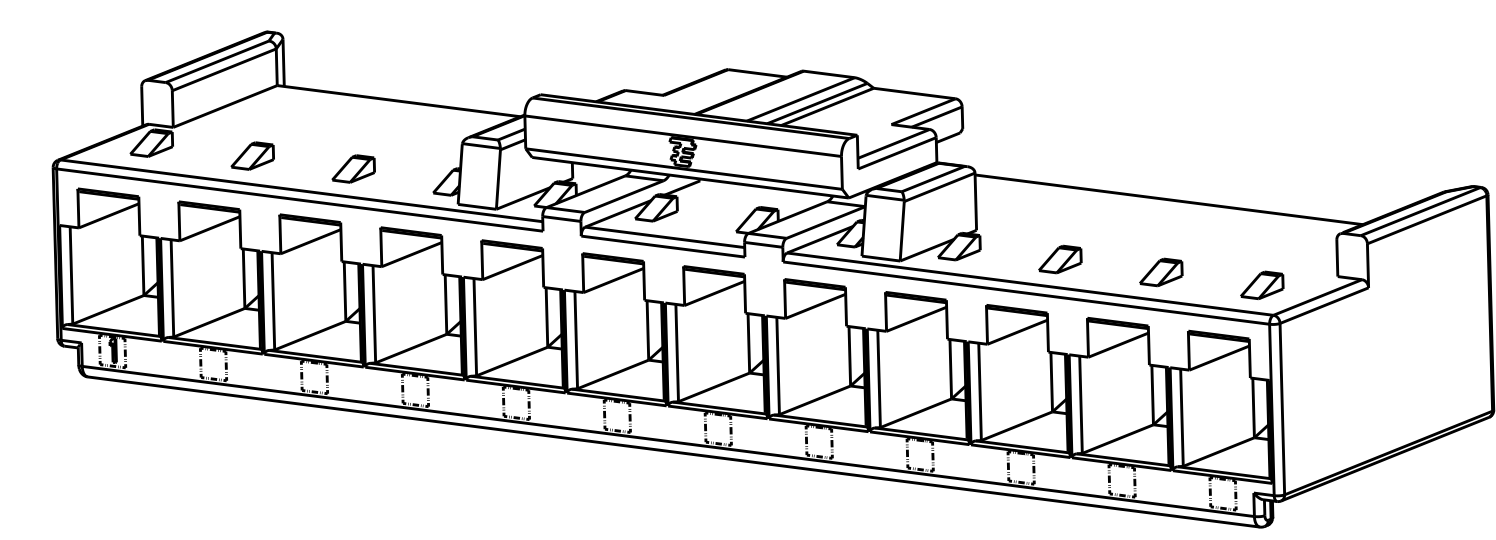
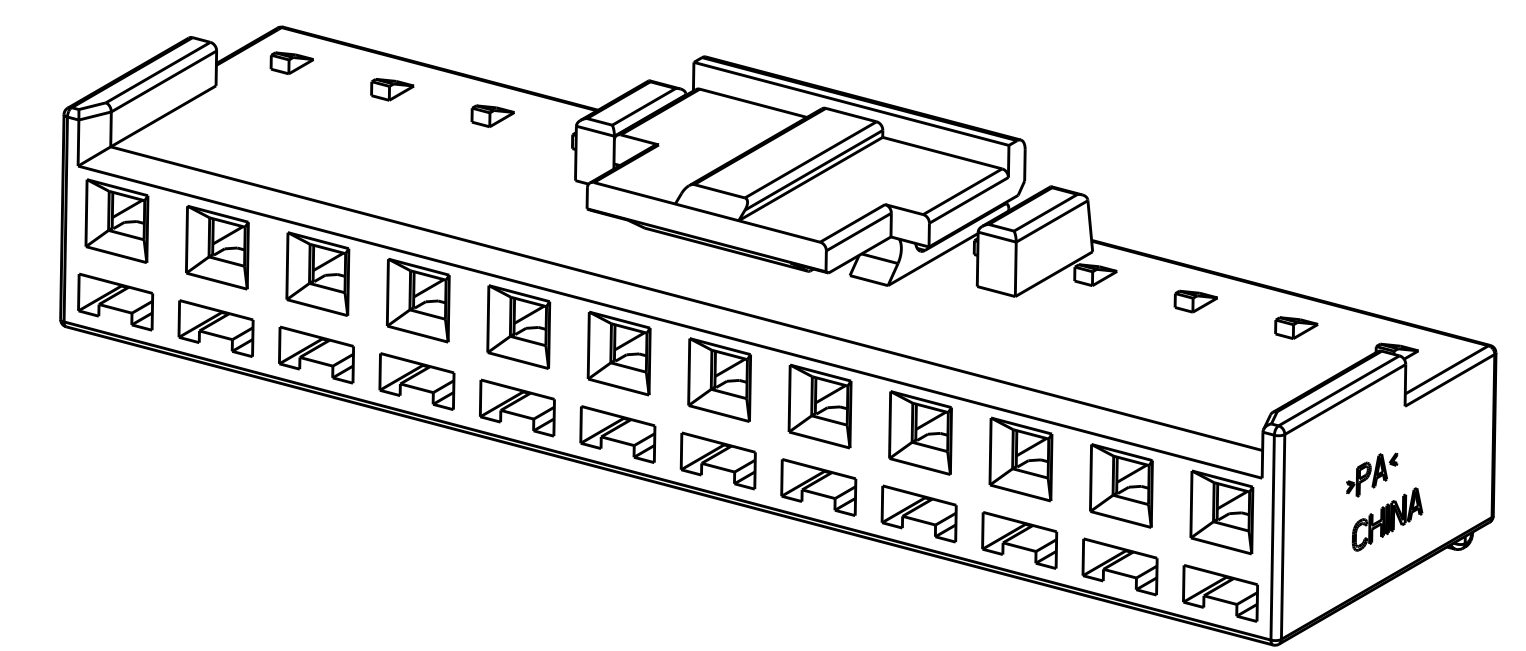


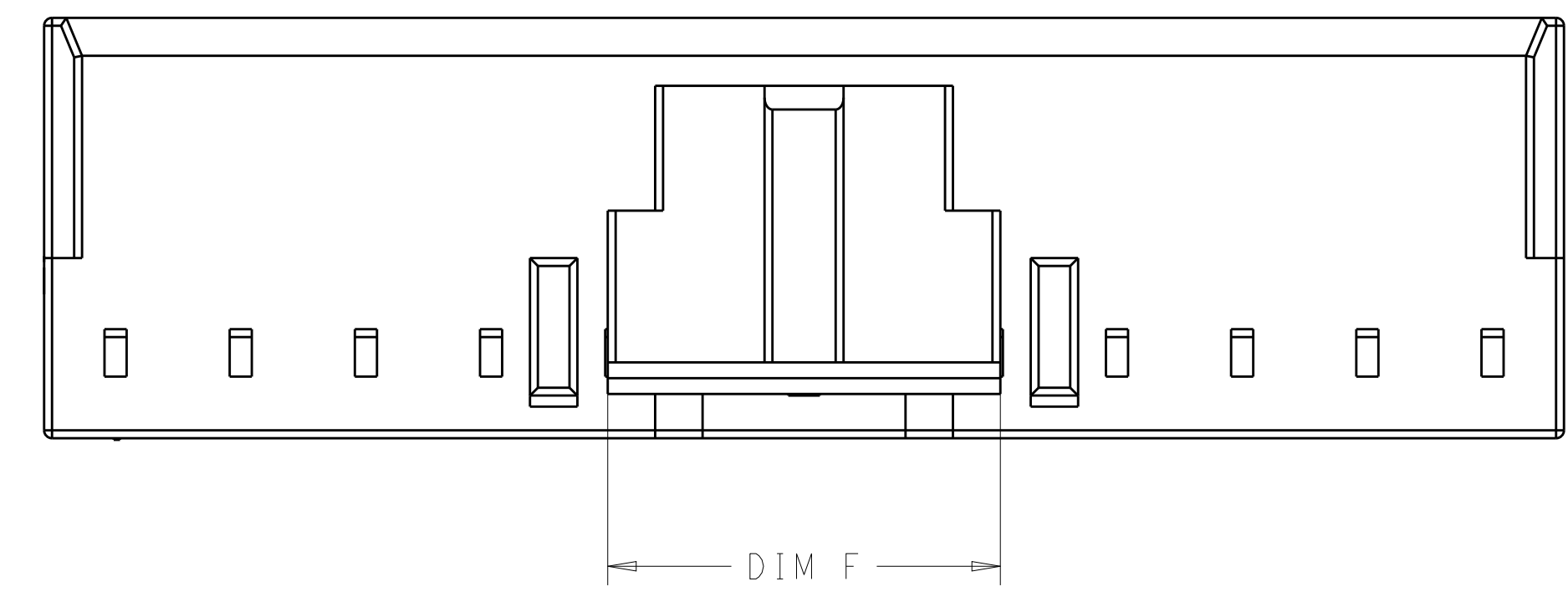
LOC		DIST		REVISONS			
P	LTN	DESCRIPTION	DATE	DWN	APVD		
GP	00	D1	REVISED PER ECR-18-005503	30MAY2018	BDA	SG	



ISOMETRIC REAR VIEW
(12 POSITION SHOWN)



ISOMETRIC MATING FACE VIEW
(12 POSITION SHOWN)



DIM F

△ MATERIAL: NYLON, UL94V-0 FLAME RETARDENT, COLOR: NATURAL

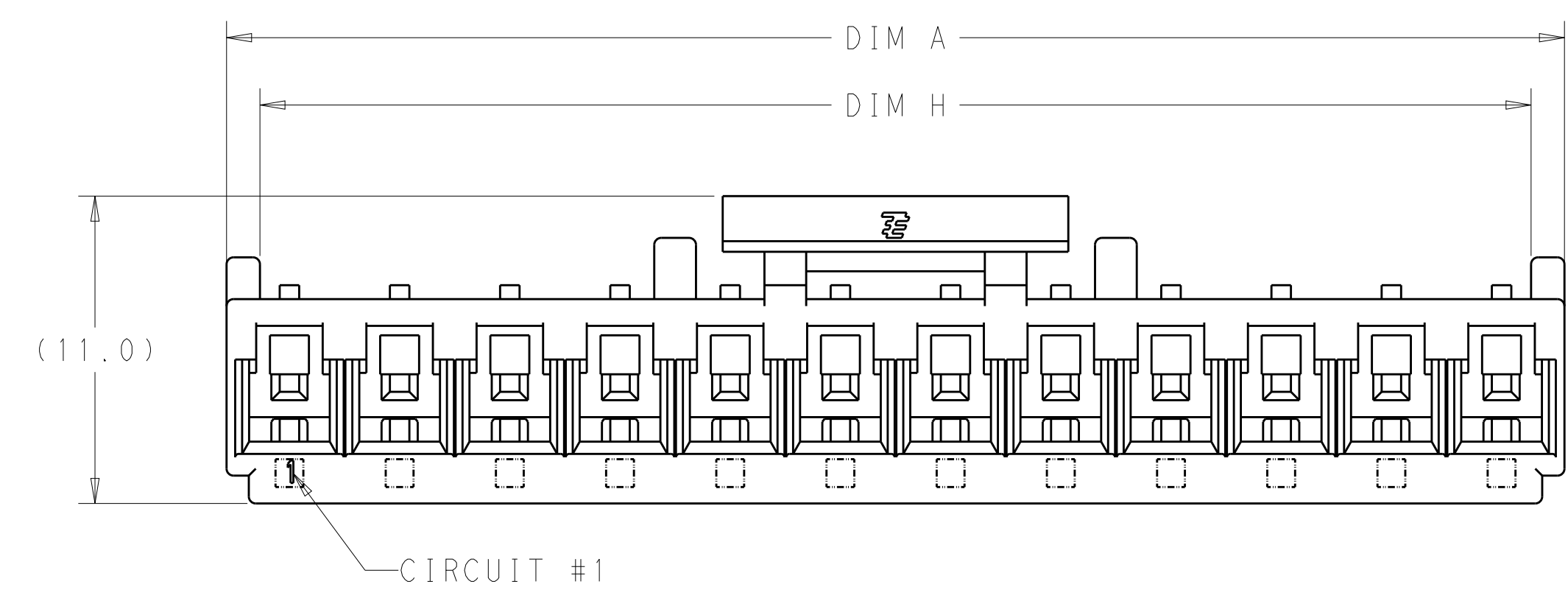
2 HOUSINGS TO USE "RETAINER":

"BREAKAWAY RETAINER" P/N: 1-2132782-2 (12 POSITION),
 12 POSITION PART TO BE SEPERATED AT APPROPRIATE NOTCHES TO FIT
 2 POSITION THRU 11 POSITION HOUSINGS

"NORMAL RETAINER" P/N: X-1744544-X
 WHERE XX IS THE NUMBER OF POSITIONS.

△ MEETS UL 61800-5-1

Flam	RTIe deg C	HWI	HAI	CTI
V0	130	PLC3	PLC1	PLC0_UL746

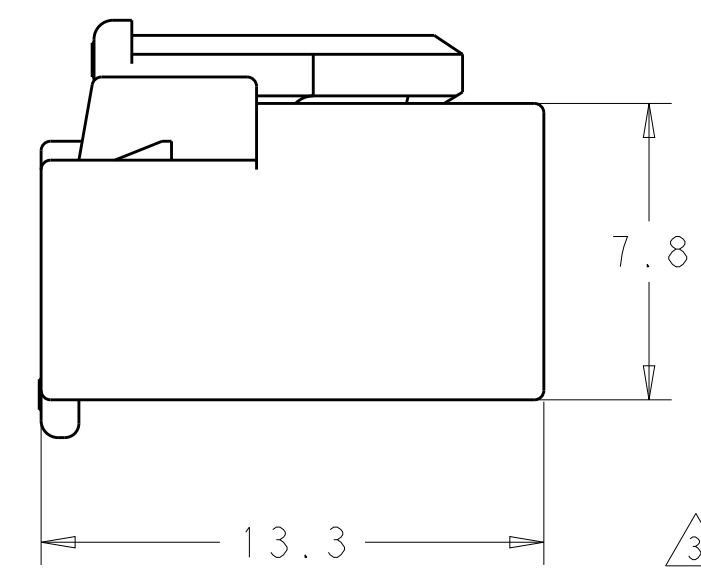


DIM A

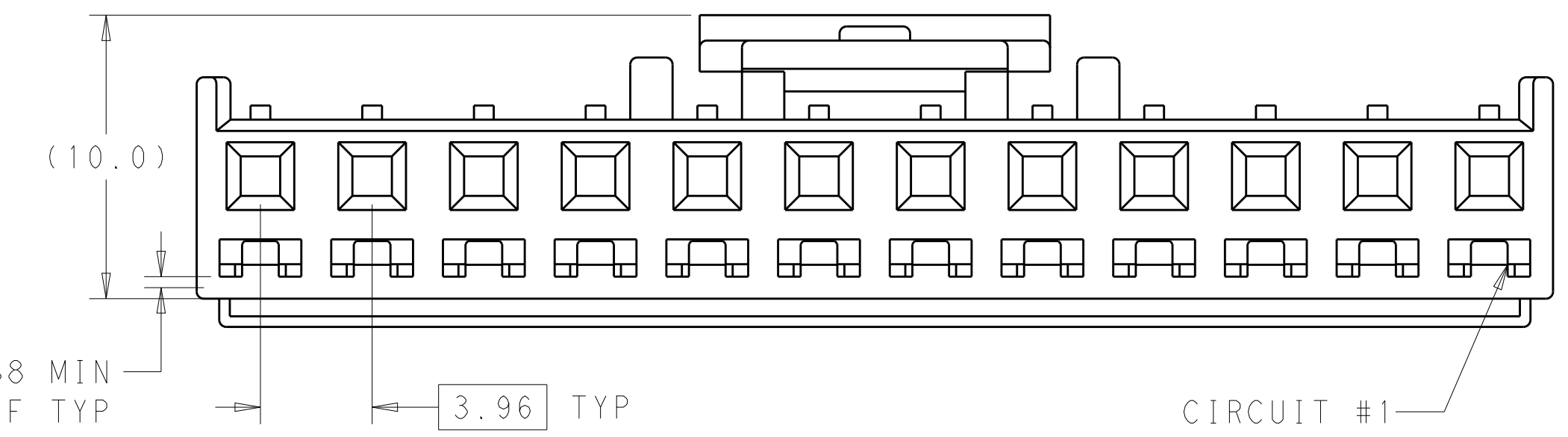
DIM H

(11.0)

CIRCUIT #1

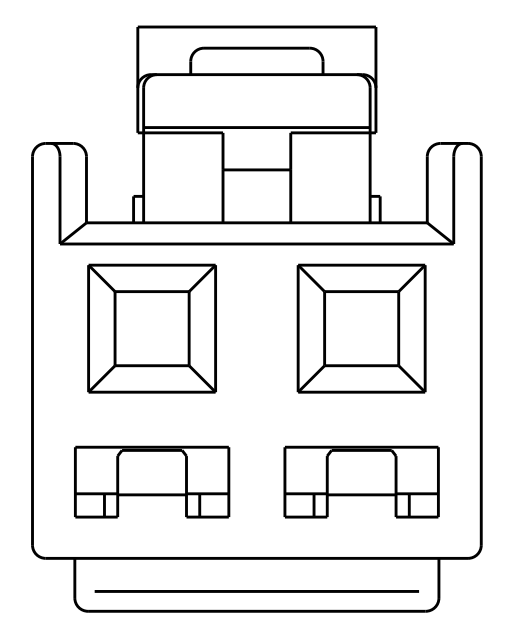


0.38 MIN REF TYP

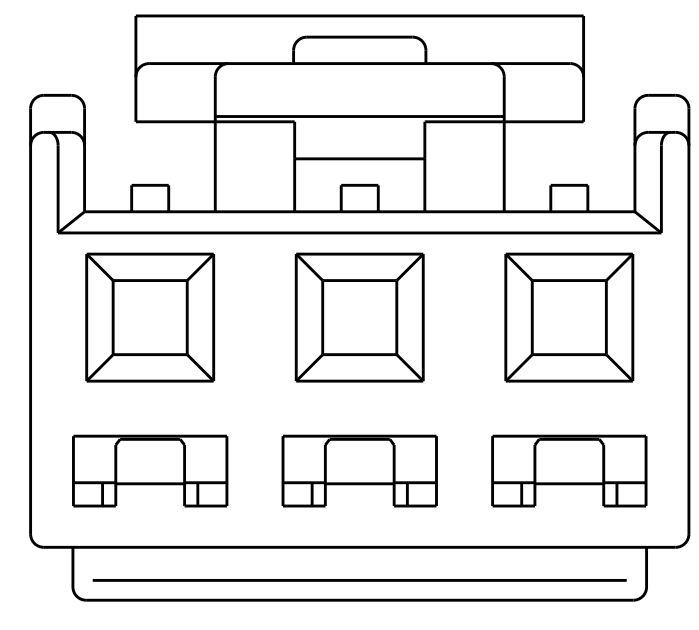


CIRCUIT #1

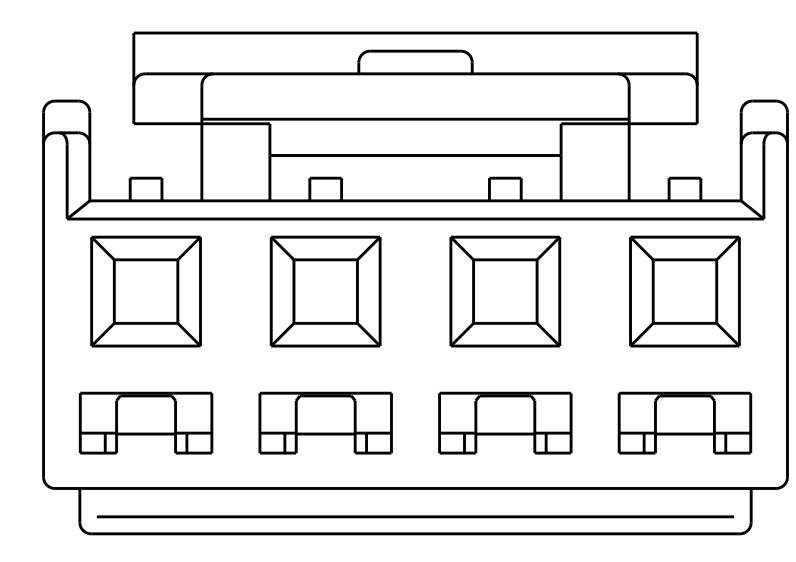
45.68	12.42	48.08	12	1-2132781-2
41.72	8.46	44.12	11	1-2132781-1
37.76	12.42	40.16	10	1-2132781-0
33.80	8.46	36.20	9	2132781-9
29.84	12.42	32.24	8	2132781-8
25.88	8.46	28.28	7	2132781-7
21.92	12.42	24.32	6	2132781-6
17.96	8.46	20.36	5	2132781-5
14.36	12.42	16.40	4	2132781-4
10.40	8.46	12.44	3	2132781-3
6.44	4.50	8.48	2	2132781-2
DIM H	DIM F	DIM A	NO. OF POSI.	PART NUMBER



FRONT VIEW
(2 POSITION SHOWN)



FRONT VIEW
(3 POSITION SHOWN)



FRONT VIEW
(4 POSITION SHOWN)

THIS DRAWING IS A CONTROLLED DOCUMENT.

DIMENSIONS:	TOLERANCES UNLESS OTHERWISE SPECIFIED:	DWN G. PETERS 09FEB2010	TE Connectivity NAME: RECEPTACLE HOUSING, ECONOMY POWER II, 3.96 CENTERLINE W/ RETAINING FEATURES PRODUCT SPEC APPLICATION SPEC SIZE: CAGE CODE DRAWING NO. RESTRICTED TO WEIGHT: A100779C=2132781 Customer Drawing SCALE 3:1 SHEET 1 OF 1 REV D1
mm	0 PLC ±	CHK E. HOWARD 09FEB2010	
	1 PLC ±0.5	APVD S. FLICKINGER 09FEB2010	
	2 PLC ±0.30		
	3 PLC ±		
	4 PLC ±		
	ANGLES ±°		
MATERIAL	FINISH		

Mouser Electronics

Authorized Distributor

Click to View Pricing, Inventory, Delivery & Lifecycle Information:

[TE Connectivity:](#)

[2132781-8](#)