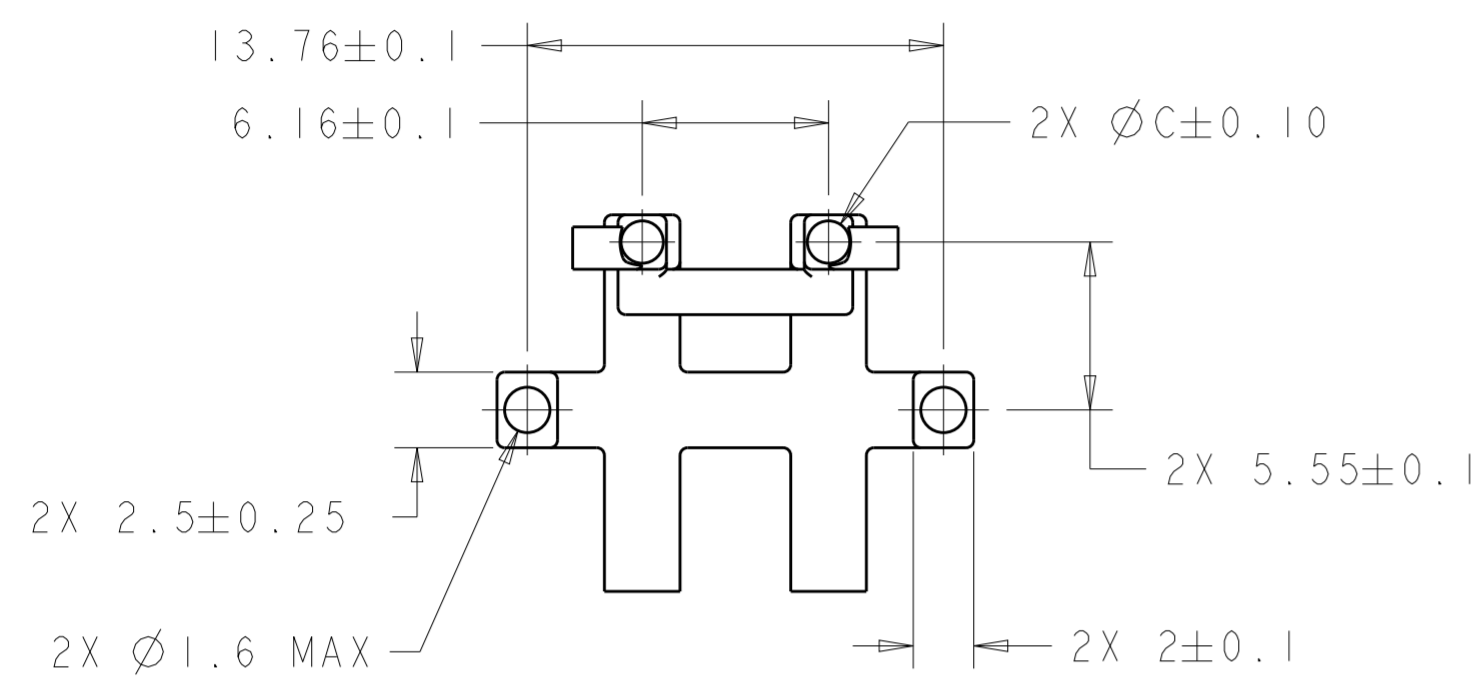
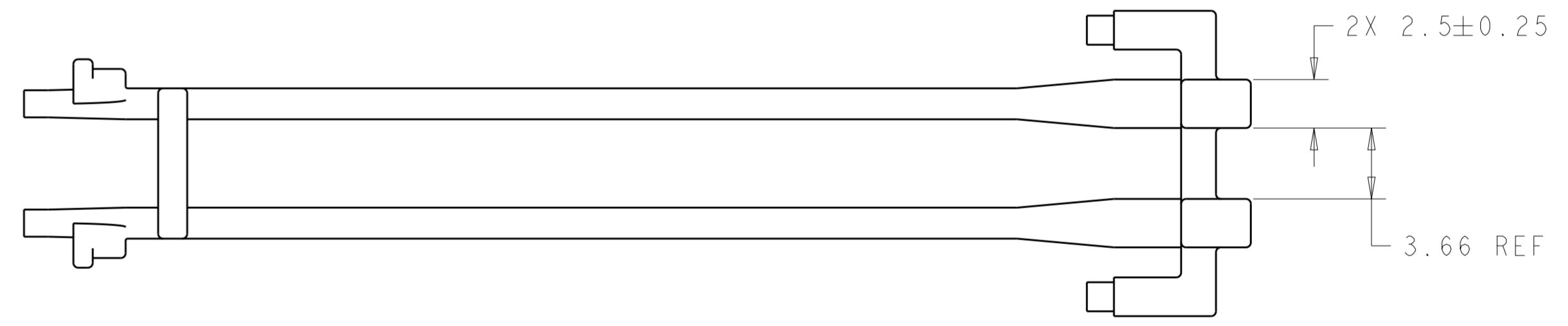


THIS DRAWING IS UNPUBLISHED. RELEASED FOR PUBLICATION 2007  
 © COPYRIGHT 2007 BY - ALL RIGHTS RESERVED.

LOC	DIST	REVISIONS					
GP	00	P	LTR	DESCRIPTION	DATE	DWN	APVD
		A		RELEASED PER ECO-09-008578	21APR2009	CJV	JRP
		B		RELEASED PER ECO-13-009942	14JUN2013	RG	AC
		C		RELEASED PER ECO-13-020244	31DEC2013	ZJ	JY
		D		RELEASER PER ECO-15-000289	8JAN2015	RG	MC



⚠ MATERIAL: POLYCARBONATE, CLEAR



2.0	6.00	55.1	1-2007477-2
2.0	6.00	57.0	1-2007477-0
1.4	6.00	55.5	2007477-7
1.4	6.00	56.3	2007477-3
1.4	5.55	55.5	2007477-2
1.4	5.55	59.2	2007477-1
C	B	A	PART NUMBER

THIS DRAWING IS A CONTROLLED DOCUMENT.

DWN C. VALENTINE 26NOV2007	 TE Connectivity NAME LIGHT PIPE, DOUBLE, BEHIND BEZEL, GANGED QSFP PRODUCT SPEC - APPLICATION SPEC - WEIGHT - SCALE 4:1	
CHK E. BRIGHT 26NOV2007		
APVD E. BRIGHT 26NOV2007		
SIZE A200779		
DIMENSIONS: mm	TOLERANCES UNLESS OTHERWISE SPECIFIED: 0 PLC ± 1 PLC ±0.5 2 PLC ±0.20 3 PLC ± 4 PLC ± ANGLES ± FINISH	RESTRICTED TO -
MATERIAL ⚠	Customer Drawing	SHEET 1 OF 1 REV D

# Mouser Electronics

Authorized Distributor

Click to View Pricing, Inventory, Delivery & Lifecycle Information:

[TE Connectivity:](#)

[2007477-3](#)