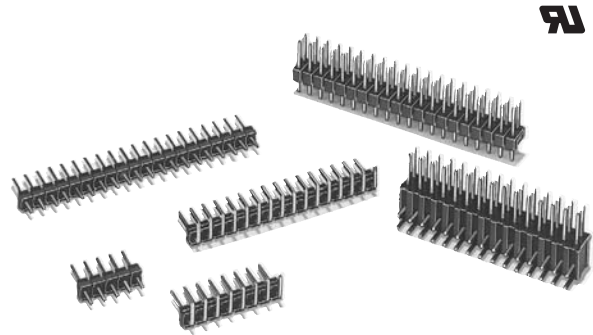


Original Plug that can be used in a wide range of applications.

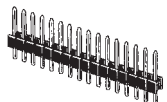

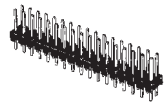





- Can use as a Plug for different Sockets.
Applicable Sockets:
XG4M Flat Cable Connector
XG5 Discrete-wire IDC Connector
(Refer to Applicable Sockets below.)
- Through-holes handle 0.8-mm wires.
- With Double-row Plugs with right-angle terminals, block-base soldering improves productivity while lock levers simplify locking (excluding XG8V and XG8W Plugs with straight terminals).
- Simply cut to divide (excluding XG8W Right-angle Plugs).
- Standard models are approved by UL standards (file No. E103202)



RoHS Compliant

Connectors

For MIL Connectors

| | | | | |
|------------|---|--|---|--|
| Model | XG8V | | XG8W | |
| Appearance | Single-row plugs with straight terminals  | Single-row plugs with right-angle terminals  | Double-row plugs with straight terminals  | Double-row plugs with right-angle terminals  |
| Page | 2 | | 3 | |
| Model | XG8A | | XG8B | |
| Appearance | Single-row plugs with straight terminals  | Single-row plugs with right-angle terminals  | Double-row plugs with straight terminals  | Double-row plugs with right-angle terminals  |
| Page | 4 | | | |

Ratings and Characteristics

| | |
|-------------------------------|--|
| Rated current | 3 A (See note 1.) |
| Rated voltage | 300 VAC |
| Contact resistance | 20 mΩ max. (at 20 mV, 100 mA max.) (See note 2.) |
| Insulation resistance | 1,000 MΩ min. (at 500 VDC) |
| Dielectric strength | 650 VAC for 1 min (leakage current: 1 mA max.) |
| Ambient operating temperature | -55 to 105°C (with no icing at low temperature) |

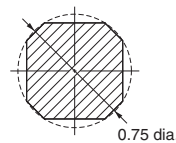
- Note:**
1. The rated current will depend on the Socket you are using. It is 1 A using the XG4M for example.
 2. The contact resistance is measured with the Plug mated to an XG5M-N.

Materials and Finish

| | | | | |
|----------|---|---|---|--|
| Model | XG8V and XG8W (See note.) | | XG8A and XG8B | |
| Base | Fiber-glass reinforced PBT resin (UL94 V-0)/black | | | |
| Contacts | Mating end | Brass/nickel base, 0.15-μm gold plating | Brass/nickel base, 0.15-μm gold plating | |
| | Terminal | Brass/nickel base, 2.0-μm tin plating | Brass/nickel base, 2.0-μm tin plating | |

- Note:** Two types of contacts and mating ends, one with gold plating and the other with tin plating, are available.

Cross-sectional View of Terminal



Applicable Sockets

| | |
|----------------------------|---|
| XG8W and XG8B (Double Row) | XG4M Flat Cable Connectors XG4H Board-to-Board Sockets XG5M-N Discrete-wire IDC Connectors (Double-row Sockets) XG5N Discrete-wire crimped Sockets |
|----------------------------|---|

XG8V Single-row Original Plugs

■ Dimensions

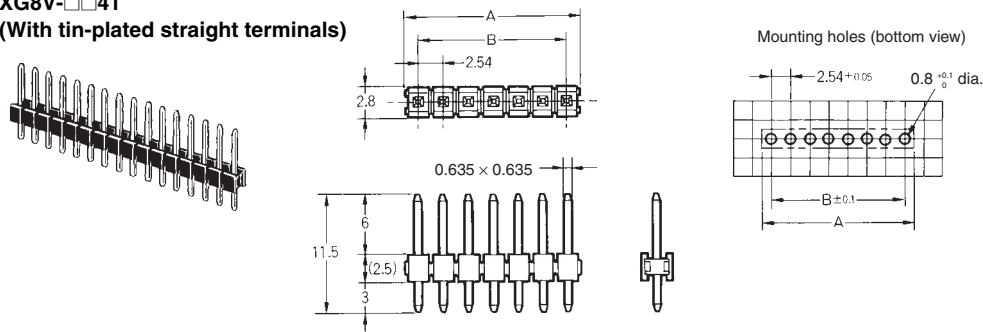
(Unit: mm)

XG8V-□□31

(With gold-plated straight terminals)

XG8V-□□41

(With tin-plated straight terminals)



Dimensions

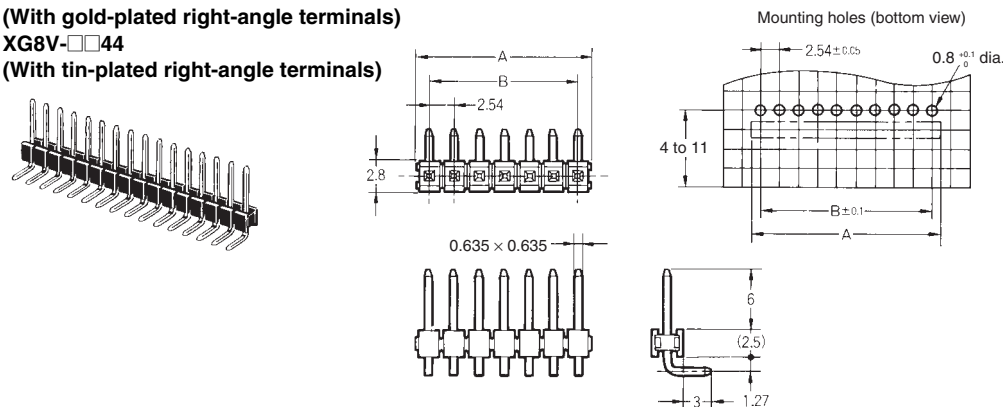
| No. of contacts | Dimensions (mm) | |
|-----------------|-----------------|-------|
| | A | B |
| 2 | 5.1 | 2.54 |
| 3 | 7.6 | 5.08 |
| 4 | 10.2 | 7.62 |
| 5 | 12.7 | 10.16 |
| 6 | 15.2 | 12.70 |
| 7 | 17.8 | 15.24 |
| 8 | 20.3 | 17.78 |
| 10 | 25.4 | 22.86 |
| 12 | 30.5 | 27.94 |
| 13 | 33.0 | 30.48 |
| 15 | 38.1 | 35.56 |
| 16 | 40.6 | 38.10 |
| 17 | 43.2 | 40.64 |
| 20 | 50.8 | 48.26 |
| 36 | 91.4 | 88.90 |

XG8V-□□34

(With gold-plated right-angle terminals)

XG8V-□□44

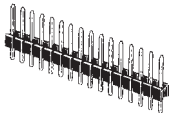
(With tin-plated right-angle terminals)



Dimensions

| No. of contacts | Dimensions (mm) | |
|-----------------|-----------------|-------|
| | A | B |
| 2 | 5.1 | 2.54 |
| 3 | 7.6 | 5.08 |
| 4 | 10.2 | 7.62 |
| 5 | 12.7 | 10.16 |
| 6 | 15.2 | 12.70 |
| 7 | 17.8 | 15.24 |
| 8 | 20.3 | 17.78 |
| 10 | 25.4 | 22.86 |
| 12 | 30.5 | 27.94 |
| 13 | 33.0 | 30.48 |
| 15 | 38.1 | 35.56 |
| 16 | 40.6 | 38.10 |
| 17 | 43.2 | 40.64 |
| 20 | 50.8 | 48.26 |
| 36 | 91.4 | 88.90 |

■ Ordering Information

| Appearance | Plugs with straight terminals | | Plugs with right-angle terminals | | |
|---|-------------------------------|---------------------|----------------------------------|---------------------|--------------------|
| | No. of contacts | Model (gold plated) | Model (tin plated) | Model (gold plated) | Model (tin plated) |
|  | 2 | XG8V-0231 | --- | --- | XG8V-0244 |
| | 3 | XG8V-0331 | XG8V-0341 | XG8V-0334 | XG8V-0344 |
| | 4 | XG8V-0431 | XG8V-0441 | XG8V-0434 | XG8V-0444 |
| | 5 | XG8V-0531 | XG8V-0541 | XG8V-0534 | XG8V-0544 |
| | 6 | XG8V-0631 | XG8V-0641 | XG8V-0634 | XG8V-0644 |
| | 7 | XG8V-0731 | XG8V-0741 | XG8V-0734 | XG8V-0744 |
| | 8 | XG8V-0831 | XG8V-0841 | XG8V-0834 | XG8V-0844 |
| | 10 | XG8V-1031 | XG8V-1041 | XG8V-1034 | XG8V-1044 |
| | 12 | XG8V-1231 | XG8V-1241 | XG8V-1234 | XG8V-1244 |
| | 13 | XG8V-1331 | --- | XG8V-1334 | --- |
| | 15 | XG8V-1531 | --- | XG8V-1534 | --- |
| | 16 | XG8V-1631 | XG8V-1641 | XG8V-1634 | XG8V-1644 |
| | 17 | XG8V-1731 | --- | XG8V-1734 | --- |
| | 20 | XG8V-2031 | XG8V-2041 | XG8V-2034 | XG8V-2044 |
| | 36 | XG8V-3631 | XG8V-3641 | XG8V-3634 | XG8V-3644 |

XG8W Original Plugs for MIL Connectors

■ Dimensions

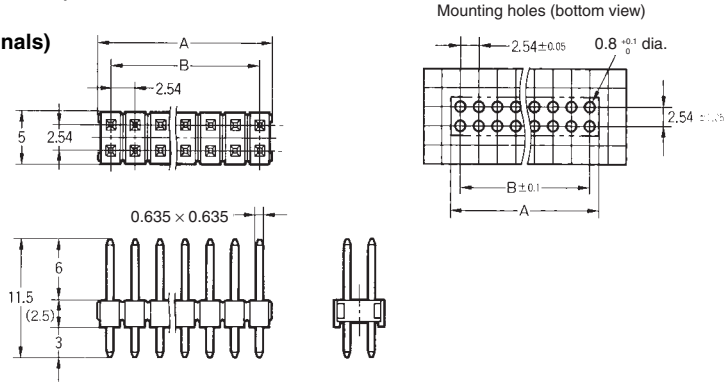
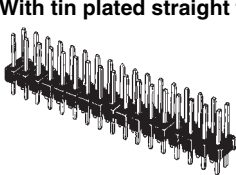
(Unit: mm)

XG8W-□□31

(With gold-plated straight terminals)

XG8W-□□41

(With tin plated straight terminals)



Dimensions

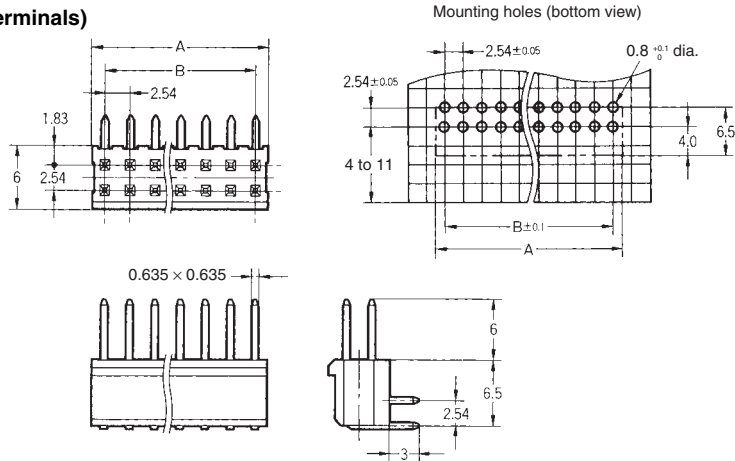
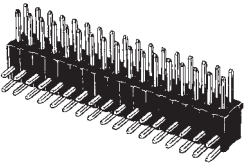
| No. of contacts | Dimensions (mm) | |
|-----------------|-----------------|-------|
| | A | B |
| 10 | 12.7 | 10.16 |
| 14 | 17.8 | 15.24 |
| 16 | 20.3 | 17.78 |
| 20 | 25.4 | 22.86 |
| 26 | 33.0 | 30.48 |
| 30 | 38.1 | 35.56 |
| 34 | 43.2 | 40.64 |
| 40 | 50.8 | 48.26 |
| 50 | 63.5 | 60.96 |
| 60 | 76.2 | 73.66 |

XG8W-□□34

(With gold-plated right-angle terminals)

XG8W-□□44

(With tin-plated right-angle terminals)



Dimensions

| No. of contacts | Dimensions (mm) | |
|-----------------|-----------------|-------|
| | A | B |
| 20 | 25.4 | 22.86 |
| 26 | 33.0 | 30.48 |
| 30 | 38.1 | 35.56 |
| 34 | 43.2 | 40.64 |
| 40 | 50.8 | 48.26 |
| 50 | 63.5 | 60.96 |

■ Ordering Information

| Appearance | Plugs with straight terminals | | Plugs with right-angle terminals | | |
|------------|-------------------------------|---------------------|----------------------------------|---------------------|--------------------|
| | No. of contacts | Model (gold plated) | Model (tin plated) | Model (gold plated) | Model (tin plated) |
| | 10 | XG8W-1031 | XG8W-1041 | --- | --- |
| | 14 | XG8W-1431 | XG8W-1441 | --- | --- |
| | 16 | XG8W-1631 | XG8W-1641 | --- | --- |
| | 20 | XG8W-2031 | XG8W-2041 | XG8W-2034 | XG8W-2044 |
| | 26 | XG8W-2631 | XG8W-2641 | XG8W-2634 | XG8W-2644 |
| | 30 | XG8W-3031 | XG8W-3041 | XG8W-3034 | XG8W-3044 |
| | 34 | XG8W-3431 | XG8W-3441 | XG8W-3434 | XG8W-3444 |
| | 40 | XG8W-4031 | XG8W-4041 | XG8W-4034 | XG8W-4044 |
| | 50 | XG8W-5031 | XG8W-5041 | XG8W-5034 | XG8W-5044 |
| | 60 | XG8W-6031 | XG8W-6041 | --- | --- |

XG8A (Single-row)/XG8B (Double-row) Original Plugs for MIL Connectors

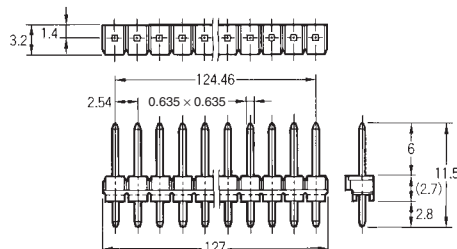
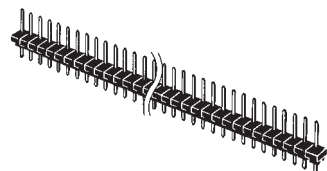
■ Dimensions

(Unit: mm)

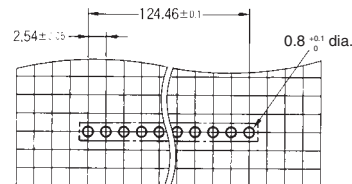
Single-row Plugs

XG8A-5031

(With straight terminals)

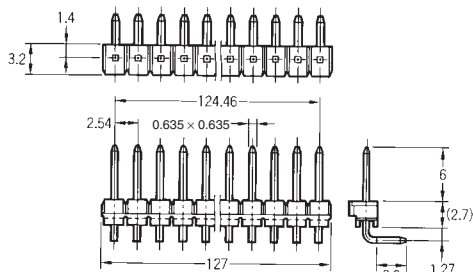
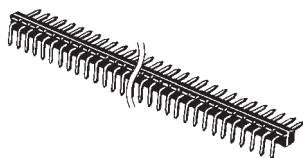


Mounting holes (bottom view)

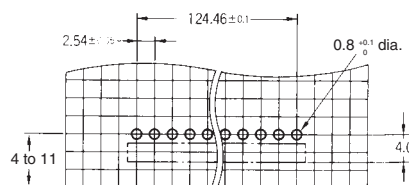


XG8A-5034

(With right-angle terminals)



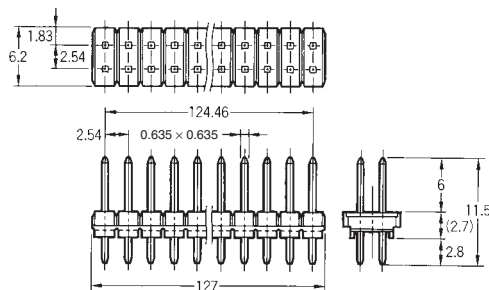
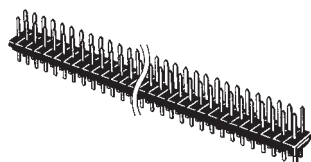
Mounting holes (bottom view)



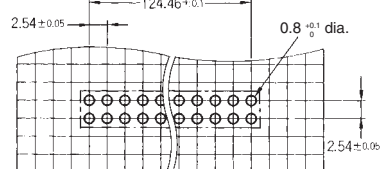
Double-row Plugs

XG8B-0131

(With straight terminals)

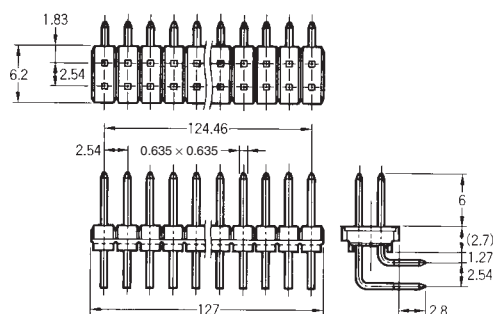
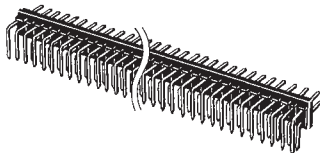


Mounting holes (bottom view)

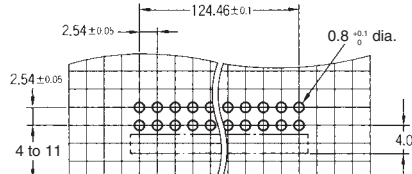


XG8B-0134

(With right-angle terminals)



Mounting holes (bottom view)



■ Ordering Information

| Terminal type | Plugs with straight terminals | Plugs with right-angle terminals |
|------------------|-------------------------------|----------------------------------|
| No. of contacts | Model (gold plated) | Model (gold plated) |
| 50 (Single-row) | XG8A-5031 | XG8A-5034 |
| 100 (Double-row) | XG8A-0131 | XG8A-0134 |

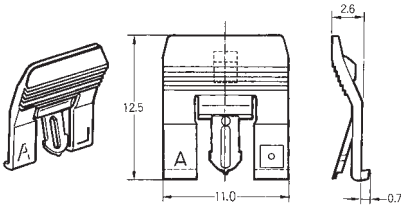
Accessories
(Sold Separately)

Lock Levers

XG5Z-0002

Can be used to lock XG8W Double-row Right-angle Terminal Plugs to XG4M Flat Cables and XG5M-N Discrete-wire IDC Connectors.

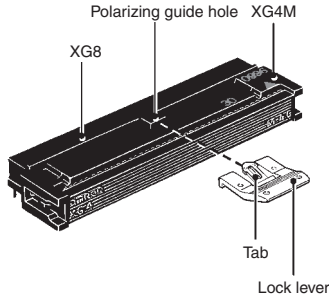
They cannot be used with XG8W Double-row Straight Terminal Plugs or XG8V Single-row Plugs.



| |
|------------------|
| Model |
| XG5Z-0002 |

Mounting the Lock Lever

Insert the tab on the Lock Lever into the hole on a Socket with a polarity guide. In this way, it can be locked with XG8W Right-angle Terminal Plugs.

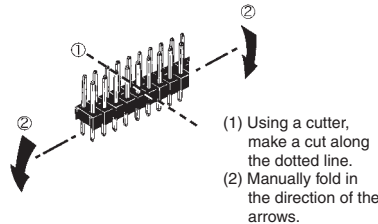


Precautions

Correct Use

Dividing the XG8W (with Straight Terminals), XG8V, XG8A, and XG8B

- Using a Cutter, make a cut on the slot as indicated by the dotted line in the diagram. Then fold the Plug manually in the direction of the arrows.



Automated Soldering Conditions (Jet Flow)

- Soldering temperature: 250 ±5°C
- Continuous soldering time: Within 5±1 s

Ordering Procedure

- Contact your OMRON representative if you require a product with a non-standard number of contacts.

• Application examples provided in this document are for reference only. In actual applications, confirm equipment functions and safety before using the product.
 • Consult your OMRON representative before using the product under conditions which are not described in the manual or applying the product to nuclear control systems, railroad systems, aviation systems, vehicles, combustion systems, medical equipment, amusement machines, safety equipment, and other systems or equipment that may have a serious influence on lives and property if used improperly. Make sure that the ratings and performance characteristics of the product provide a margin of safety for the system or equipment, and be sure to provide the system or equipment with double safety mechanisms.

Note: Do not use this document to operate the Unit.

OMRON Corporation
Electronic and Mechanical Components Company

Contact: www.omron.com/ecb

Cat. No. G043-E1-03
0816(0412)(O)

Mouser Electronics

Authorized Distributor

Click to View Pricing, Inventory, Delivery & Lifecycle Information:

Omron:

[XG8V-0831](#) [XG8V-1644](#) [XG8V-2034](#) [XG8V-2044](#) [XG8V-0631](#) [XG8V-0641](#) [XG8V-1031](#) [XG8V-0531](#) [XG8V-0331](#)
[XG8V-0431](#) [XG8V-3631](#)