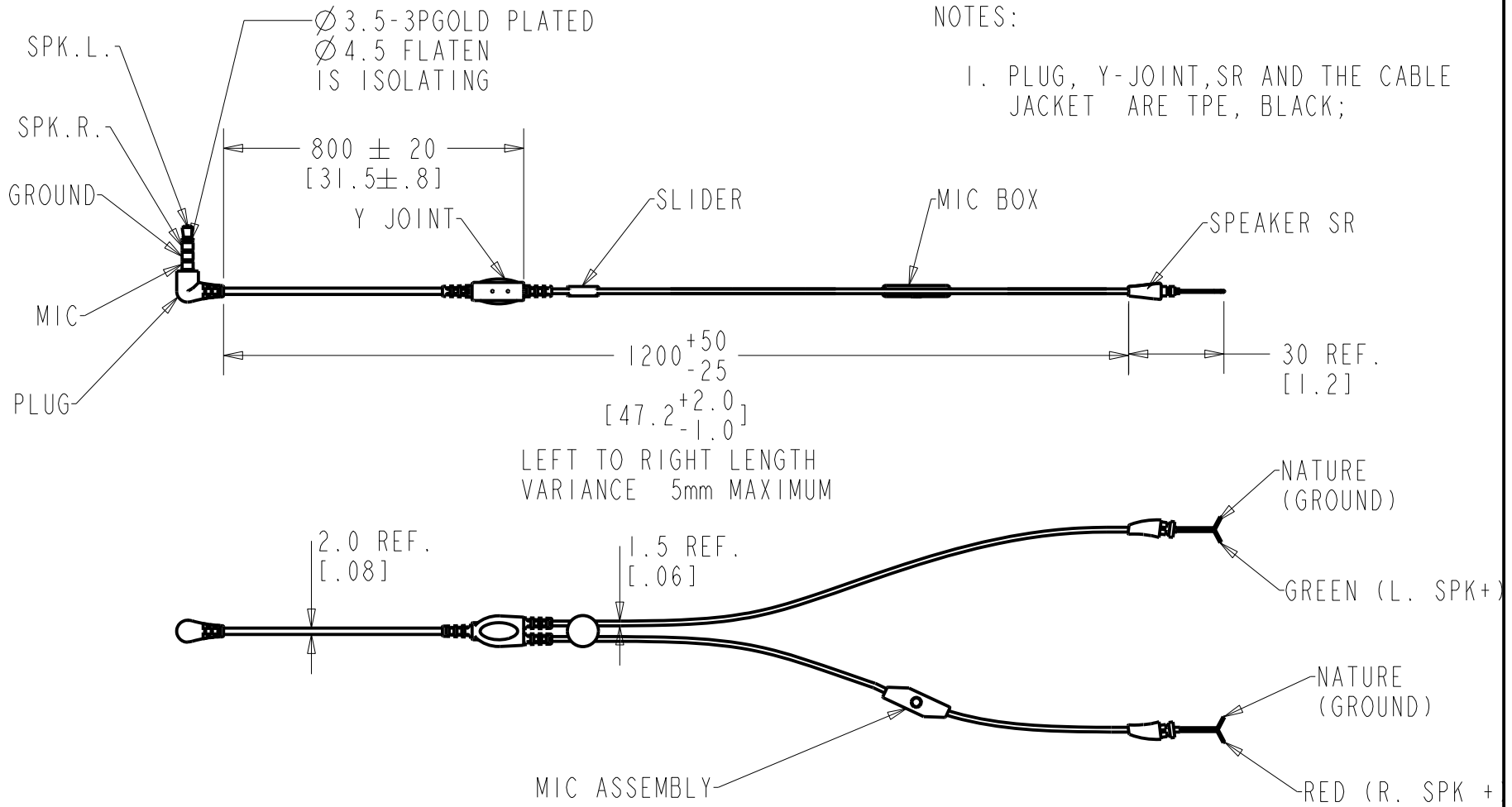


THE INFORMATION CONTAINED IN THIS LITERATURE IS BASED ON OUR EXPERIENCE TO DATE AND IS BELIEVED TO BE RELIABLE AND IT IS SUBJECT TO CHANGE WITHOUT NOTICE. IT IS INTENDED AS A GUIDE FOR USE BY PERSONS HAVING TECHNICAL SKILL AT THEIR OWN DISCRETION AND RISK. WE DO NOT GUARANTEE FAVORABLE RESULTS OR ASSUME ANY LIABILITY IN CONNECTION WITH ITS USE. DIMENSIONS CONTAINED HEREIN ARE FOR REFERENCE PURPOSES ONLY. FOR SPECIFIC DIMENSIONAL REQUIREMENTS CONSULT MANUFACTURER. THIS PUBLICATION IS NOT TO BE TAKEN AS A LICENSE TO OPERATE UNDER, OR RECOMMENDATION TO INFRINGE ANY EXISTING PATENTS. THIS SUPERSEDES AND VOIDS ALL PREVIOUS LITERATURE.

TC-32349-000
SHT 1.1



KNOWLES ACOUSTICS
ITASCA, ILLINOIS U.S.A.

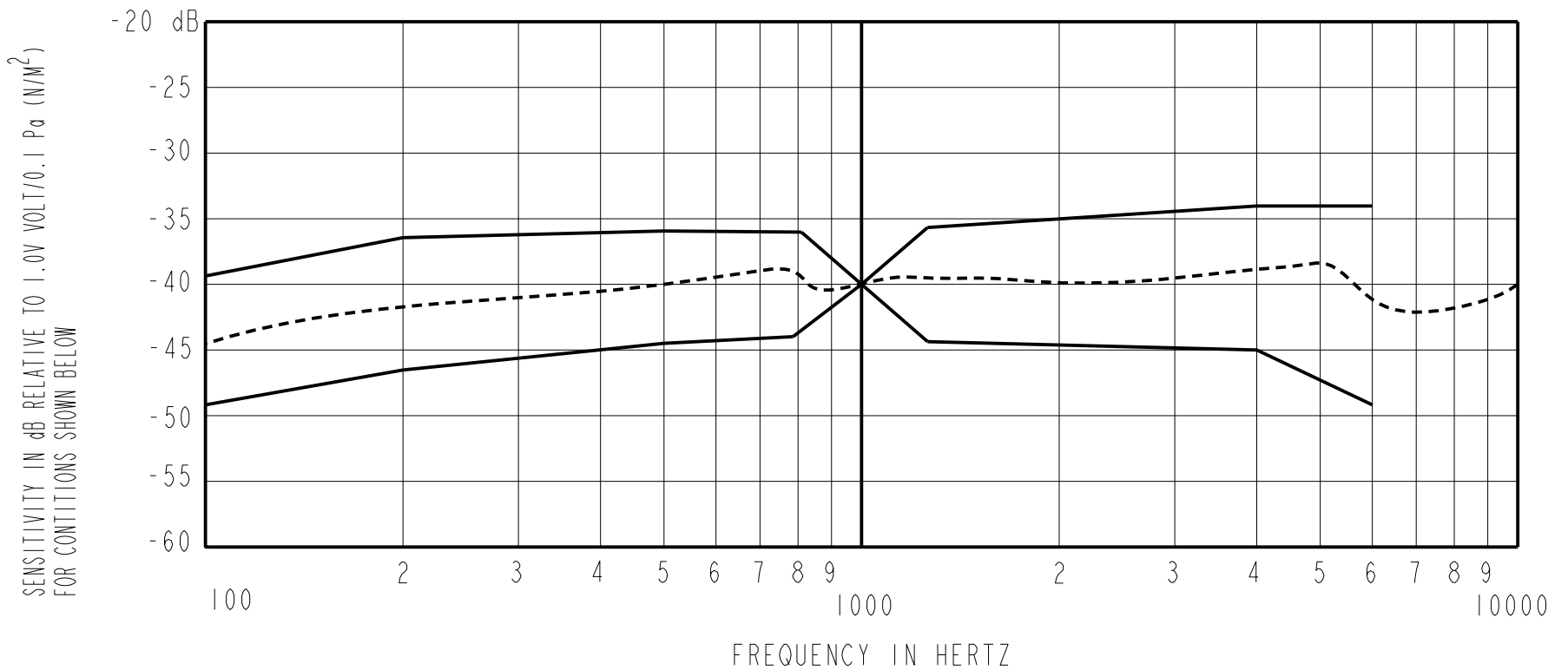
Revision	C.O. #	Implementation Date	RELEASE LEVEL	REVISION
			Active	A
A	C40101526	10-11-14		

SCALE: 1:2		DR. BY: JL	DATE: 10-11-14
DO NOT SCALE DRAWING			
TITLE: CABLE ASSEMBLY		TC-32349-000	GJP 10-24-14
OUTLINE DRAWING		SHT 1.1	APP. BY: GJP DATE: 10-24-14

THE INFORMATION CONTAINED IN THIS LITERATURE IS BASED ON OUR EXPERIENCE TO DATE AND IS BELIEVED TO BE RELIABLE AND IT IS SUBJECT TO CHANGE WITHOUT NOTICE. IT IS INTENDED AS A GUIDE FOR USE BY PERSONS HAVING TECHNICAL SKILL AT THEIR OWN DISCRETION AND RISK. WE DO NOT GUARANTEE FAVORABLE RESULTS OR ASSUME ANY LIABILITY IN CONNECTION WITH ITS USE. DIMENSIONS CONTAINED HEREIN ARE FOR REFERENCE PURPOSES ONLY. FOR SPECIFIC DIMENSIONAL REQUIREMENTS CONSULT MANUFACTURER. THIS PUBLICATION IS NOT TO BE TAKEN AS A LICENSE TO OPERATE UNDER, OR RECOMMENDATION TO INFRINGE ANY EXISTING PATENTS. THIS SUPERSEDES AND VOIDS ALL PREVIOUS LITERATURE.

TC-32349-000

SHEET 2.1



SENSITIVITY

FREQ	MIN	NOR	MAX
100	---	-44.5	---
200	---	-41.5	---
800	---	-39.0	---
1000	-43.0	-40.0	-37.0
1500	---	-39.5	---
5000	---	-38.5	---
6000	---	-41.5	---
10000	---	-40.0	---

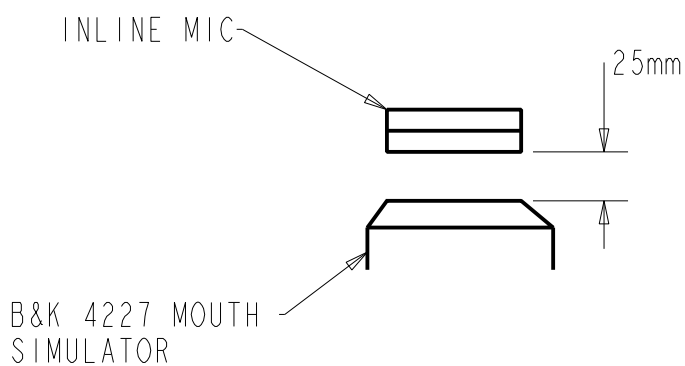
RANGE OF DEVIATION FROM 1KHz

FREQ	DOWN	UP
100	-9.5	0.5
200	-6.5	3.5
800	-4.0	4.0
1000	-3.0	3.0
1500	-4.5	4.5
4000	-5.0	6.5
6000	-9.0	6.5

SENSITIVITY OF FINISHED GOODS. -40 dB RE 1.0V/Pa AT 1KHz

TEST CONTITION:

INLINE MIC EXPOSED TO 94dB SPL SWEPT.
SOUND FIELD AT 25mm FROM VOICE APERTURE.
ARTIFICIAL VOICE: B&K 4227 MOUTH SIMULATOR
SOURCE VOLTAGE: 2.0V
RESISTANCE: 2.2K ohm
CURRENT DRAIN: 0.5 mA MAX.



KNOWLES ACOUSTICS
ITASCA, ILLINOIS U.S.A.

Revision	C.O. #	Implementation Date	RELEASE LEVEL	REVISION
			Active	A
A	C40101526	10-11-14		
WHEN TEST LIMITS ARE USED TO ESTABLISH INCOMING INSPECTION ACCEPTANCE/REJECTION CRITERIA, CORRELATION OF TEST EQUIPMENT WITH KNOWLES IS ALSO REQUIRED FOR ELIMINATION OF EQUIPMENT AND TEST METHOD VARIATION			DR. BY	DATE
TITLE: CABLE ASSEMBLY TC-32349-000 PERFORMANCE SPECIFICATION SHT 2.1			JL	10-11-14
			CK. BY	DATE
			GJP	10-24-14
			APP. BY	DATE
			GJP	10-24-14

Mouser Electronics

Authorized Distributor

Click to View Pricing, Inventory, Delivery & Lifecycle Information:

[Knowles:](#)

[TC-32349-000](#) [TC-32485-000](#) [TC-32348-000](#)