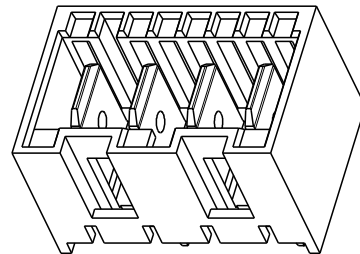
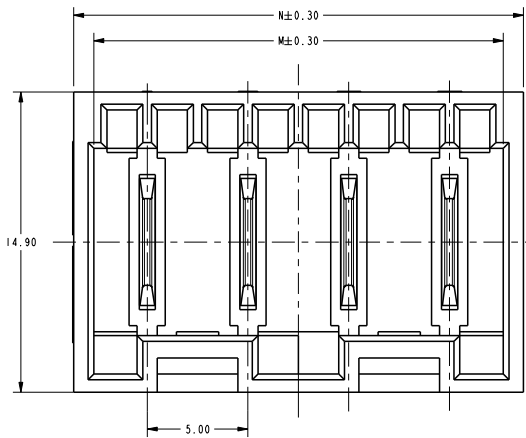
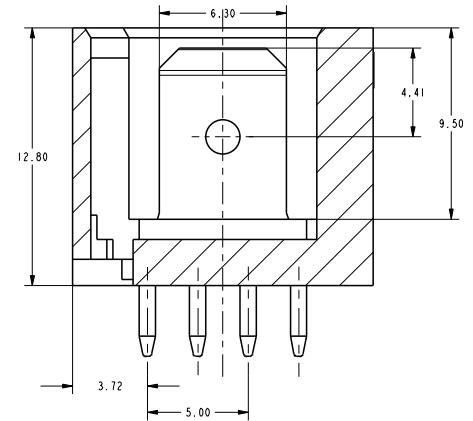
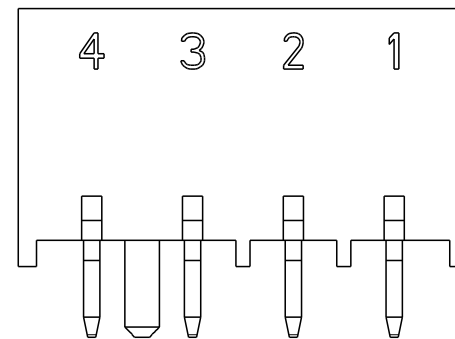
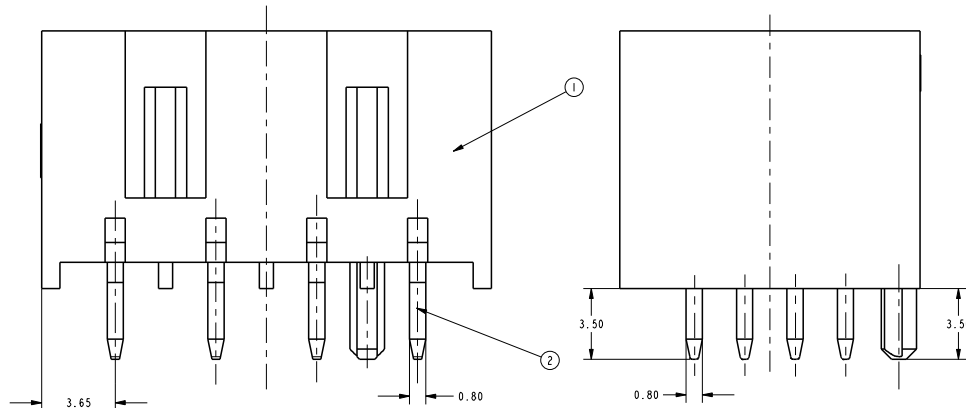


REV	DATE	DESCRIPTION	BY	CHK
00				
A23	ECR-17-013299			

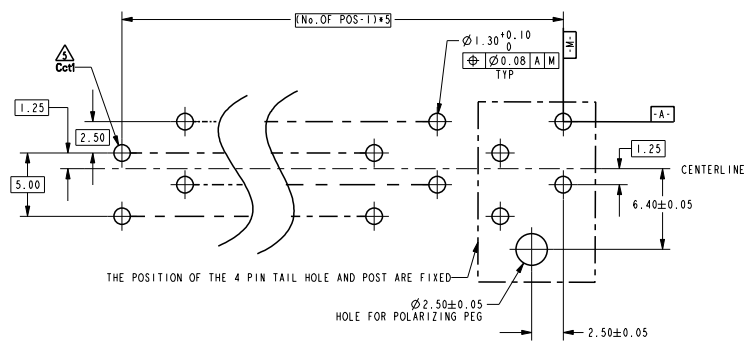


**NOTE**

- HOUSING HAS RAST 5 COMPLIANT KEYING, LATCHING, AND POLARIZATION TAB IS 6.30 X 0.8 ACCORDING TO DIN 46244
  - SEE SHEET 2 FOR AVAILABLE CONFIGURATIONS
  - MATERIAL: HOUSING, NYLON, UL94 V0, 750°C GWI NO FLAME CONTACT, COPPER ALLOY, 0.8MM THICK
  - FINISH: CONTACTS, MATT TIN PLATING OVERALL, NICKEL UNDER-PLATING BRIGHT TIN PLATING OVERALL, NICKEL UNDER-PLATING SILVER PLATING OVERALL, NICKEL UNDER-PLATING
- ⚠ PCB TABS INSERTED IN A STAGGERED PATTERN BEGINNING WITH POSITION 1 (C<sub>C</sub>+1)
- ⚠ THE PART NUMBERS SHOWING IN SHEET 2 & 3 & 4 & 5 ARE FOR NATURAL COLOR. THE PART NUMBER FOR OTHER COLOR ARE BASED ON THE NATURAL ONE. FOR THE SAME CONFIGURATION, THE PREFIX AND POSTFIX OF THE P/N ARE THE SAME. ONLY THE BASE NUMBER IS DIFFERENT ACCORDING TO DIFFERENT COLOR. DETAIL PLEASE SEE SHEET 6
- 7 PACKAGING: LOOSE PIECE OR TUBE. THE PART NUMBERS IN THIS DRAWING ARE WITH LOOSE PIECE PACKAGING. PLEASE CONTACT TE SALES REPRESENTATIVES FOR TUBE PACKAGING REQUIREMENT.
- ⚠ PRELIMINARY PART, NOT RELEASED FOR PRODUCTION.
- ⚠ FOR P/N: 2-1971895-4:  
 1) THE CONTACTS ARE WITH BRIGHT TIN PLATING.  
 2) INSERTION FORCE MATING WITH 4P MONO SHAPE MK1 CONNECTOR: 85N MAX ACCORDING TO IEC 60512-13-1, Test 13a
- ⚠ FOR P/N: 5-1971845-8, 2-1971845-6, 6-1971845-5 AND 2-1971895-5:  
 1) THE CONTACTS ARE WITH BRIGHT TIN PLATING.
- ⚠ PART NUMBERS WITH TUBE PACKAGING



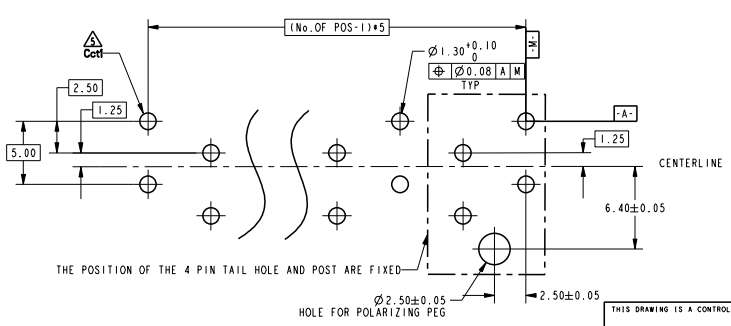
SECTION A-A



THE POSITION OF THE 4 PIN TAIL HOLE AND POST ARE FIXED

∅ 2.50±0.05 HOLE FOR POLARIZING PEG

RECOMMEND PCB LAYOUT - SOLDER SIDE  
 EVEN NUMBER OF PINS  
 PCB 16±0.2 THICK



THE POSITION OF THE 4 PIN TAIL HOLE AND POST ARE FIXED

∅ 2.50±0.05 HOLE FOR POLARIZING PEG

RECOMMEND PCB LAYOUT - SOLDER SIDE  
 ODD NUMBER OF PINS  
 PCB 16±0.2 THICK

N	M	NO. OF POS.
42.30	40.30	8
37.30	35.30	7
32.30	30.30	6
27.30	25.30	5
22.30	20.30	4
17.30	15.30	3
12.30	10.30	2

THIS DRAWING IS A CONTROLLED DOCUMENT.

DATE: 21JAN2013  
 CHK: JHAPYE  
 DATE: 21JAN2013  
 DATE: 21JAN2013

TE Connectivity  
**RAST 5 TAB HEADER ASSY**  
 DIN STYLE, TH, VERTICAL

PRODUCT SPEC: 108-108080  
 APPLICATION SPEC: 108-108080

STRT: 00779  
 DRAWING NO: 1971845  
 CUSTOMER DRAWING

SCALE: 8:1  
 SHEET: 1 OF 6

LOC	DATE	BY	REVISIONS
			DESCRIPTION DATE DWG APPR
			SEE SHEET 1

color	QTY	②	QTY	①	NO. OF POS.	TE PART NO.
NATURAL	8	TAB CONTACT MATT TIN PLATING (5-1971845-8, 6-1971845-5, 2-1971845-6 AND 2-1971895-5 WITH BRIGHT TIN)	I	RAST 5 TAB HEADER HOUSING, 8P. (SEE THE DETAIL LAYOUT ON SHEET 5)	8	6-1971845-8 5-1971845-8 4-1971845-8 3-1971845-8 2-1971845-8 1-1971845-8 1971845-8
RED			I	RAST 5 TAB HEADER HOUSING, 7P. (SEE THE DETAIL LAYOUT ON SHEET 5)	7	1971946-7 1971895-7 9-1971845-7 8-1971845-7 7-1971845-7 6-1971845-7 5-1971845-7 4-1971845-7 3-1971845-7 2-1971845-7 1-1971845-7 1971845-7
NATURAL	7		I	RAST 5 TAB HEADER HOUSING, 6P. (SEE THE DETAIL LAYOUT ON SHEET 5)	6	1-1971895-6 1971895-6 9-1971845-6 8-1971845-6 7-1971845-6 6-1971845-6 5-1971845-6 4-1971845-6 3-1971845-6 2-1971845-6 1-1971845-6 1971845-6
BLUE			I	RAST 5 TAB HEADER HOUSING, 5P. (SEE THE DETAIL LAYOUT ON SHEET 4)	5	1971954-5 2-1971895-5 1-1971895-5 1971895-5 9-1971845-5 8-1971845-5 7-1971845-5 6-1971845-5 5-1971845-5 4-1971845-5 3-1971845-5 2-1971845-5 1-1971845-5 1971845-5

color	QTY	②	QTY	①	NO. OF POS.	TE PART NO.
GREEN	4	TAB CONTACT MATT TIN PLATING (2-1971895-4 IS WITH BRIGHT TIN)	I	RAST 5 TAB HEADER HOUSING, 4P (SEE THE DETAIL LAYOUT ON SHEET 4)	4	1971962-4 2298030-4 9-1971895-4 8-1971895-4 7-1971895-4 6-1971895-4 5-1971895-4 4-1971895-4 3-1971895-4 2-1971895-4 1-1971895-4 1971895-4 9-2304591-4 9-1971845-4 8-1971845-4 7-1971845-4 6-1971845-4 5-1971845-4 4-1971845-4 3-1971845-4 2-1971845-4 1-1971845-4 1971845-4
natural	3		I	RAST 5 TAB HEADER HOUSING, 3P. (SEE THE DETAIL LAYOUT ON SHEET 4)	3	5-1971895-3 4-1971895-3 3-1971895-3 2-1971895-3 1-1971895-3 1971895-3 9-1971845-3 8-1971845-3 7-1971845-3 6-1971845-3 5-1971845-3 4-1971845-3 3-1971845-3 2-1971845-3 1-1971845-3 1971845-3
	2		I	RAST 5 TAB HEADER HOUSING, 2P (SEE THE DETAIL LAYOUT ON SHEET 4)	2	7-1971895-2 6-1971895-2 5-1971895-2 4-1971895-2 3-1971895-2 2-1971895-2 1-1971895-2 1971895-2 9-1971845-2 8-1971845-2 7-1971845-2 6-1971845-2 5-1971845-2 4-1971845-2 3-1971845-2 2-1971845-2 1-1971845-2 1971845-2

THIS DRAWING IS A CONTROLLED DOCUMENT.

DATE	21Jan2013	APP	
REVISED BY	21Jan2013	CHK	
DATE	21Jan2013	APP	
DATE	21Jan2013	CHK	

TE Connectivity

RAST 5 TAB HEADER ASSY  
DIN STYLE, TH. VERTICAL

SCALE: 8:1 SHEET 2 OF 6

D

D

C

C

B

B

A

A

LOC	QTY	REV	DESCRIPTION	DATE	BY	APPD
			SEE SHEET 1			

color	QTY	②	QTY	①	NO. OF POS.	TE PART NO.
NATURAL	8	I	RAST 5 TAB HEADER HOUSING, 8P, NATURE (SEE THE DETAIL LAYOUT ON SHEET 5)	8	6-1971846-8	
					5-1971846-8	
					4-1971846-8	
					3-1971846-8	
					2-1971846-8	
					1-1971846-8	
					1971846-8	
					1971896-7	
	7	I	RAST 5 TAB HEADER HOUSING, 7P, NATURE (SEE THE DETAIL LAYOUT ON SHEET 5)	7	9-1971846-7	
					8-1971846-7	
					7-1971846-7	
					6-1971846-7	
					5-1971846-7	
					4-1971846-7	
					3-1971846-7	
					2-1971846-7	
	6	I	RAST 5 TAB HEADER HOUSING, 6P, NATURE (SEE THE DETAIL LAYOUT ON SHEET 5)	6	1-1971846-7	
					1971846-7	
					1-1971896-6	
					1971896-6	
9-1971846-6						
8-1971846-6						
7-1971846-6						
6-1971846-6						
5	I	RAST 5 TAB HEADER HOUSING, 5P, NATURE (SEE THE DETAIL LAYOUT ON SHEET 4)	5	5-1971846-6		
				4-1971846-6		
				3-1971846-6		
				2-1971846-6		
				1-1971846-6		
				1971846-6		
				1971896-5		
				9-1971846-5		
5	I	RAST 5 TAB HEADER HOUSING, 5P, NATURE (SEE THE DETAIL LAYOUT ON SHEET 4)	5	8-1971846-5		
				7-1971846-5		
				6-1971846-5		
				5-1971846-5		
				4-1971846-5		
				3-1971846-5		
				2-1971846-5		
				1-1971846-5		
5	I	RAST 5 TAB HEADER HOUSING, 5P, NATURE (SEE THE DETAIL LAYOUT ON SHEET 4)	5	1971846-5		
				1971846-5		

color	QTY	②	QTY	①	NO. OF POS.	TE PART NO.
NATURAL	4	I	RAST 5 TAB HEADER HOUSING, 4P, NATURE (SEE THE DETAIL LAYOUT ON SHEET 4)	4	1-2298031-4	
					9-1971896-4	
					7-1971896-4	
					6-1971896-4	
					5-1971896-4	
					4-1971896-4	
					3-1971896-4	
					2-1971896-4	
	3	I	RAST 5 TAB HEADER HOUSING, 3P, NATURE (SEE THE DETAIL LAYOUT ON SHEET 4)	3	1-1971896-4	
					1971896-4	
					9-1971846-4	
					8-1971846-4	
					7-1971846-4	
					6-1971846-4	
					5-1971846-4	
					4-1971846-4	
	2	I	RAST 5 TAB HEADER HOUSING, 2P, NATURE (SEE THE DETAIL LAYOUT ON SHEET 4)	2	3-1971846-4	
					2-1971846-4	
					1-1971846-4	
					1971846-4	
4-1971896-3						
3-1971896-3						
2-1971896-3						
1-1971896-3						
2	I	RAST 5 TAB HEADER HOUSING, 2P, NATURE (SEE THE DETAIL LAYOUT ON SHEET 4)	2	1971896-3		
				9-1971846-3		
				8-1971846-3		
				7-1971846-3		
				6-1971846-3		
				5-1971846-3		
				4-1971846-3		
				3-1971846-3		
2	I	RAST 5 TAB HEADER HOUSING, 2P, NATURE (SEE THE DETAIL LAYOUT ON SHEET 4)	2	2-1971846-3		
				1-1971846-3		
				1971846-3		
				6-1971896-2		
				5-1971896-2		
				4-1971896-2		
				3-1971896-2		
				2-1971896-2		
2	I	RAST 5 TAB HEADER HOUSING, 2P, NATURE (SEE THE DETAIL LAYOUT ON SHEET 4)	2	1-1971896-2		
				1971896-2		
				9-1971846-2		
				8-1971846-2		
				7-1971846-2		
				6-1971846-2		
				5-1971846-2		
				4-1971846-2		
2	I	RAST 5 TAB HEADER HOUSING, 2P, NATURE (SEE THE DETAIL LAYOUT ON SHEET 4)	2	3-2304599-2		
				3-1971846-2		
				2-1971846-2		
				1-1971846-2		
				1971846-2		

THIS DRAWING IS A CONTROLLED DOCUMENT.

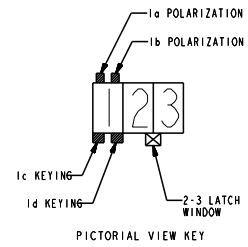
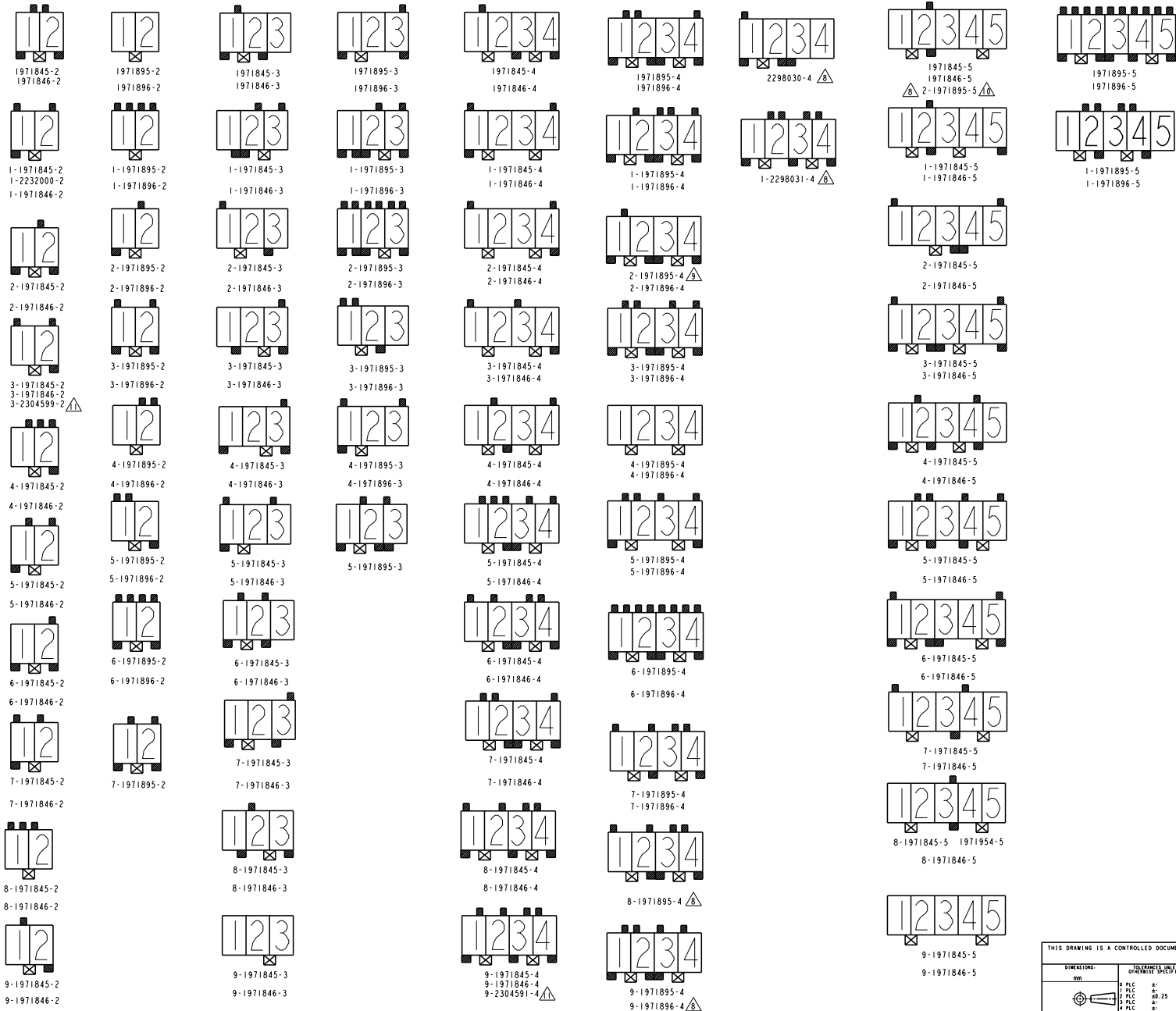
DATE: 21Jan2013	REV: 001
BY: JHAPYE	CHK: JHAPYE
DATE: 21Jan2013	APPD: JHAPYE

TE Connectivity

RAST 5 TAB HEADER ASSY  
 DIN STYLE, TH. VERTICAL

SCALE: 8:1 | SHEET: 3 OF 6 | DATE: 1/23

REV	DATE	BY	APPD	DESCRIPTION
1				SEE SHEET 1



THIS DRAWING IS A CONTROLLED DOCUMENT.		REV	21Jan2013	 TE Connectivity
DIMENSIONAL		DRP	21Jan2013	
mm	UNLESS OTHERWISE SPECIFIED:	CHK	21Jan2013	PART 5 TAB HEADER ASSY DIN STYLE, TH. VERTICAL
		APPD	21Jan2013	
		PRODUCT SPEC		
		APPLICATION SPEC		
MATERIAL	FINISH	HEIGHT	Customer Drawing	SCALE 8:1 SHEET 4 of 6 DRAWING NO. 00779 ©=1971845 RESTRICTED TO

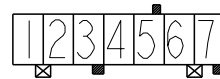
LOC	DATE	REVISIONS	DATE	BY	APP
		SEE SHEET 1			



1971845-6  
1971846-6



1971895-6  
1971896-6



1971845-7  
1971846-7



1971895-7  
1971896-7



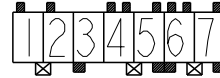
1971845-8  
1971846-8



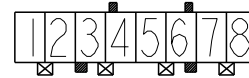
1-1971845-6  
1-1971846-6



1-1971895-6  
1-1971896-6



1-1971845-7  
1-1971846-7



1-1971845-8  
1-1971846-8



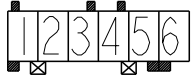
2-1971845-6  
2-1971846-6



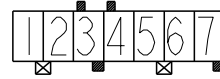
2-1971845-7  
2-1971846-7



2-1971845-8  
2-1971846-8



3-1971845-6  
3-1971846-6



3-1971845-7  
3-1971846-7



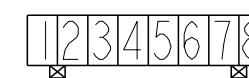
3-1971845-8  
3-1971846-8



4-1971845-6  
4-1971846-6



4-1971845-7  
4-1971846-7



4-1971845-8  
4-1971846-8



5-1971845-6  
5-1971846-6



5-1971845-7  
5-1971846-7



5-1971845-8  
5-1971846-8



6-1971845-6  
6-1971846-6



6-1971845-7 1971846-7



6-1971845-8  
6-1971846-8



7-1971845-6  
7-1971846-6



7-1971845-7  
7-1971846-7



8-1971845-6  
8-1971846-6



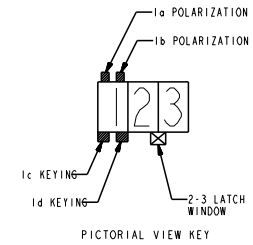
8-1971845-7  
8-1971846-7



9-1971845-6  
9-1971846-6



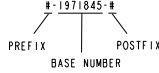
9-1971845-7  
9-1971846-7



THIS DRAWING IS A CONTROLLED DOCUMENT.		REV	21Jan2013	TE Connectivity
DIMENSIONAL UNIT: mm		DRP	21Jan2013	
TOLERANCE UNLESS OTHERWISE SPECIFIED:		CHK	21Jan2013	RAST 5 TAB HEADER ASSY DIN STYLE, TH. VERTICAL
		APP	21Jan2013	
MATERIAL:		PRODUCT SPEC	108-108080	STEEL CASE CODE DRAWING NO A1 00779 ©=1971845
FINISH:		APPLICATION SPEC		
SCALE: 8:1		HEIGHT		RESTRICTED TO Customer Drawing
SHEET 5 OF 6		DATE		

LOC	DATE	REVISIONS
P	REV	DESCRIPTION
-	-	SEE SHEET 1
-	-	-
-	-	-
-	-	-

FOR ANY KEYING CONFIGURATION, THERE ARE EIGHT COLORS AVAILABLE. BESIDES THE NATURAL COLOR, THERE ARE OTHER SEVEN COLORS, INCLUDE: YELLOW, BLUE, GREY, PURPLE, RED, GREEN, BLACK. THE WHITE VERSION IS PRELIMINARY. THE P/N OF THE COLOR CONNECTOR ARE BASED ON THE NATURAL CONNECTOR, THE PREFIX AND POSTFIX ARE THE SAME FOR THE SAME KEYING CONFIGURATION, BUT THE BASE NUMBERS ARE DIFFERENT ACCORDING TO DIFFERENT COLOR. THE FOLLOWING SHOWS WHAT'S THE P/N FOR COLOR CONNECTOR



COLOR	PART NUMBER OF THE CONNECTOR				COMMENTS
	WITH MATT TIN PLATING CONTACT		WITH AG PLATING CONTACT		
NATURAL	#-1971845-#	#-1971895-#	#-1971846-#	#-1971896-#	THE DETAIL P/N FOR DIFFERENT KEYING SEE SHEET 2-5
RED	#-1971946-#	#-1971948-#	#-1971947-#	#-1971949-#	THE PREFIX AND POSTFIX ARE THE SAME WITH THE P/N OF THE NATURAL CONNECTOR FOR THE SAME KEYING, POLARIZATION, LATCH WINDOW CONFIGURATION. JUST THE BASE NUMBERS ARE DIFFERENT BASED ON DIFFERENT COLOR. # CAN BE THE NUMBER FROM 0 TO 9. BUT THERE ARE TWO EXEMPTION PART NUMBERS. 1971954-5 (BLUE) AND 1971946-7 (RED)
BLUE	#-1971954-#	#-1971956-#	#-1971955-#	#-1971957-#	
YELLOW	#-2232008-#	#-2232010-#	#-2232009-#	#-2232011-#	
BLACK	#-2232000-#	#-2232002-#	#-2232001-#	#-2232003-#	
GREY	#-2232016-#	#-2232018-#	#-2232017-#	#-2232019-#	
GREEN	#-1971962-#	#-1971964-#	#-1971963-#	#-1971965-#	
PURPLE	#-2232024-#	#-2232026-#	#-2232025-#	#-2232027-#	
WHITE	#-2232289-#	#-2232291-#	#-2232290-#	#-2232292-#	

THERE ARE TWO EXEMPTION FOR COLOR PART NUMBERS

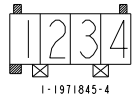


1971954-5 (BLUE)



1971946-7 (RED)

FOR EXAMPLE, IF A CONNECTOR WITH THE CONFIGURATION AS BELOW, AND WITH MATT TIN PLATING CONTACT, IN THE SHEET 4, WE CAN FIND THE RELATED CONNECTOR P/N WITH NATURAL COLOR IS 1-1971845-4, THEN WE CAN LOOK IN THE ABOVE TABLE TO FIND THE CONNECTOR P/N WITH RED COLOR IS 1-1971946-3



1-1971845-4

COLOR	PART NUMBER OF THE CONNECTOR		COMMENTS
	WITH BRIGHT TIN PLATING CONTACT		
NATURAL	#-2232906-#	#-2232907-#	THE KEYING, POLARIZATION AND LATCH WINDOW CONFIGURATION ARE SAME AS THE MATT TIN CONNECTOR WITH THE SAME PREFIX AND POSTFIX FOR EACH COLOR. FOR EXAMPLE: 2232906-4 AND 1971845-4 HAVE SAME KEYING, POLARIZATION AND LATCH WINDOW CONFIGURATION. 2232907-4 AND 1971895-4 HAVE SAME KEYING, POLARIZATION AND LATCH WINDOW CONFIGURATION. THE DETAIL KEYING - POLARIZATION AND LATCH WINDOW CONFIGURATION FOR EACH P/N, PLEASE SEE SHEET 2-5
RED	#-2232908-#	#-2232909-#	
BLUE	#-2232910-#	#-2232911-#	
YELLOW	#-2232912-#	#-2232913-#	
BLACK	#-2232914-#	#-2232915-#	
GREY	#-2232916-#	#-2232917-#	
GREEN	#-2232918-#	#-2232919-#	
PURPLE	#-2232920-#	#-2232921-#	
WHITE	#-2232922-#	#-2232923-#	

THIS DRAWING IS A CONTROLLED DOCUMENT.		REV: 21Jan2013	
DIMENSIONAL mm		CHG: 21Jan2013	
TOLERANCES UNLESS OTHERWISE SPECIFIED:		APP: 21Jan2013	PART: RAST 5 TAB HEADER ASSY DIN STYLE, TH. VERTICAL PRODUCT SPEC: 108-108080 APPLICATION SPEC:
D. PLG #:		DATE: 21Jan2013	
F. PLG #:		SCALE: 8:1	
MATERIAL:		Customer Drawing	
FINISH:		HEIGHT:	SHEET: 6 of 6 DRAWING NO: 00779 DRAWING NO: 1971845
RESTRICTED TO:			

# Mouser Electronics

Authorized Distributor

Click to View Pricing, Inventory, Delivery & Lifecycle Information:

[TE Connectivity:](#)

[1-1971846-2](#)