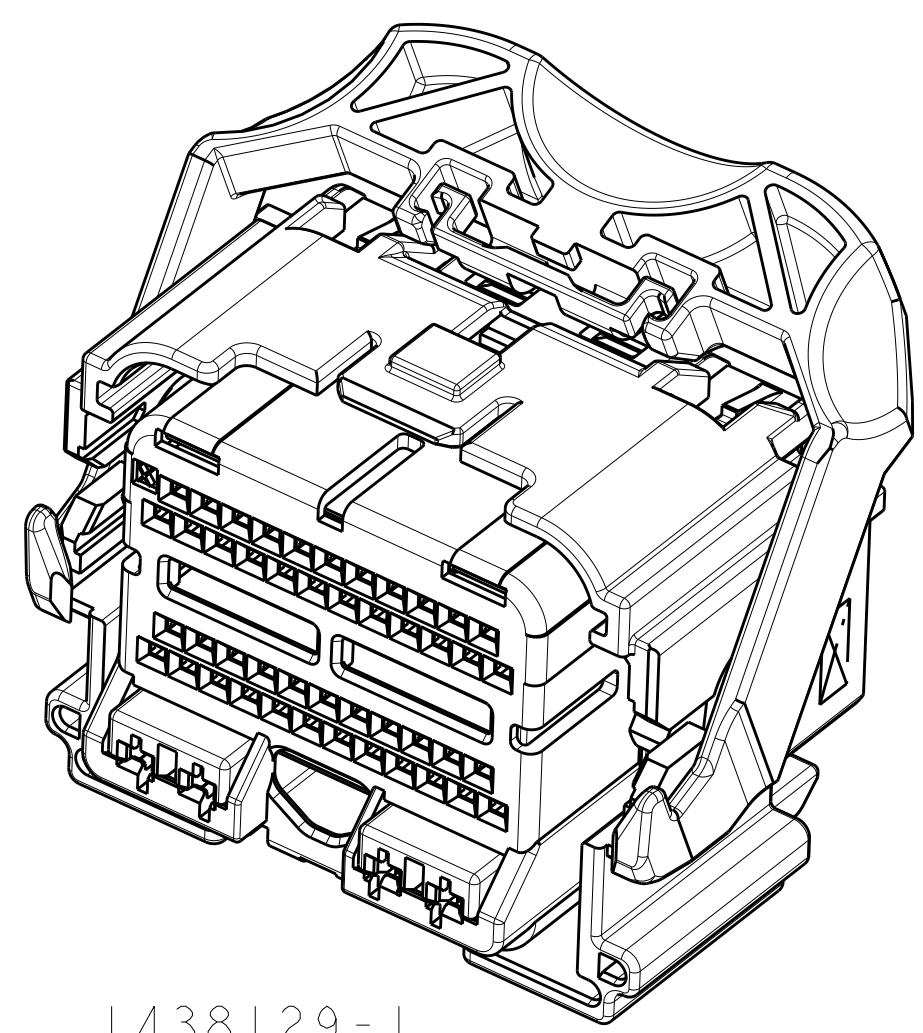
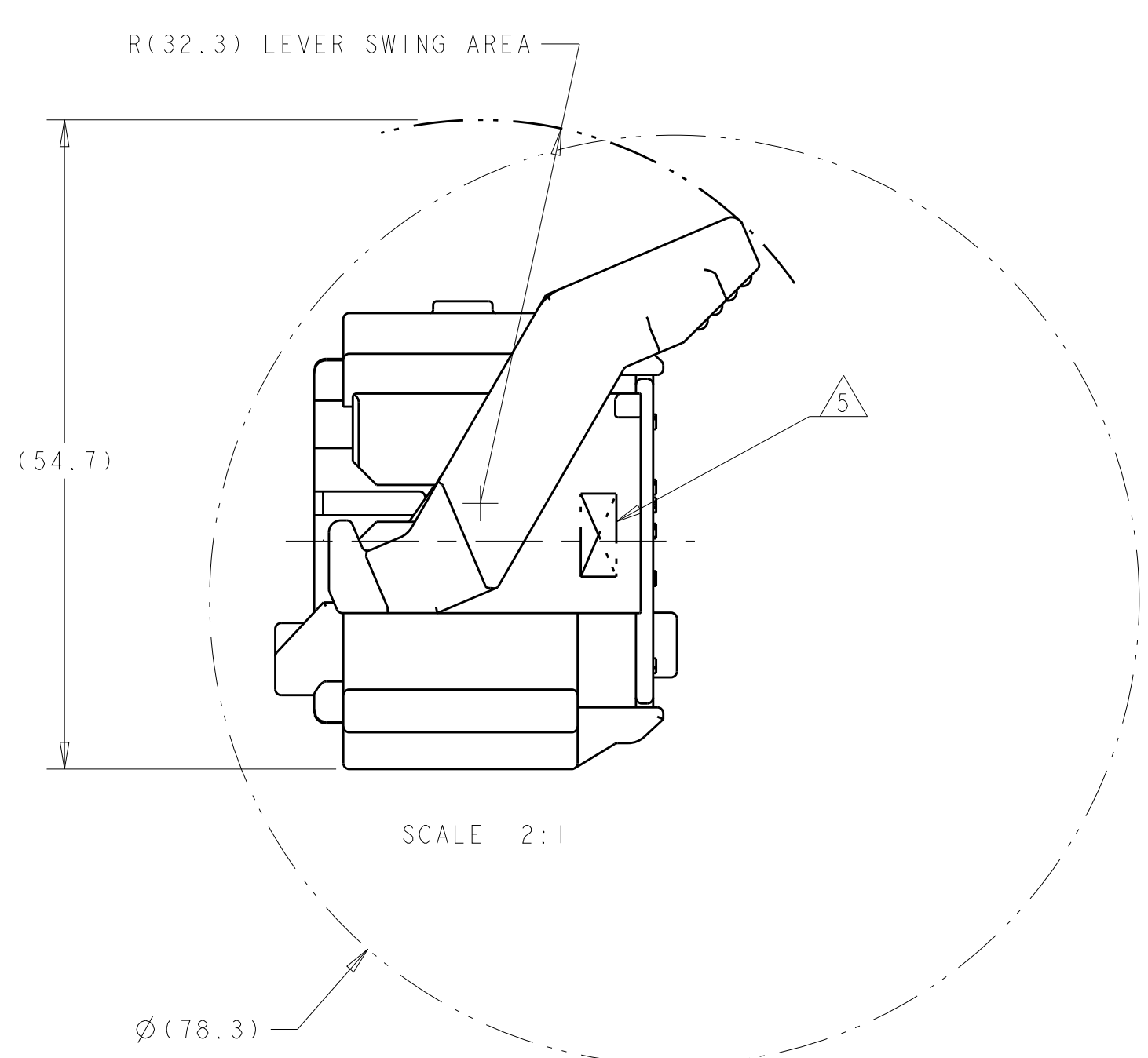
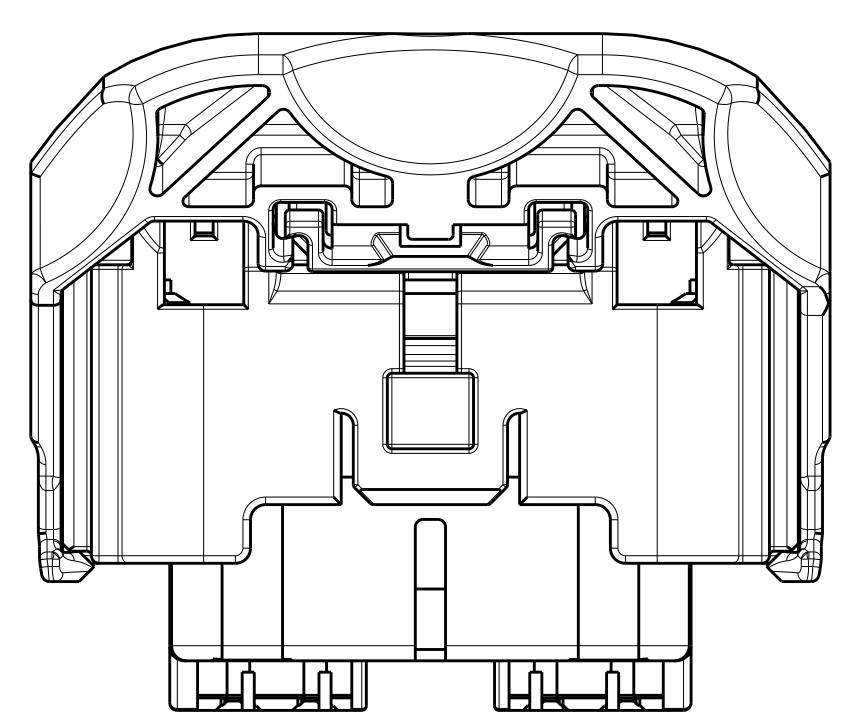


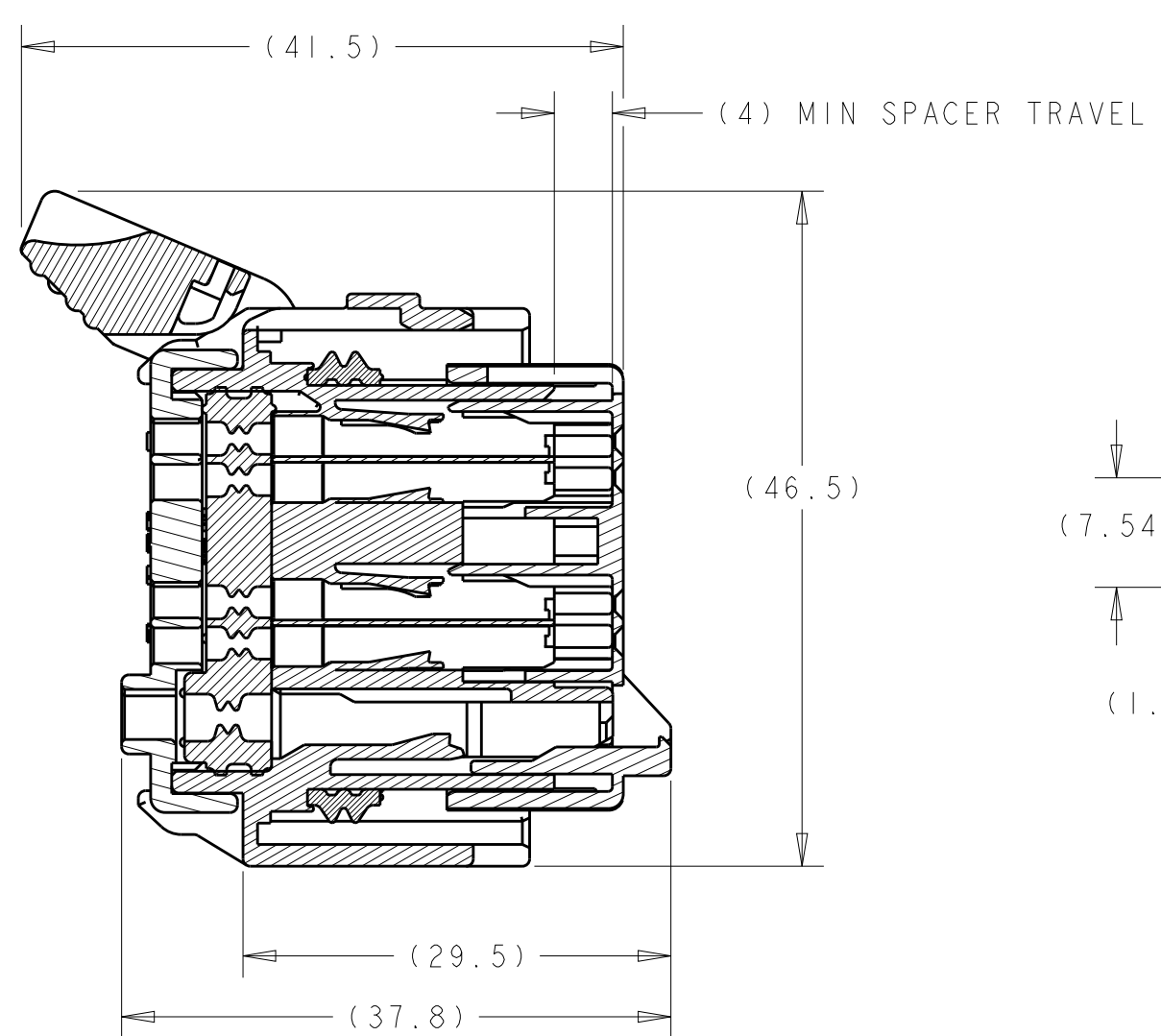
REVISIONS					
P.	LTN	DESCRIPTION	DATE	DWN	APVD
F32		REVISED PER ECO-16-003418	08MAR2016	DLD	DCM
F33		REVISED PER ECO-16-018427	25JAN2017	DLD	DCM
F34		REVISED PER ECO-17-007768	30MAY2017	DLD	DCM
F35		REVISED PER ECO-17-014872	24OCT2017	JMS	CM



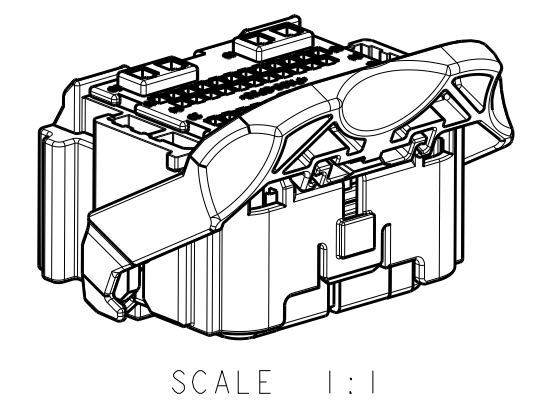
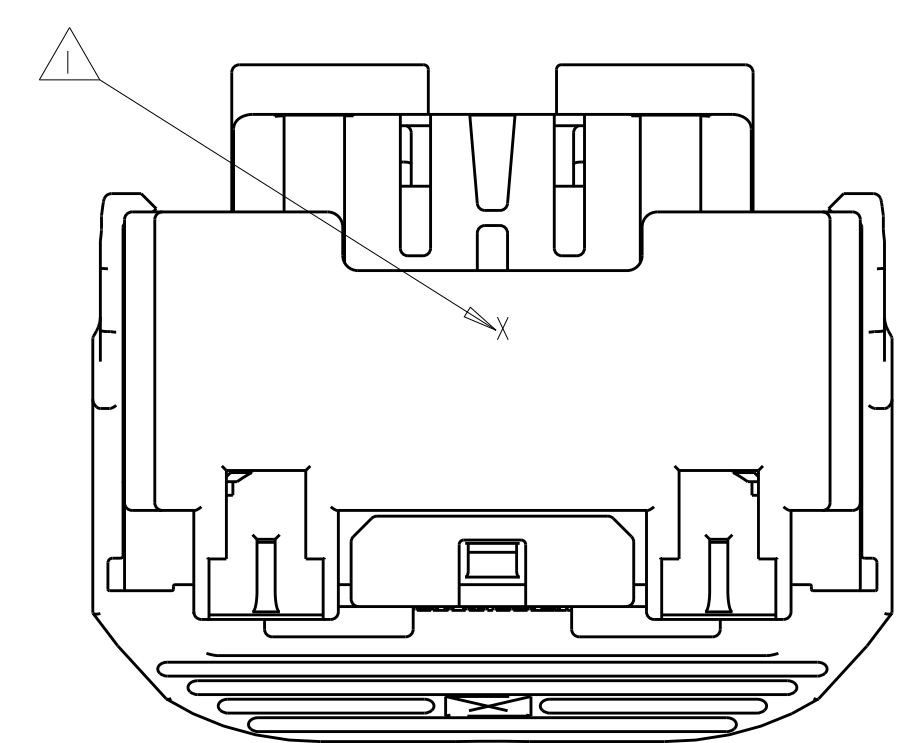
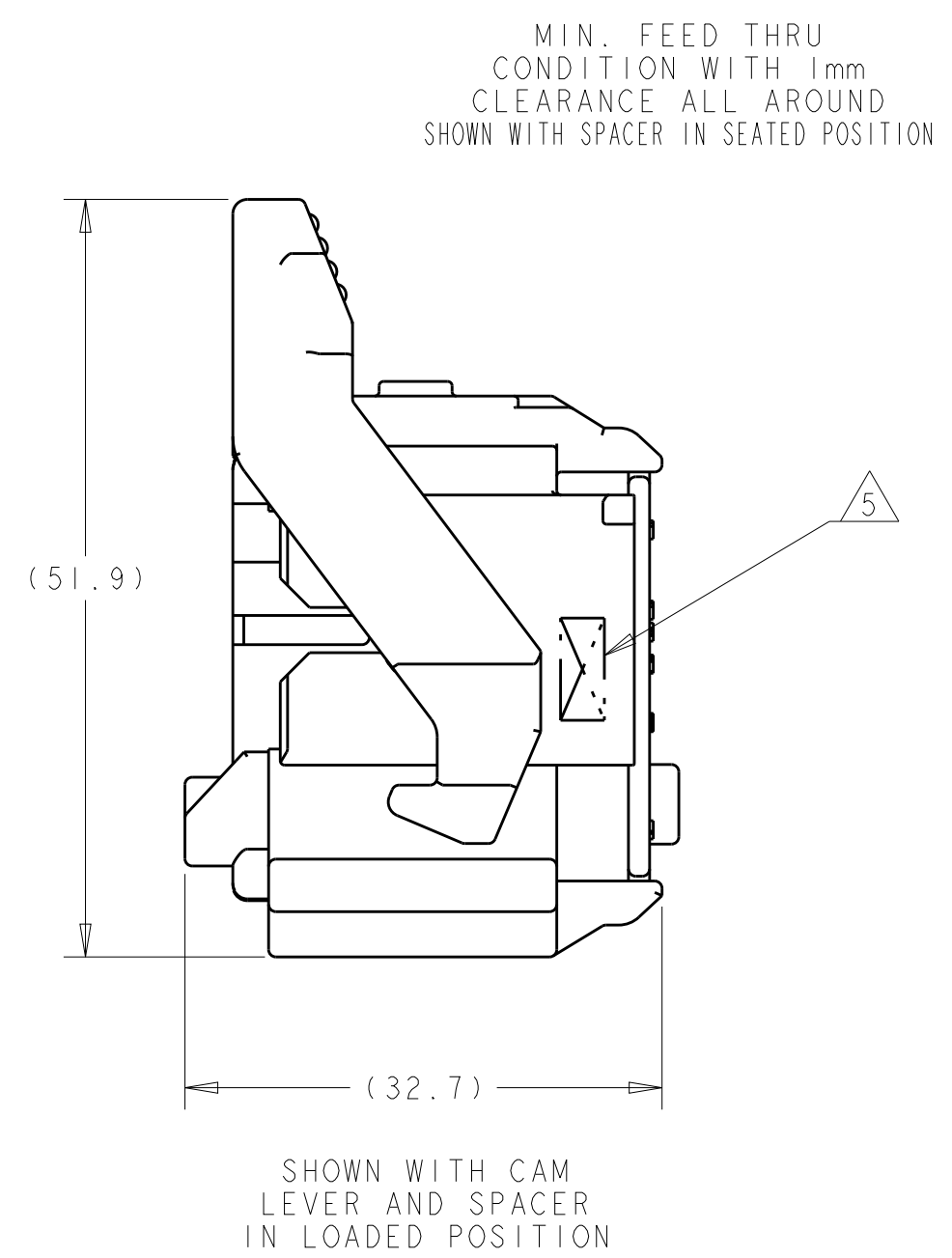
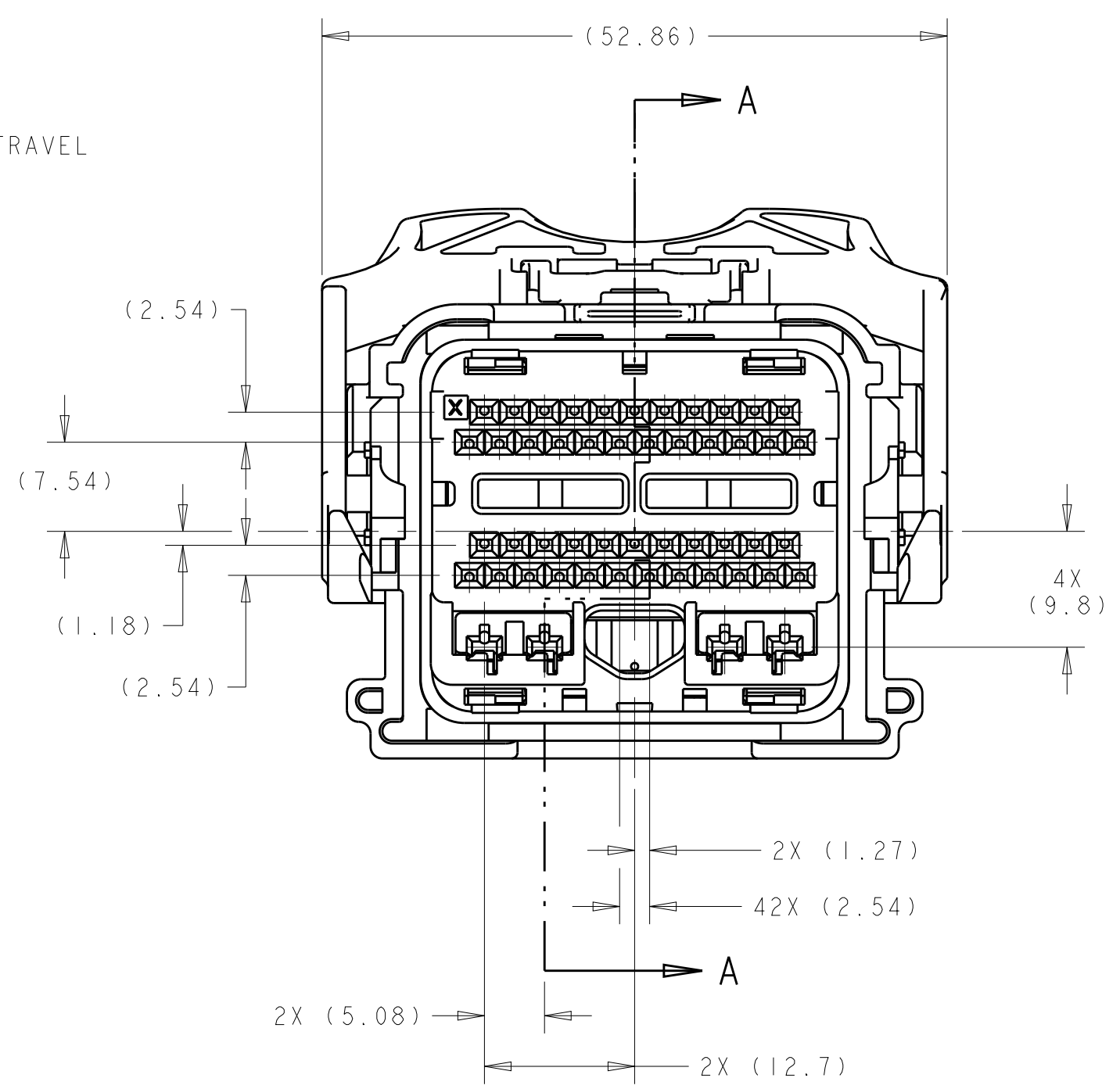
1438129-1
SHOWN WITH SPACER
IN SEATED POSITION



- 1. PRINT PART NUMBER (5S4T-14A464-L*-***, 5S4T-14A464-M*-***, 5S4T-14A464-N*-***) AND TRACEABILITY (YY : 2 DIGIT YEAR, JJJ = JULIAN DATE, HH = 2 DIGIT MILITARY HOUR CODE IN THE LOCATION AT ASSEMBLY. SEE SHEET 3 THRU 7 (-*) PART NUMBERS.
- 2. APPLICABLE MOLEX (1.5) POWER TERMINAL PART NUMBERS:
33012-0002 TIN 0.50-1.50mm²
- 3. CAM LEVER AND SPACER ARE SHIPPED IN THEIR PRE-ASSEMBLED POSITIONS.
- 4. REFERENCE TO CONNECTIVITY INSTRUCTION SHEET 408-8893.
- 5. COMPANY LOGO.



SECTION A-A
SPACER AND LEVER IN
PRE-SEATED POSITION
(DELIVERY CONDITION)



SCALE 1:1

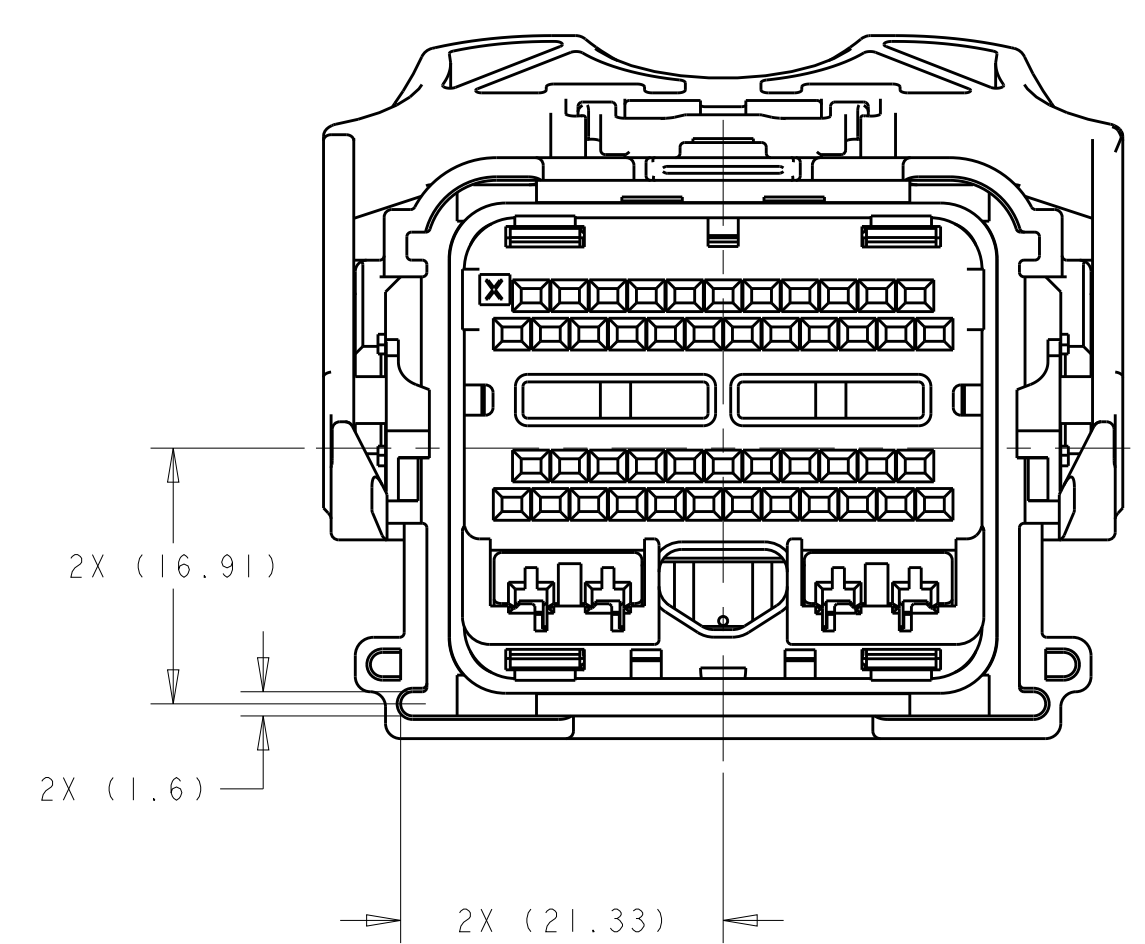
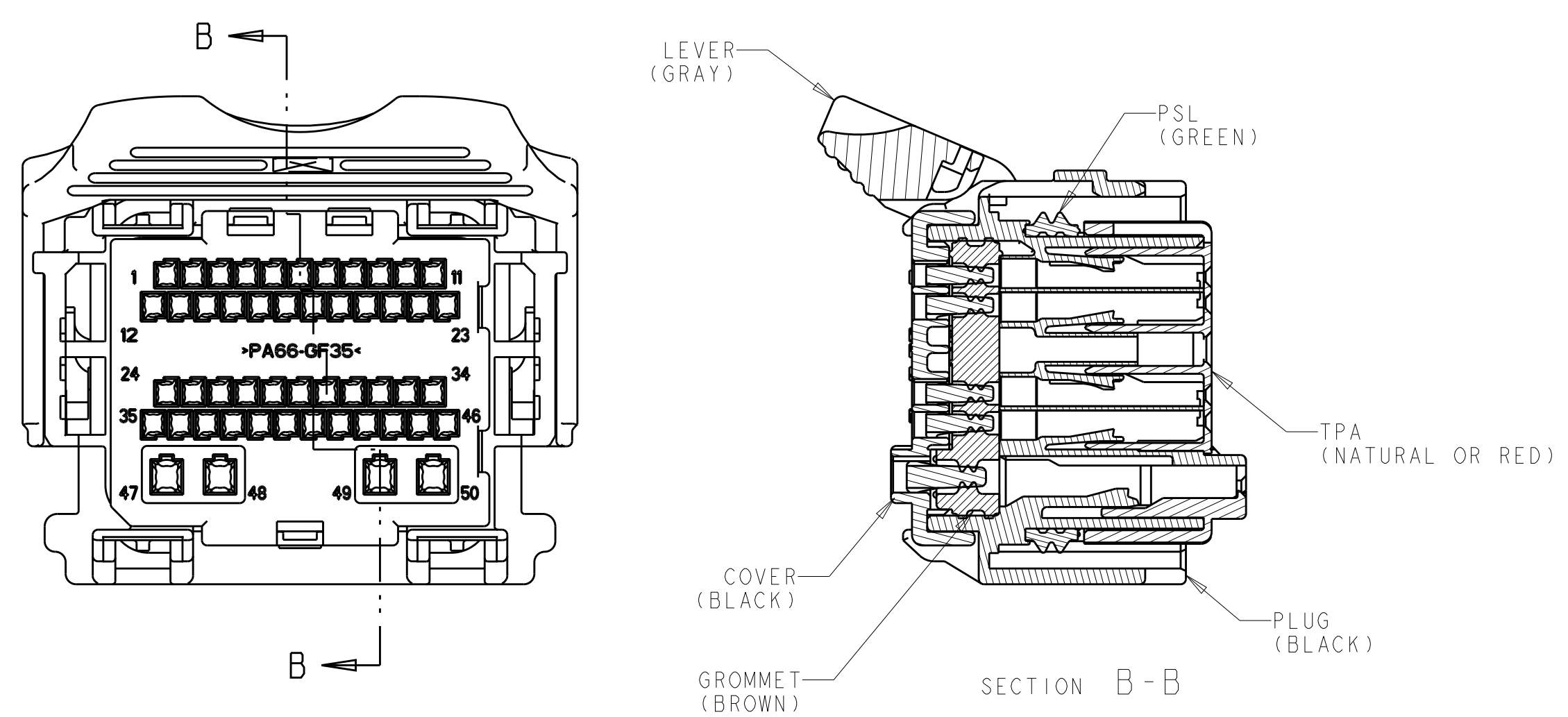
APPLICABLE COMPONENTS (FOR REFERENCE ONLY)						
DESCRIPTION	NOMINAL TERMINAL SIZE	COLOR/PLATING	FORD COMPONENT PART NUMBER	SUPPLIER PART NUMBER	MATERIAL/SPECIFICATION NUMBER	SAE WIRE SIZE
TERMINAL - FEMALE (Ag)	0.64 (CAT. 0)	SILVER	7S4T-14474-AA	I393366-2	COPPER ALLOY/SILVER PLATE	20AWG
TERMINAL - FEMALE (Ag)	0.64 (CAT. 0)	SILVER	7S4T-14474-BA	I393367-2	COPPER ALLOY/SILVER PLATE	18AWG
TERMINAL - FEMALE (Sn)	0.64 (CAT. 0)	TIN	1L2T-14474-AA	I393366-1	COPPER ALLOY/TIN PLATE	20AWG
TERMINAL - FEMALE (Sn)	0.64 (CAT. 0)	TIN	1L2T-14474-BA	I393367-1	COPPER ALLOY/TIN PLATE	22AWG
TERMINAL - FEMALE (Au)	0.64 (CAT. 0)	GOLD	1L2T-14474-CA	I393365-1	COPPER ALLOY/GOLD PLATE	20AWG
TERMINAL - FEMALE (Au)	0.64 (CAT. 0)	GOLD	1L2T-14474-DA	I393364-1	COPPER ALLOY/GOLD PLATE	18AWG
TERMINAL - FEMALE (Au)	0.64 (CAT. 0)	GOLD	1L2T-14474-DA	I393364-1	COPPER ALLOY/GOLD PLATE	22AWG

ANY DESIGN CHANGES ON THIS ASSEMBLY MAY ALSO BE REQUIRED ON ASSEMBLY DRAWING 1438691

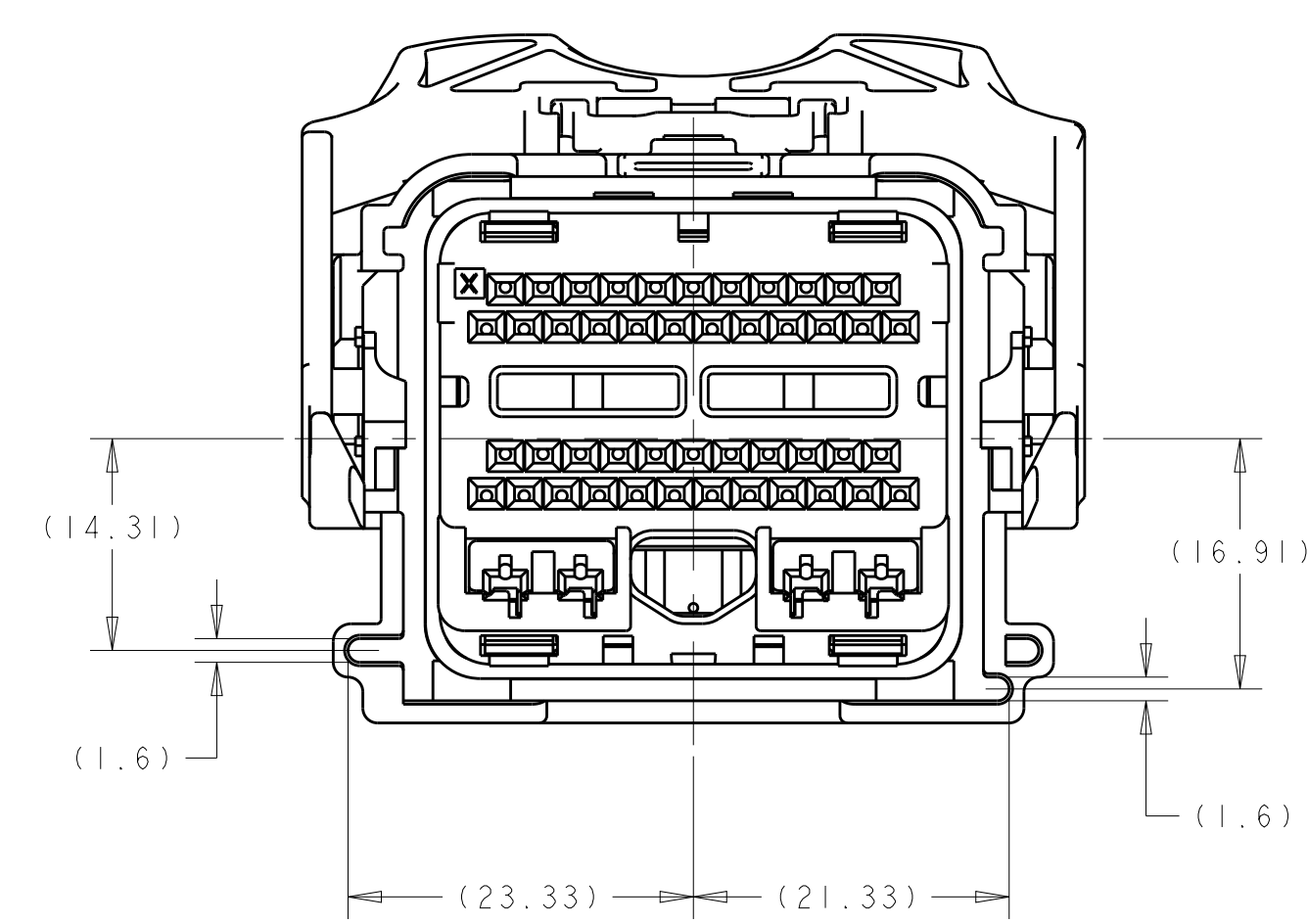
SEE TABLES
SHEETS 3 THRU 7
PART NUMBER

THIS DRAWING IS A CONTROLLED DOCUMENT.		DWN: R. VESTAL 15APR2005	
DIMENSIONS: mm		CHK: T. VALASEK 15APR2005	
TOLERANCES UNLESS OTHERWISE SPECIFIED:		APVD: T. VALASEK 15APR2005	NAME: 50-WAY HARNESS ASSEMBLY, PCM
0 PLC ± 1 PLC ±0.3 2 PLC ±0.10 3 PLC ± 4 PLC ± ANGLES ±1°		PRODUCT SPEC: -	SIZE: A100779
MATERIAL: -		APPLICATION SPEC: -	CAGE CODE: C=1438129
FINISH: -		WEIGHT: -	RESTRICTED TO: -
CUSTOMER DRAWING		SCALE: 1:1	SHEET 1 OF 10 REV: F35

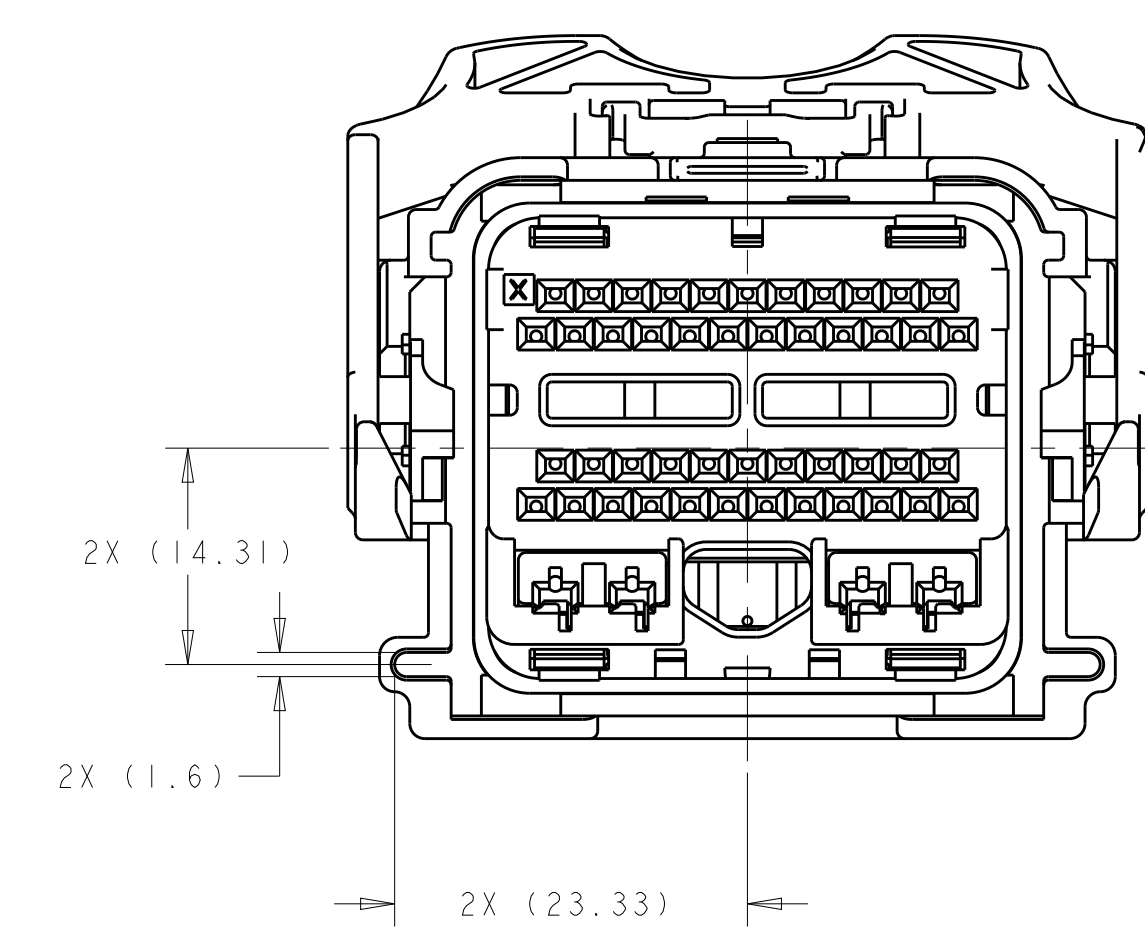
REVISIONS				
P.	LTN.	DESCRIPTION	DATE	APPV.
-	-	SEE SHEET 1	-	-



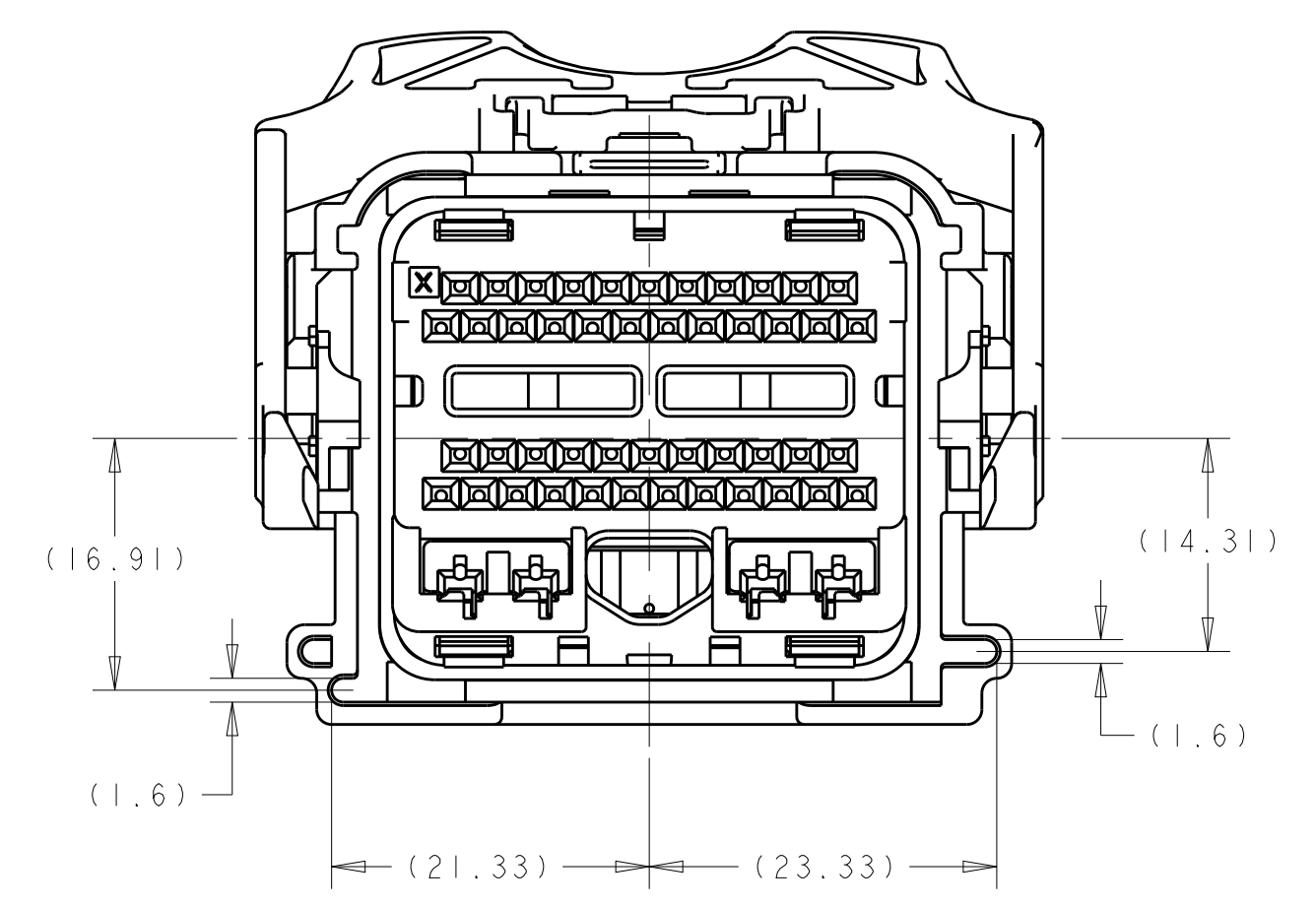
1438129-1
KEYING OPTION "A"



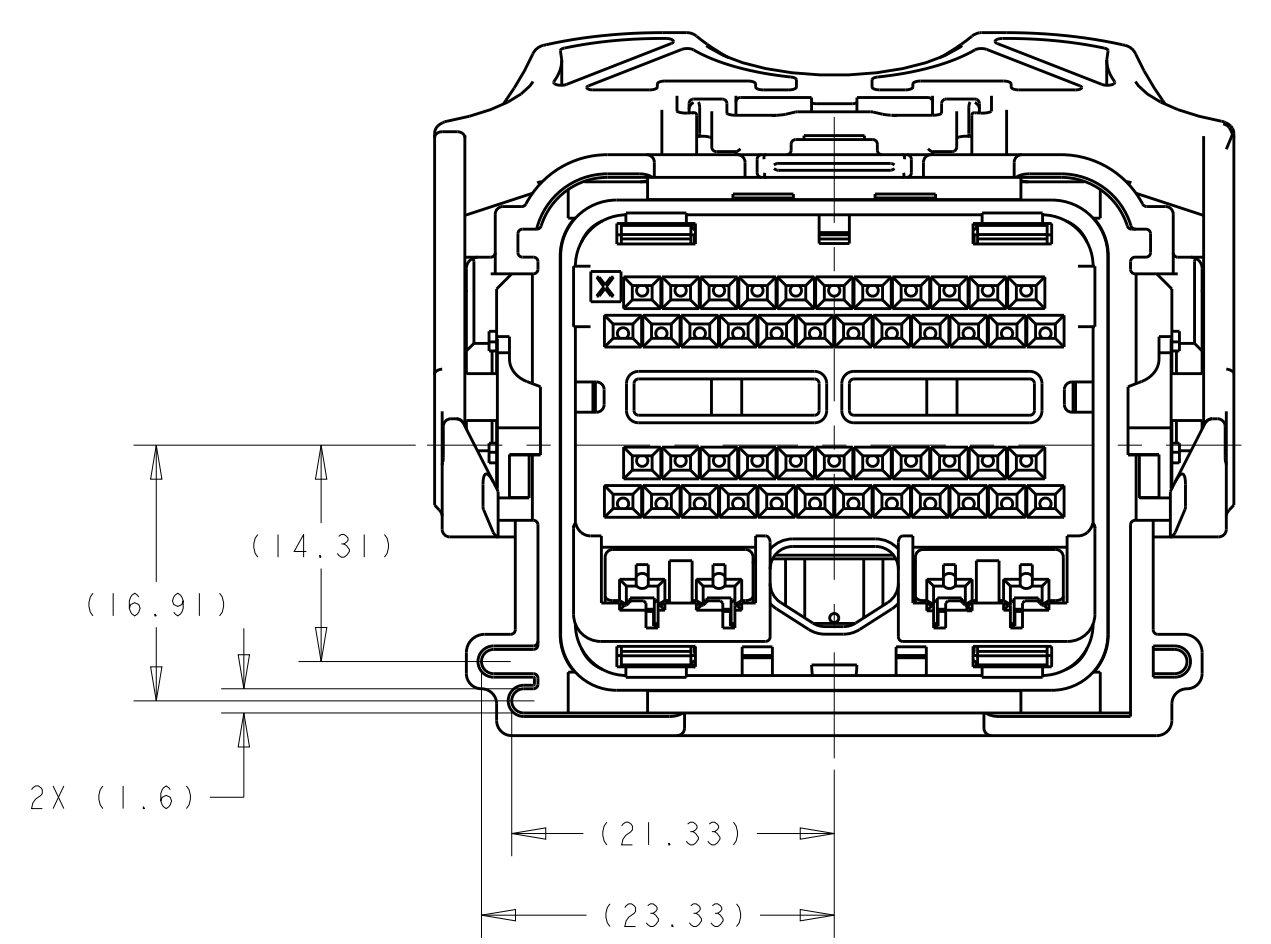
1438129-2
KEYING OPTION "B"



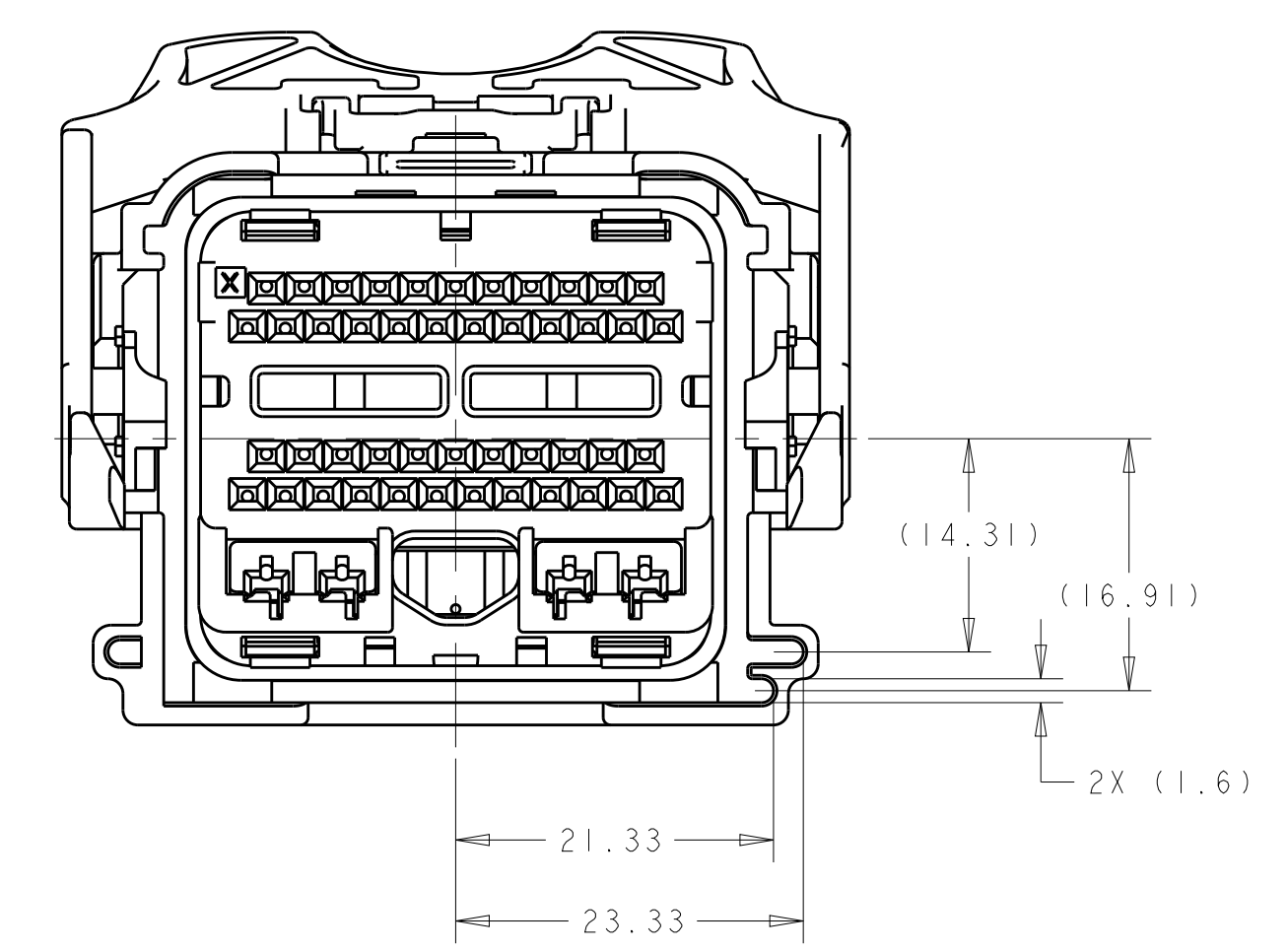
1438129-3
KEYING OPTION "C"




1438129-4
KEYING OPTION "D"



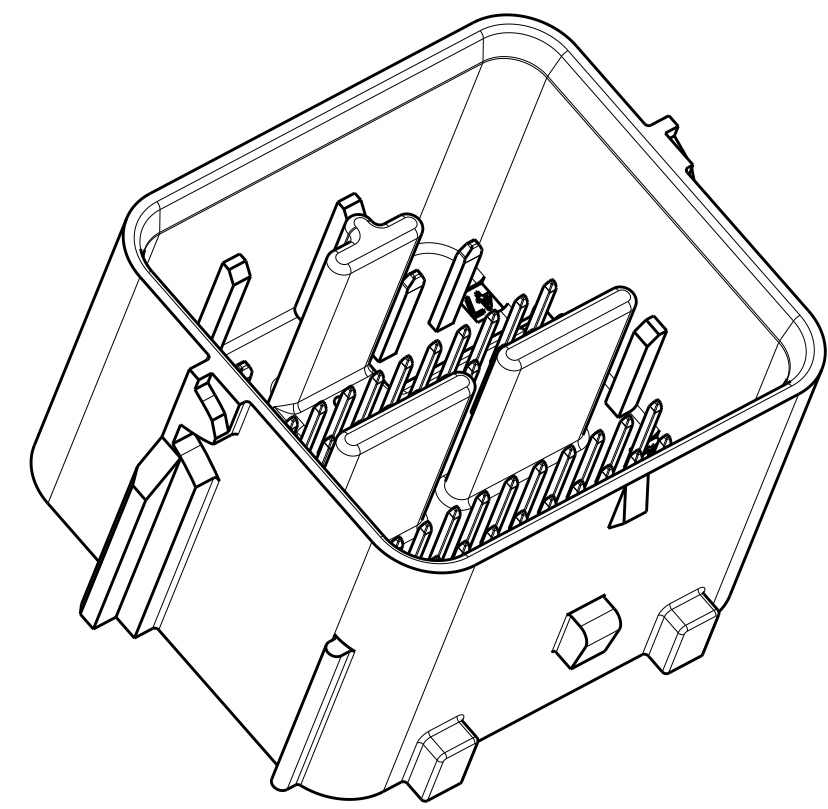
1438129-5
KEYING OPTION "E"



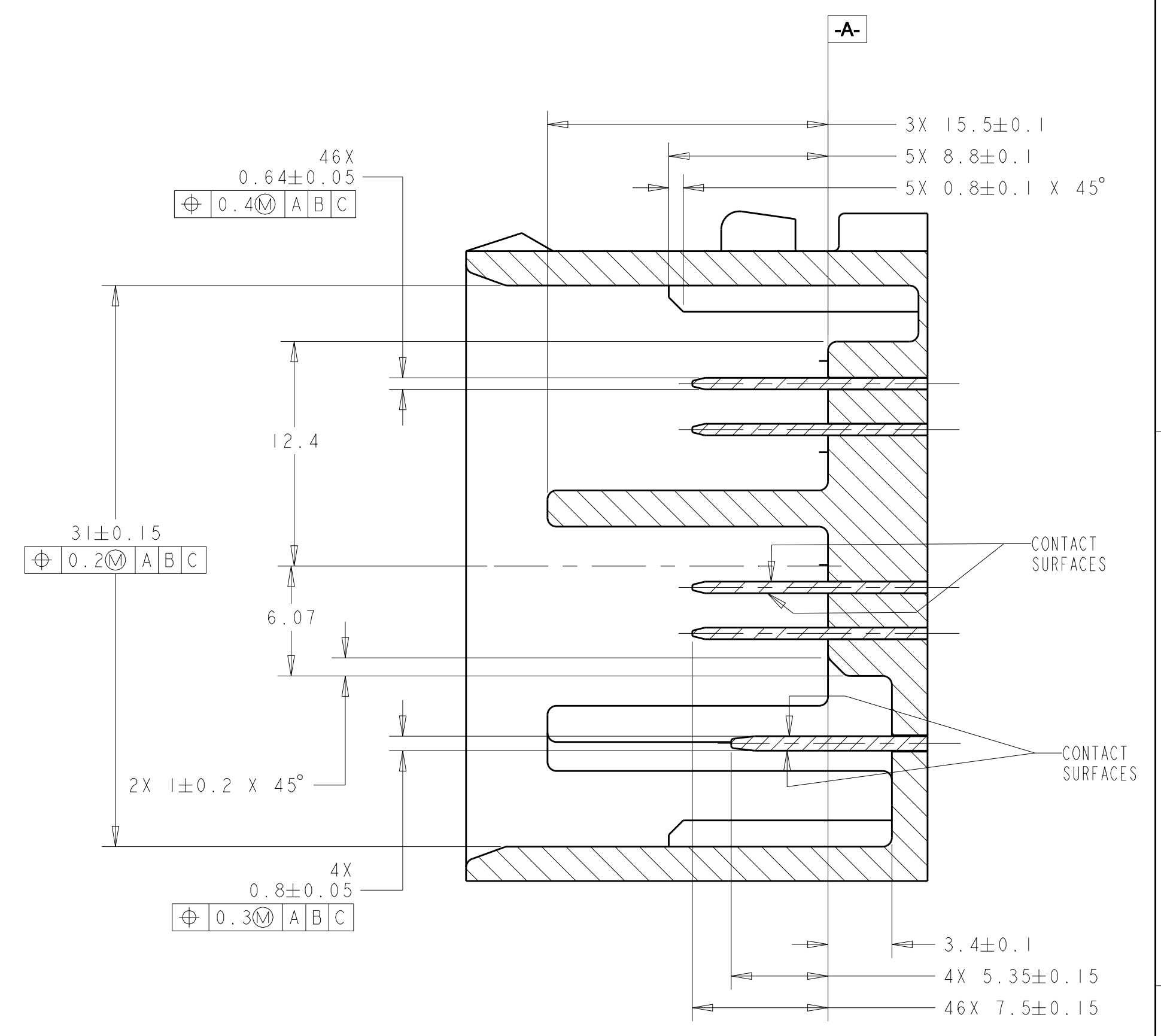
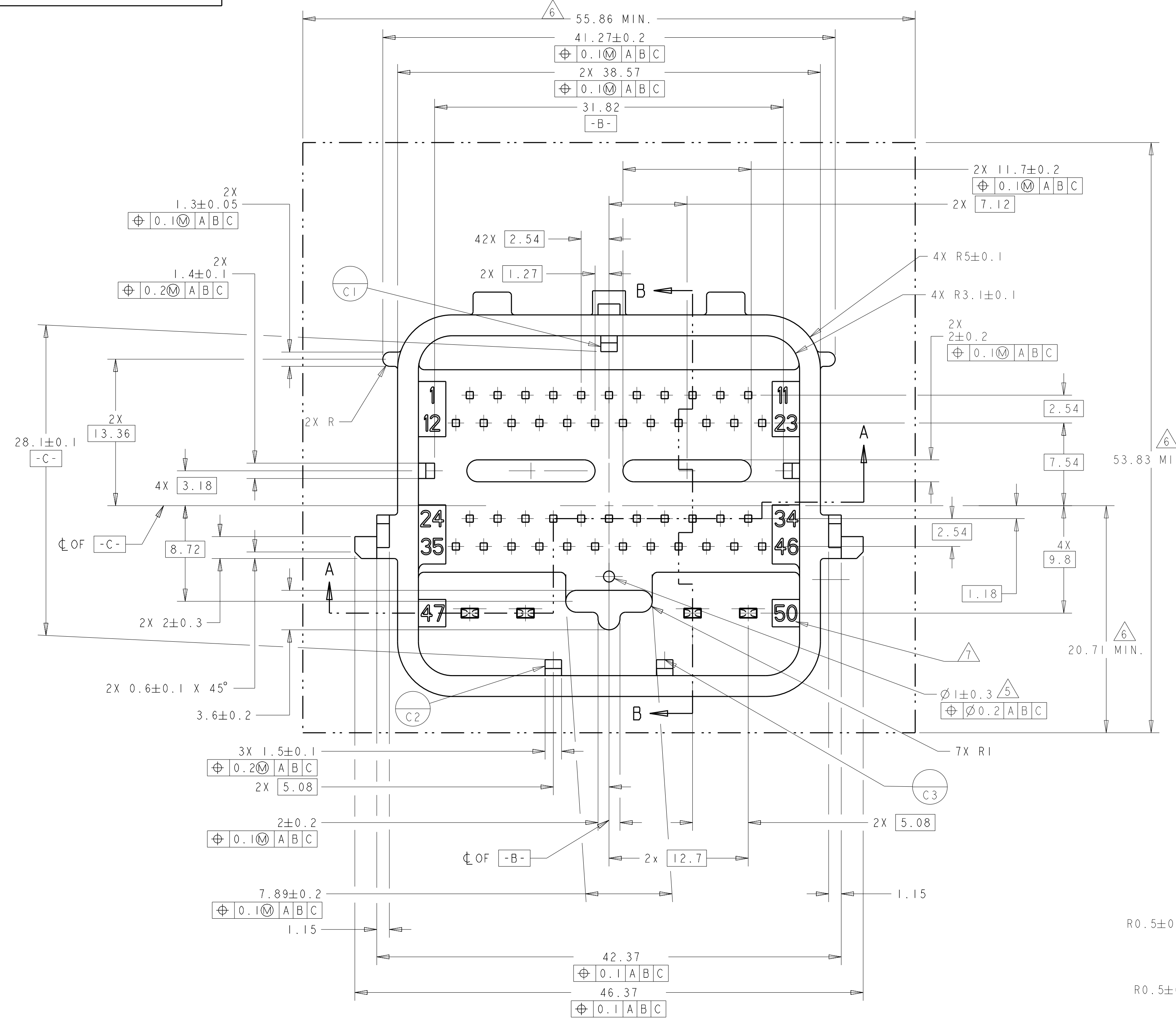
1438129-6
KEYING OPTION "F"

THIS DRAWING IS A CONTROLLED DOCUMENT.		OWN: R. VESTAL 15APR2005	 TE Connectivity
DIMENSIONS: mm		CHK: T. VALASEK 15APR2005	
TOLERANCES UNLESS OTHERWISE SPECIFIED:		APVD: T. VALASEK 15APR2005	NAME: 50-WAY HARNESS ASSEMBLY, PCM
0 PLC ±	1 PLC ±0.3	PRODUCT SPEC	SIZE: CAGE CODE: DRAWING NO:
2 PLC ±0.10	3 PLC ±	APPLICATION SPEC	RESTRICTED TO
4 PLC ±	ANGLES ±	WEIGHT	A100779C=1438129
MATERIAL	FINISH	CUSTOMER DRAWING	SCALE: 2:1 SHEET 2 OF 10 REV: F35

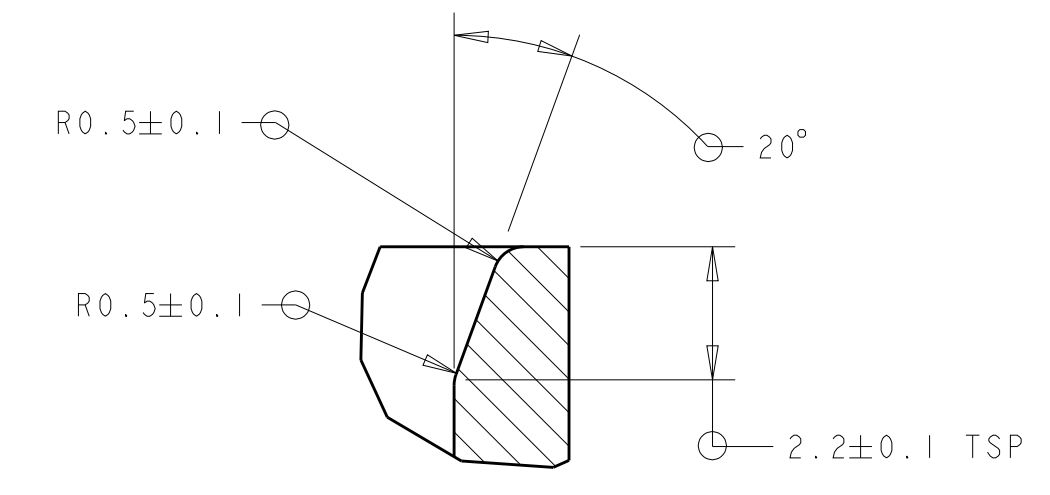
REVISIONS				
P.	LTN.	DESCRIPTION	DATE	APPV.
-	-	SEE SHEET 1	-	-



SCALE 2:1

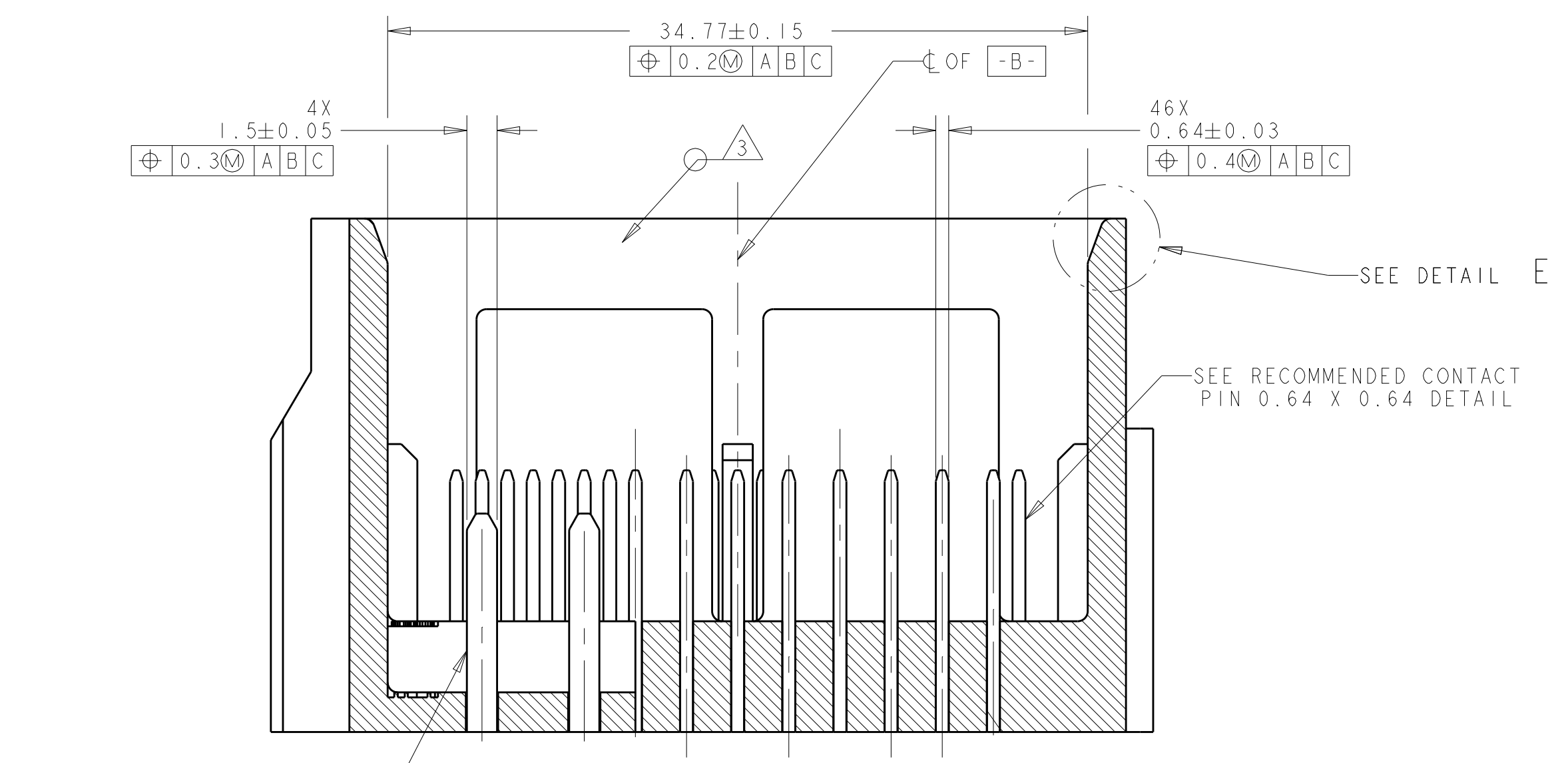


SECTION B-B



DETAIL E SCALE 8:1

- NOTES: UNLESS OTHERWISE SPECIFIED
- GENERAL TOLERANCE:
±0.3 ALL ONE PLACE DIMENSIONS
±0.10 ALL TWO PLACE DIMENSIONS
±1°00' ALL ANGULAR DIMENSIONS
 - DRAFT ANGLE PERMISSIBLE ONLY WITHIN DRAWING TOLERANCE.
 - SEALING SURFACE, NO WITNESS LINES OR DAMAGE PERMITTED.
 - ALL UNMARKED RADII TO BE 0.5 MAX., UNLESS OTHERWISE SPECIFIED.
 - VENT HOLE SIZE AND LOCATION IS OPTIONAL.
 - THIS AREA TO REMAIN CLEAR FOR THE HARNESS ASSEMBLY.
 - TERMINAL POSITION IDENTIFICATION.
 - MATES WITH TYCO ELECTRONICS PART NUMBERS 1438129-# & 1438950-#

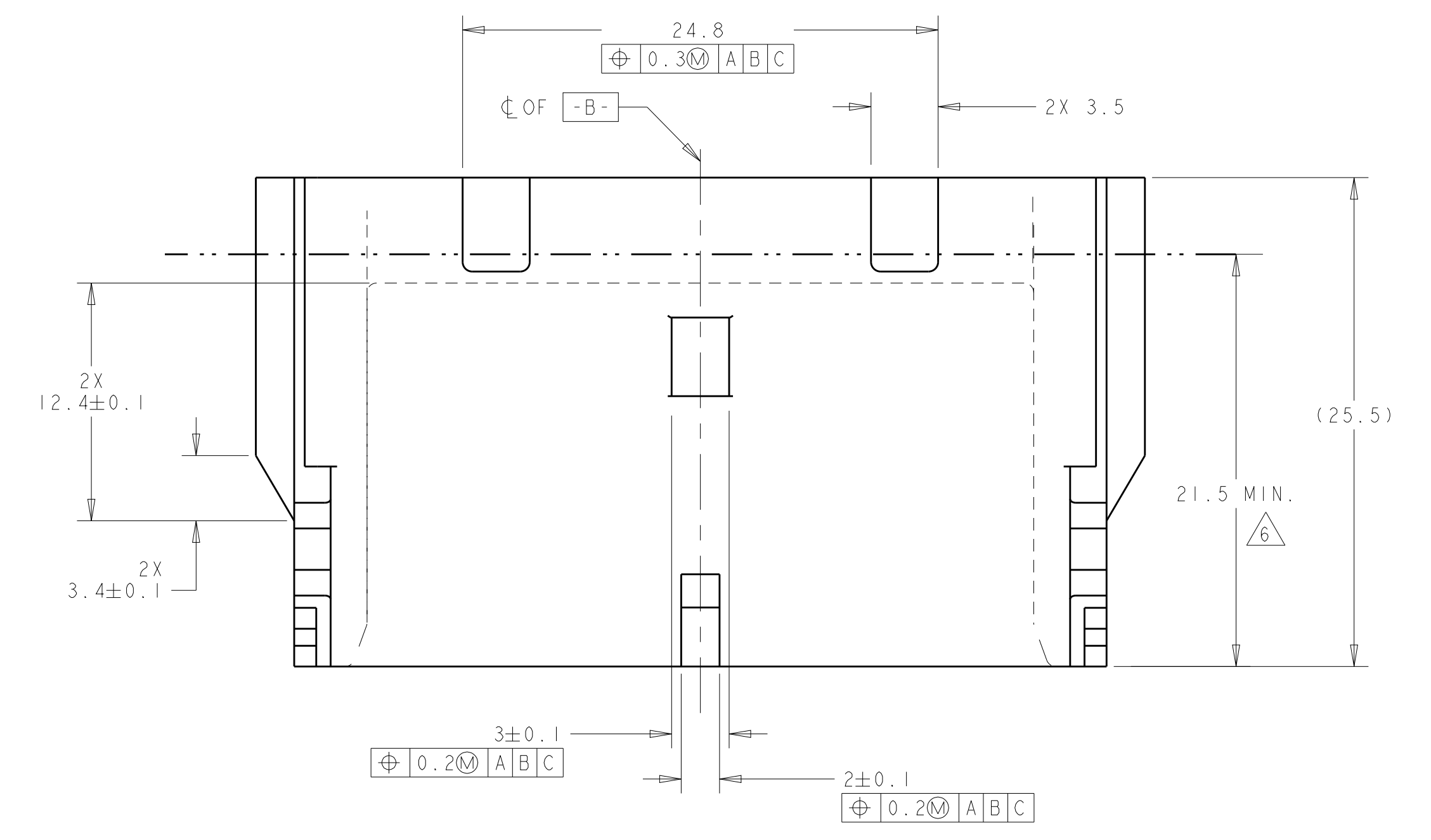
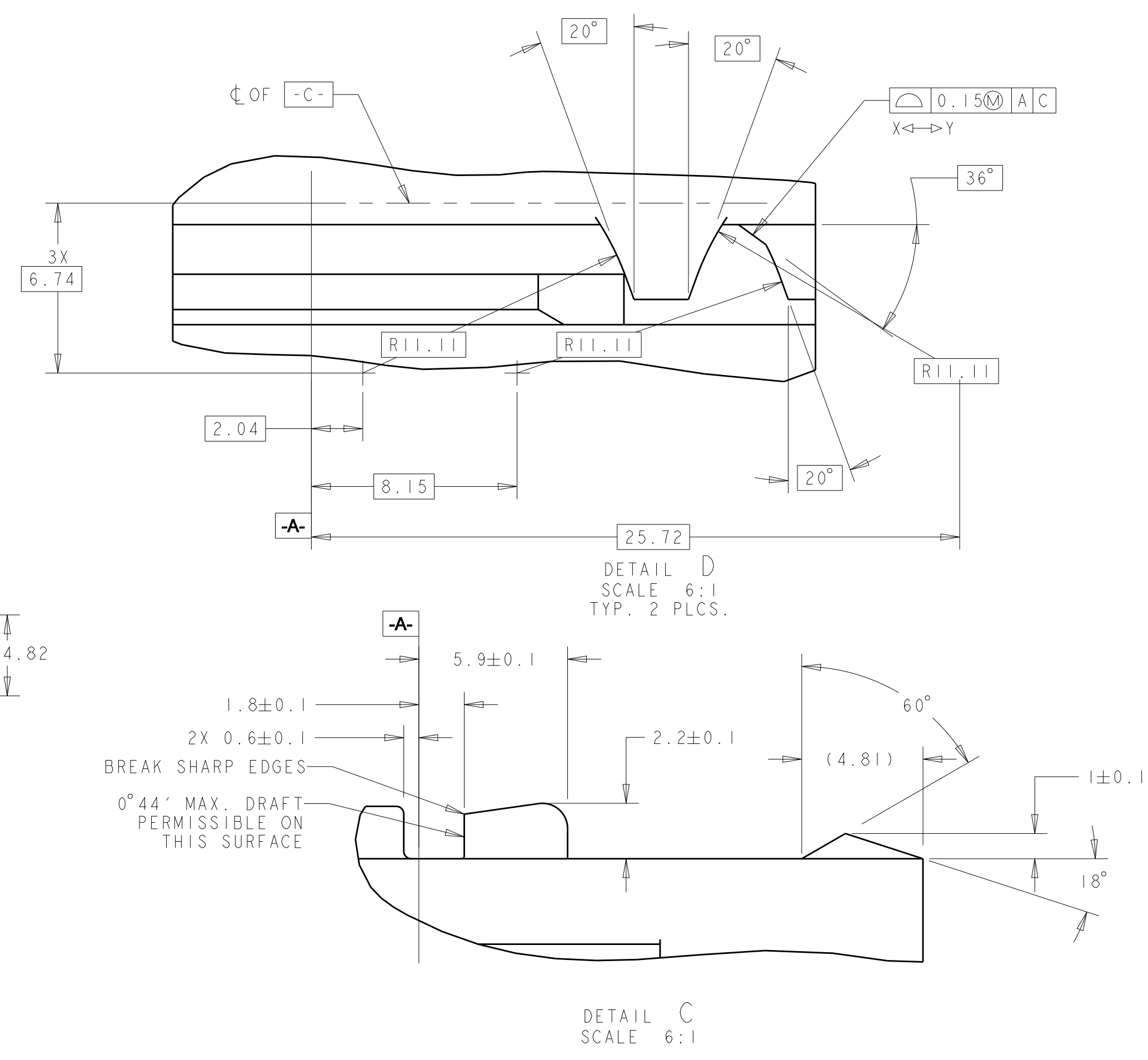
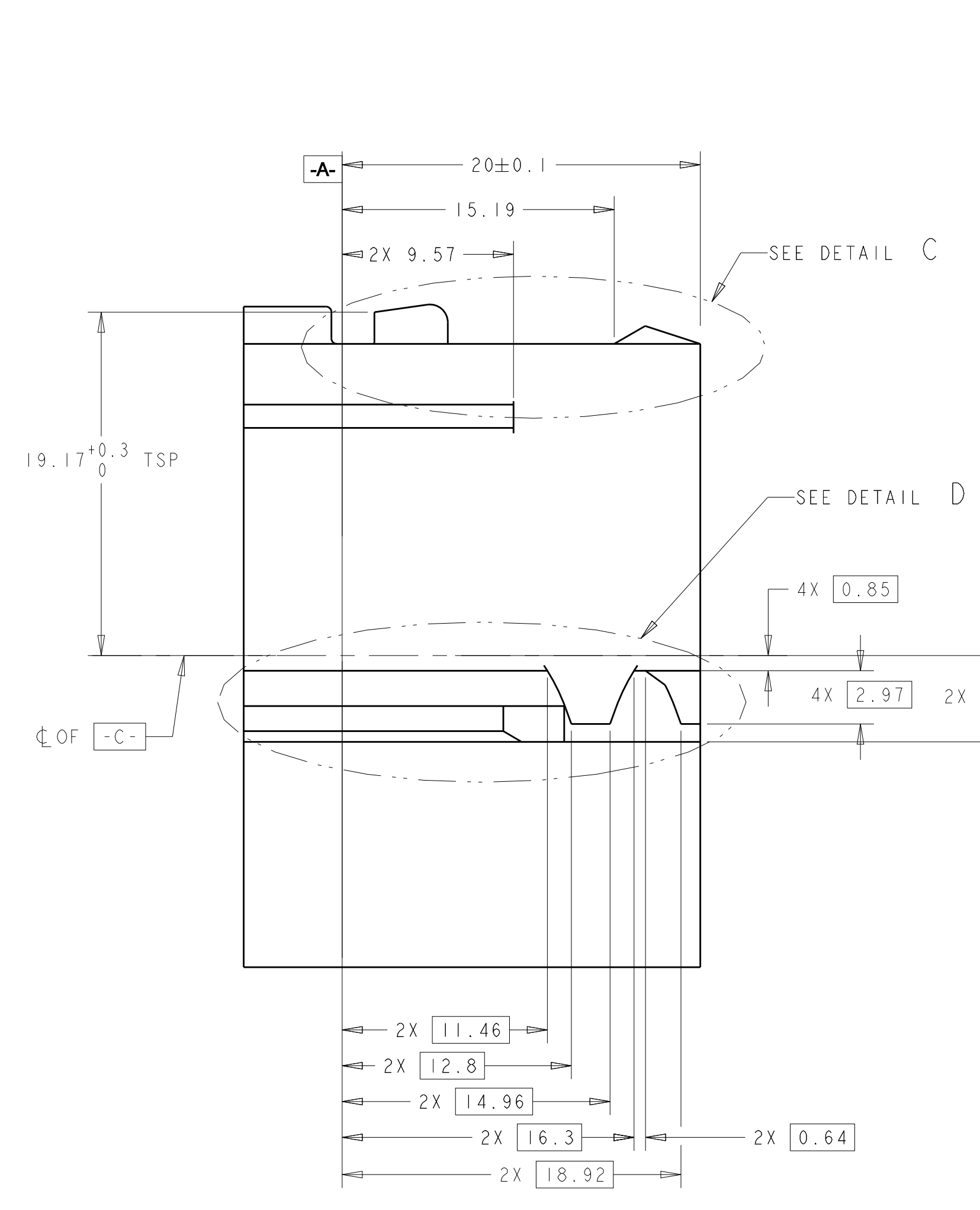
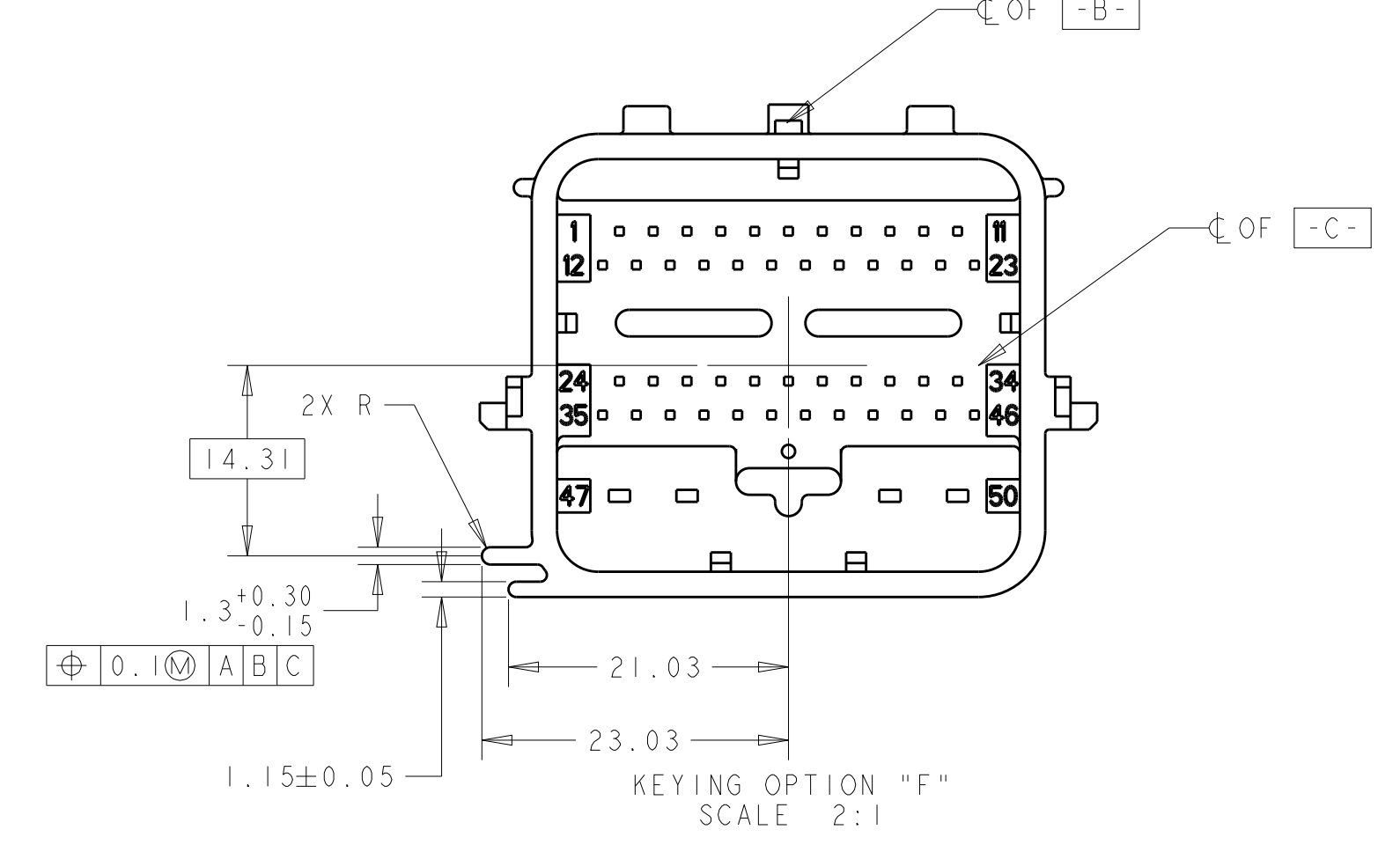
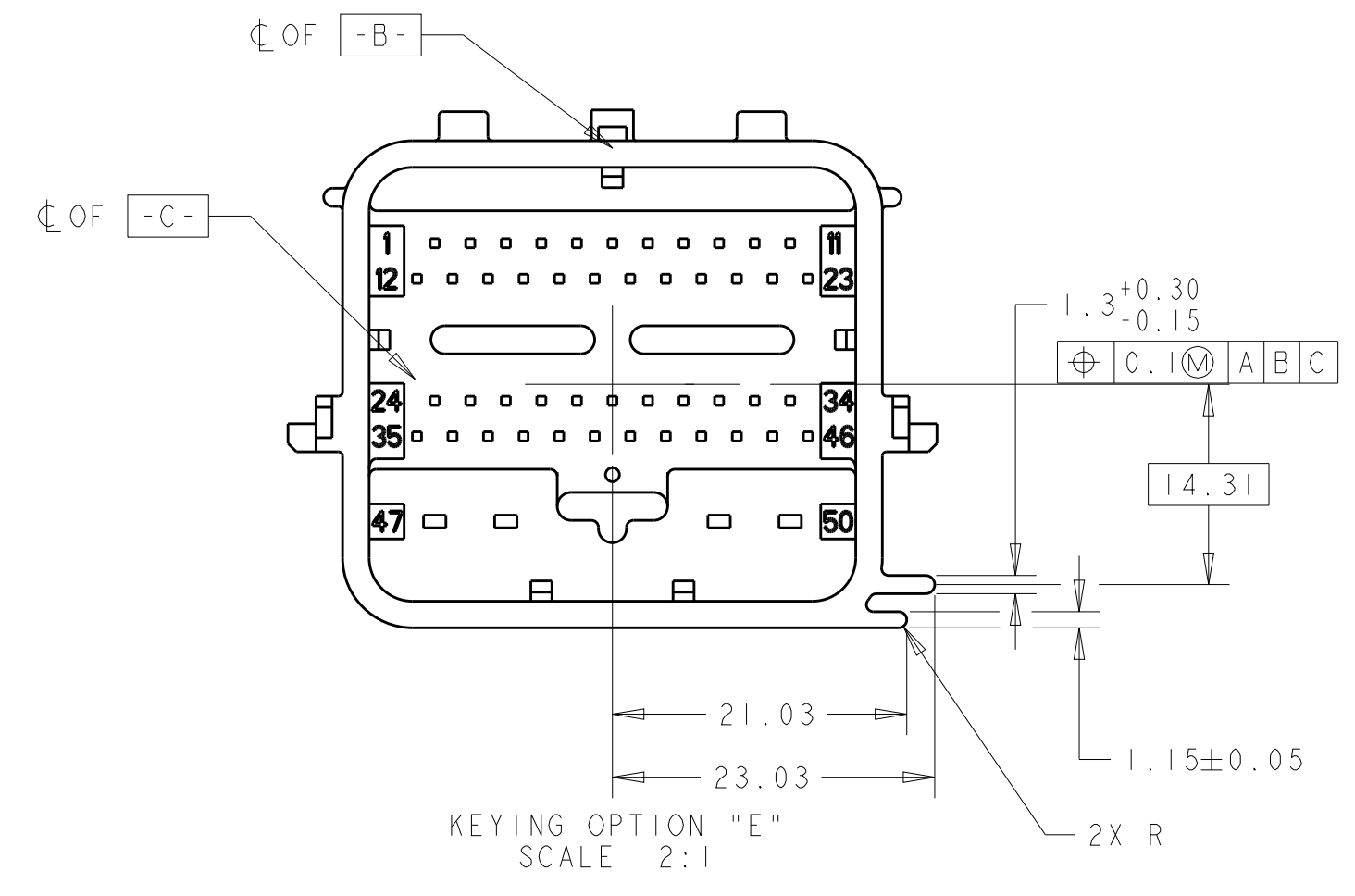
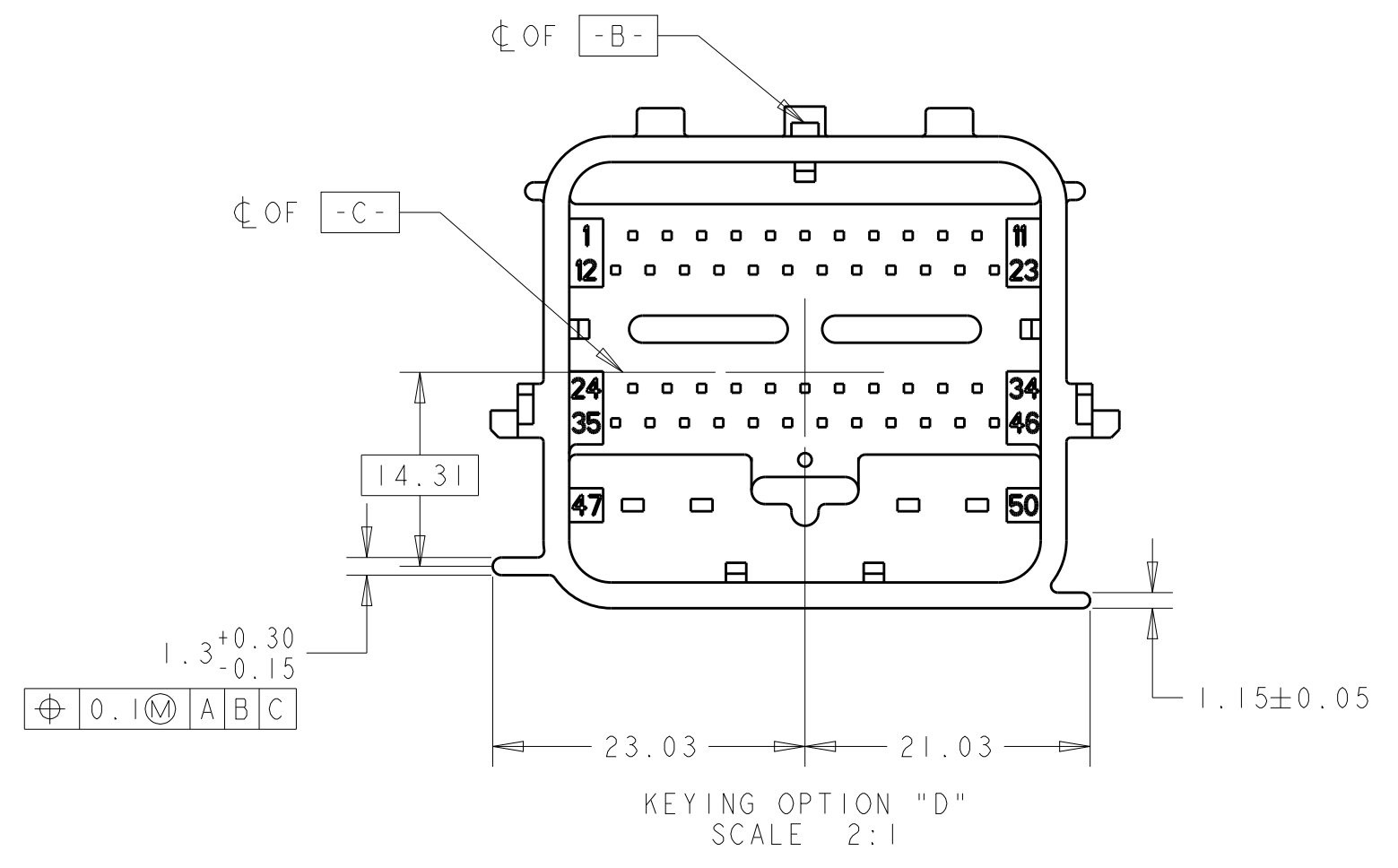
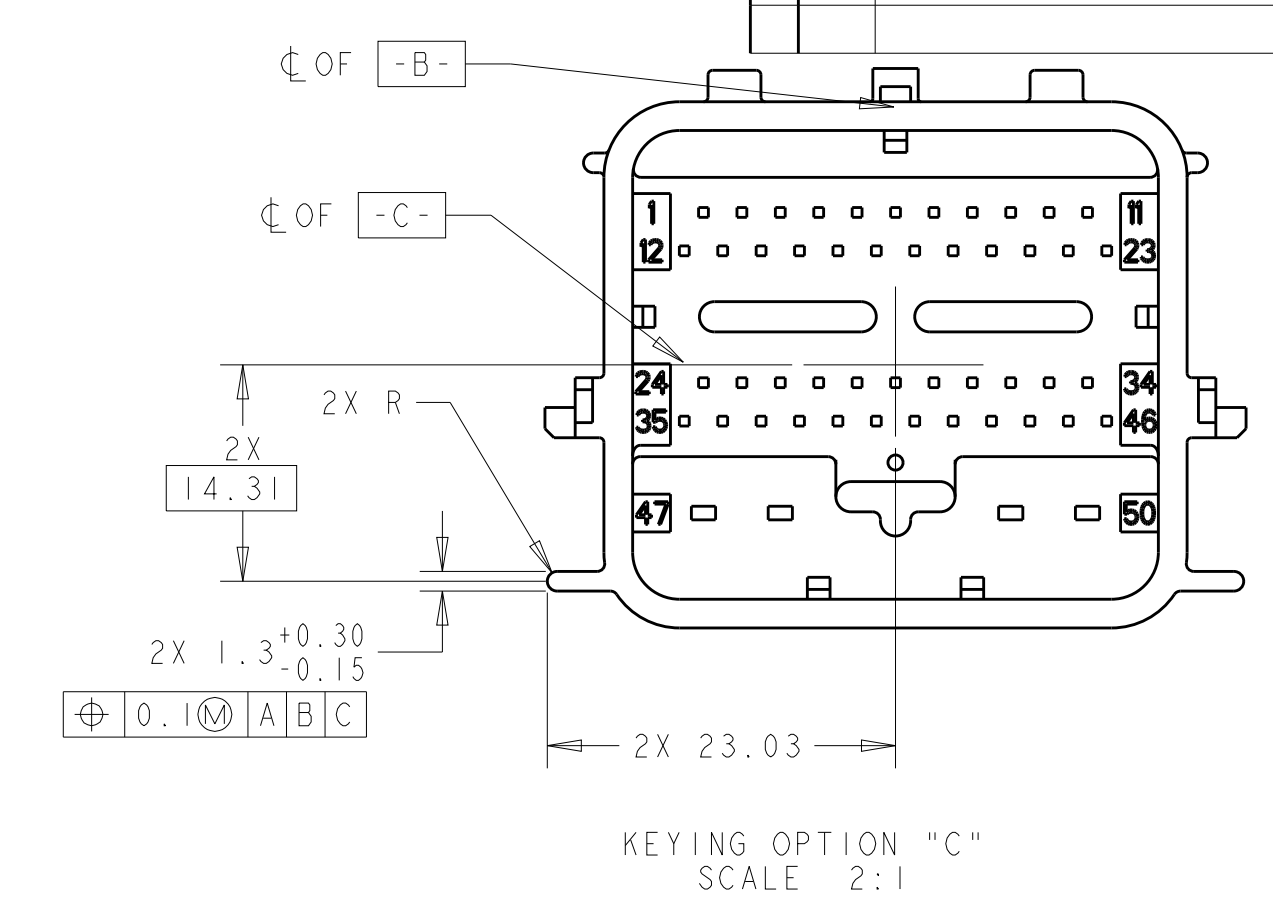
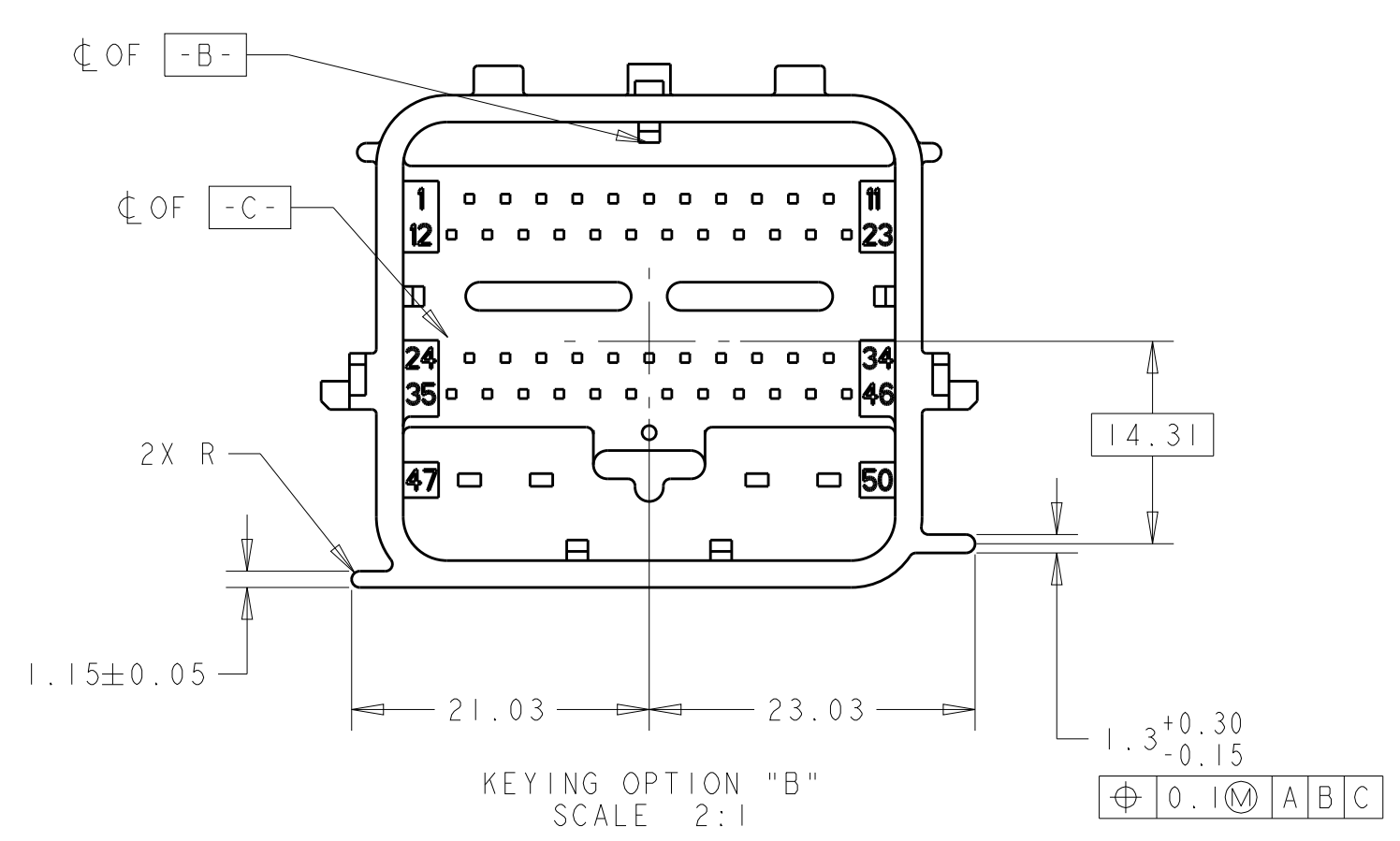
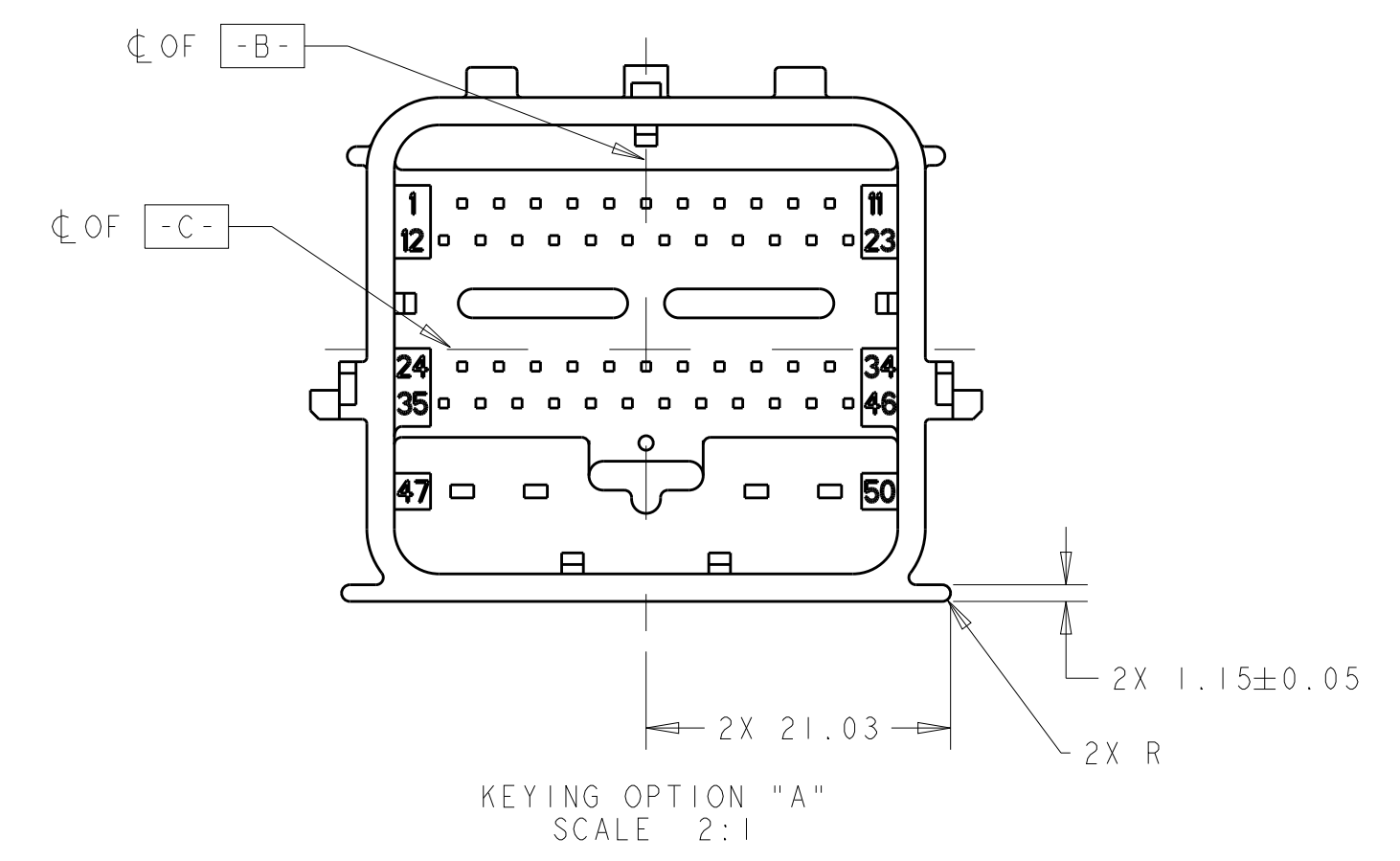


SECTION A-A

THIS DRAWING IS A CONTROLLED DOCUMENT.		OWN: R. VESTAL 15APR2005	TE Connectivity
DIMENSIONS: mm		CHK: T. VALASEK 15APR2005	
TOLERANCES UNLESS OTHERWISE SPECIFIED:		APPV: T. VALASEK 15APR2005	NAME: 50-WAY HARNESS ASSEMBLY, PCM
0 PLC ±0.3	1 PLC ±0.3	PRODUCT SPEC	SIZE: CAGE CODE DRAWING NO. RESTRICTED TO
2 PLC ±0.10	3 PLC ±0.10	APPLICATION SPEC	A100779C=1438129
4 PLC ±0.10	ANGLES ±1°	WEIGHT	SCALE: 1:1 SHEET 9 OF 10 REV: F35
MATERIAL	FINISH	CUSTOMER DRAWING	

HEADER INTERFACE KEYING OPTIONS

REVISIONS				
P.	LTN.	DESCRIPTION	DATE	OWN. APVD.
-	-	SEE SHEET 1	-	-



THIS DRAWING IS A CONTROLLED DOCUMENT.		OWN. R. VESTAL 15APR2005	TE Connectivity
DIMENSIONS: mm		CHK. T. VALASEK 15APR2005	
TOLERANCES UNLESS OTHERWISE SPECIFIED:		APVD. T. VALASEK 15APR2005	NAME 50-WAY HARNESS ASSEMBLY, PCM
0 PLC ± 1 PLC ±0.3 2 PLC ±0.10 3 PLC ± 4 PLC ± ANGLES ± FINISH ±		PRODUCT SPEC	SIZE CAGE CODE DRAWING NO. RESTRICTED TO
MATERIAL		WEIGHT	A100779C=1438129
CUSTOMER DRAWING		SCALE 1:1	SHEET 10 OF 10 REV F35

Mouser Electronics

Authorized Distributor

Click to View Pricing, Inventory, Delivery & Lifecycle Information:

[TE Connectivity:](#)

[4-1438129-4](#)