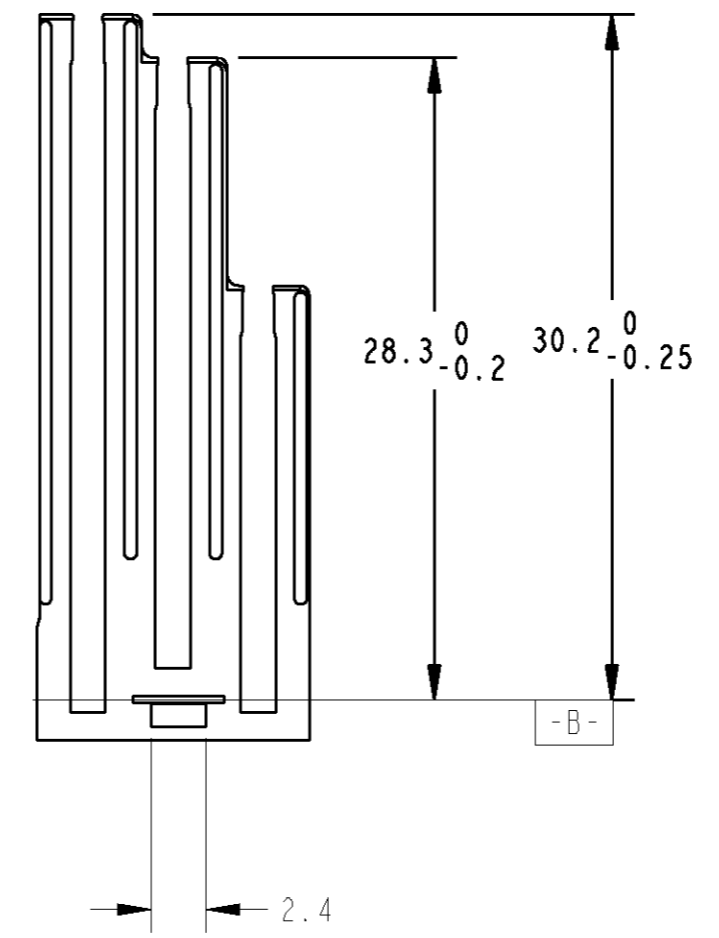
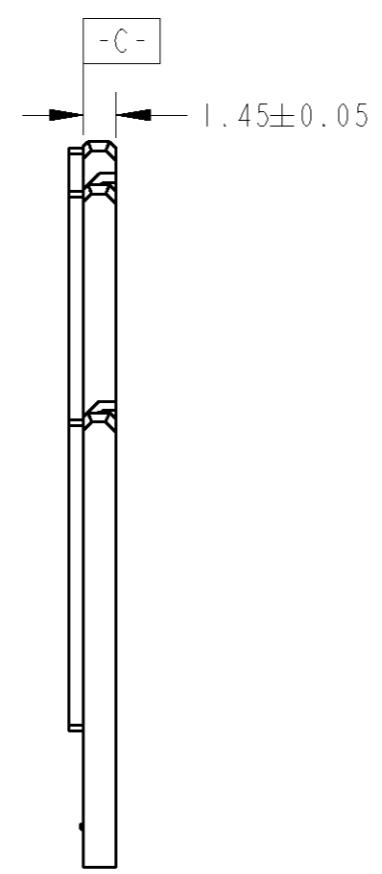
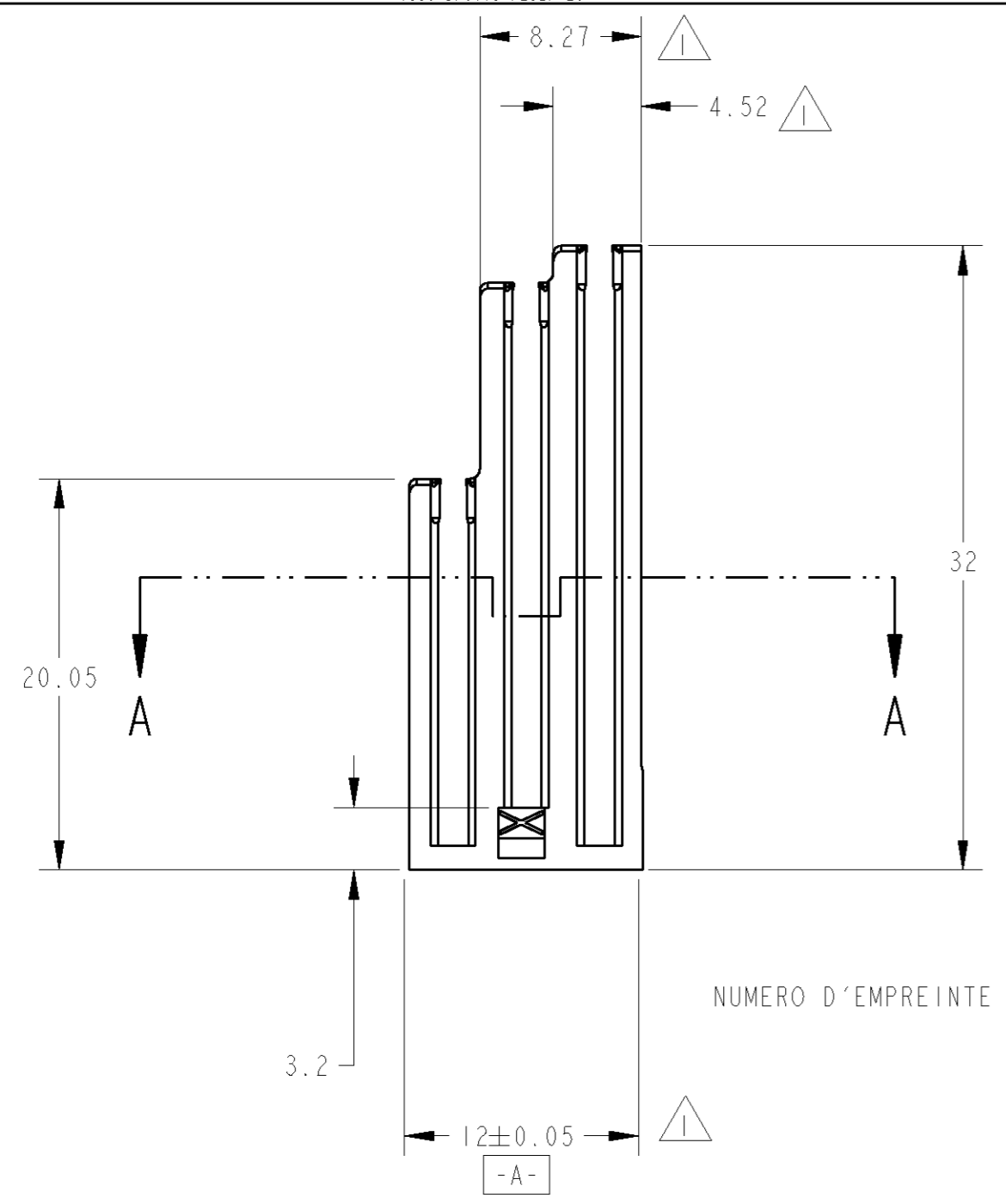
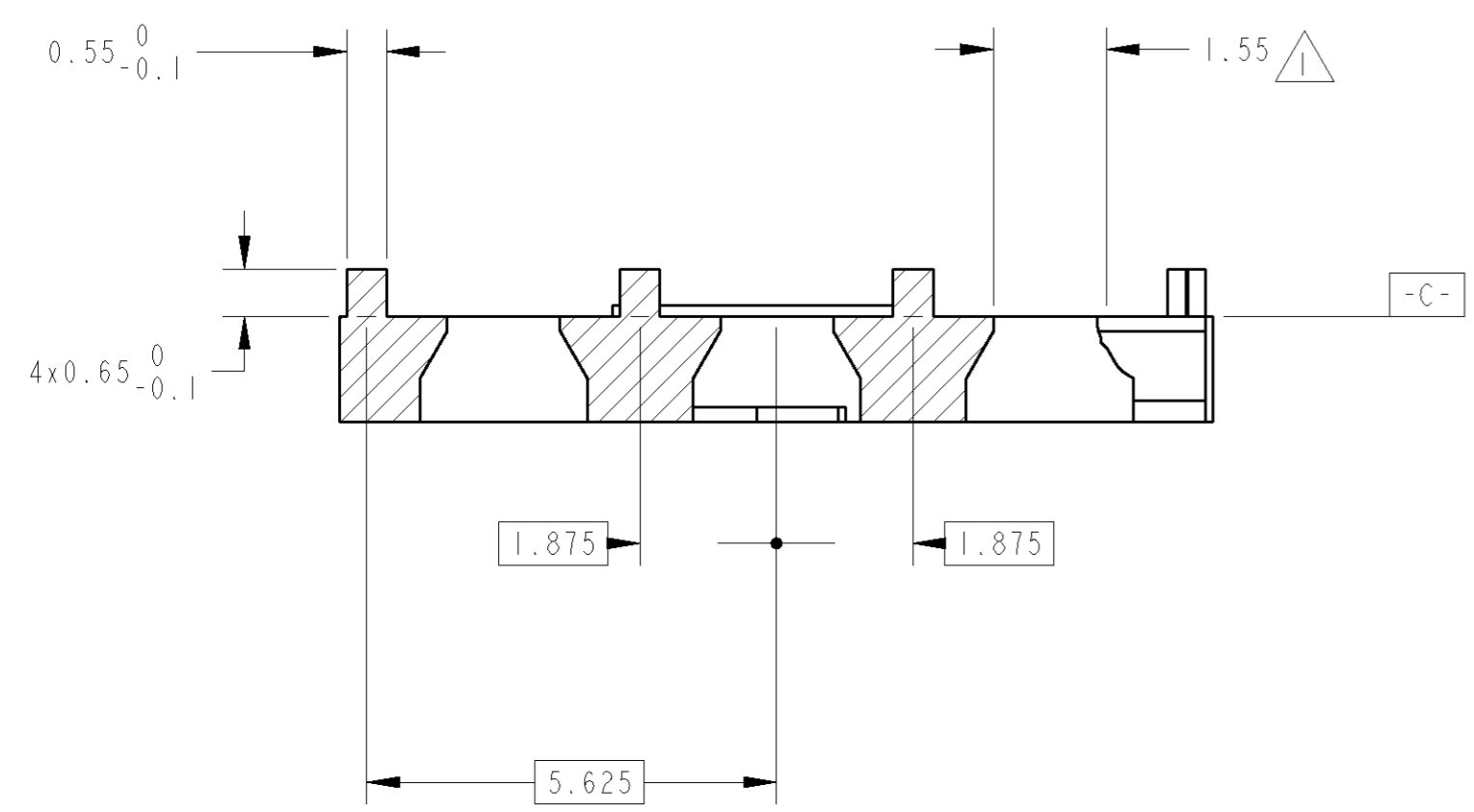


THIS DRAWING IS UNPUBLISHED. RELEASED FOR PUBLICATION
 DIFFUSION RESTREINTE LIBRE A LA DIFFUSION
 © COPYRIGHT 19 BY AMP INCORPORATED. ALL RIGHTS RESERVED.
 TOUS DROITS RESERVES.

LOC	DIST	REVISIONS					
F	14	P	LTR	DESCRIPTION MODIFICATIONS	DATE	DWN BESS.	APVD APP.
		A		DESIGN CHANGE	21SEP 98	RB	-
		B		YELLOW WAS NATURAL	20-OCT-98	RB	
		C		12±0.05 ETAIT 12 0/-0.15	08-DEC-98	RB	
		D		DESIGN CHANGE	17-JUN-99	JPP	



SECTION A-A
 SCALE 10:1



953047-1	PA 6-50% GF	YELLOW
AMP REF.	MATERIAL	COLOR
953047-1	PA 6-50% FV	JAUNE
REF. AMP	MATIERE	COULEUR

△ ADMISSIBLE NIPPING 0.6 PINCEMENT ADMISSIBLE 0.6

<small>THIS DRAWING IS A CONTROLLED DOCUMENT FOR AMP INCORPORATED. IT IS SUBJECT TO CHANGE AND THE CONTROLLING ENGINEERING ORGANIZATION SHOULD BE CONTACTED FOR THE LATEST REVISION. CE PLAN EST UN DOCUMENT CONTROLÉ PAR AMP INCORPORATED. IL EST SUSCEPTIBLE D'ÊTRE REVISÉ. CONTACTER LE SERVICE TECHNIQUE D'AMP DE FRANCE POUR OBTENIR LA DERNIÈRE REVISION.</small>		DWN / DESSINE Regis BONNET 9-jan-98 CHK / VERIFIE JP. PICAUD jan-98 APVD / APPROUVE JJ REVII jan-98	NAME TITRE MT SECONDARY LOCK FOR 31 WAYS HYBRID TIMER CONNECTOR VERROU SECONDAIRE MT POUR CONNECTIQUE 31 VOIES TIMER HYBRIDE
DIMENSIONS: mm	TOLERANCES UNLESS OTHERWISE SPECIFIED: TOLERANCES NON SPECIFIEES (SILLY NR DE DECIMALES) ± ±0.2 ± ANGLES FINISH FINITION	PRODUCT SPEC 108-15172 APPLICATION SPEC 411-15599 WEIGHT MASSE APPROX. 0.3gr	SIZE FORMAT A2 CAGE CODE 00779 DRAWING NO No PLAN C-953047
MATERIAL MATIERE SEE TABLE	SEE TABLE	CUSTOMER DRAWING / PLAN CLIENT	RESTRICTED TO RESERVE A - SHEET OF FEUILLE DE REV D

Mouser Electronics

Authorized Distributor

Click to View Pricing, Inventory, Delivery & Lifecycle Information:

[TE Connectivity:](#)

[953047-1](#)