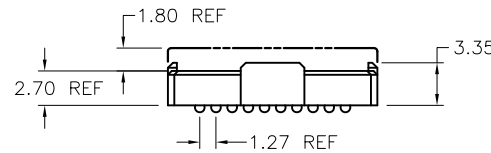
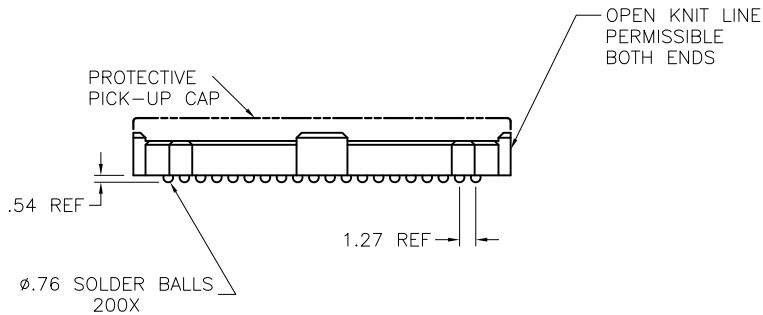


PRODUCT No.	PICK-UP CAP (NATURAL OR BLACK COLOR)	CONTACT PLATING AND THICKNESS	SOLDER BALL	NOTES
84517-001	YES	15u" (.38um) Au	SnPb	
84517-001LF	YES	15u" (.38um) Au	LEAD FREE	6
84517-091	YES	15u" (.38um) GXT	SnPb	
84517-091LF	YES	15u" (.38um) GXT	LEAD FREE	6
84517-101	YES	30u" (.76um) Au	SnPb	
84517-101LF	YES	30u" (.76um) Au	LEAD FREE	6
84517-191	YES	30u" (.76um) GXT	SnPb	
84517-191LF	YES	30u" (.76um) GXT	LEAD FREE	6
84517-201	YES	SPECIAL, NOTE 4	SnPb	4
84517-201LF	YES	SPECIAL, NOTE 4	LEAD FREE	4, AND 6
84517-291	YES	GXT SPECIAL, NOTE 4	SnPb	4
84517-291LF	YES	GXT SPECIAL, NOTE 4	LEAD FREE	4, AND 6
84517-301	YES	15u" (.38um) Au SPECIAL	SnPb	
84517-301LF	YES	15u" (.38um) Au SPECIAL	LEAD FREE	6 AND 7
84517-401	YES	30u" (.76um) Au SPECIAL	SnPb	
84517-401LF	YES	30u" (.76um) Au SPECIAL	LEAD FREE	6 AND 7
84517-501	YES	Au SPECIAL	SnPb	4 AND 7
84517-501LF	YES	Au SPECIAL	LEAD FREE	4, 6 AND 7



Ø.76 SOLDER BALLS
200X

mat'l. code		surface		tolerance		projection		product family	
-		ASME Y14.5		ASME Y14.5		ASME Y14.5		MEG-Array	
ltr	ecn no	dr	date	tolerances unless otherwise specified		MM		title	
H	V12-0037	DCH	2012-11-13	angles	X ±3	MM		4.0mm RECPT. ASSY	
-	-	-	-	fil	XX ±10	scale 1:1		10 X 20 = 200 POS	
C	V03-0680	DAI	2003-06-19	0° ±2'	XXX ±050	FCI		dwg no	
D	V04-0940	VS	2004-10-18	dr	D.WAUGHEN	1999-09-09		sheet 1 of 3	
E	V05-1071	DAI	2005-12-21	enfr	B.SPINK	1999-09-09		size	
F	V06-0560	LP	2006-07-14	chr	B.SPINK	1999-09-09		84517	
G	V12-0030	RE	2012-08-06	appd	B.SPINK	1999-09-09		A4	
sheet	revision	H	H	H				type	
index	sheet	1	2	3				CUSTOMER Drawing	

NOTES:

1. MAT'L

HOUSING: LCP
CONTACT: COPPER ALLOY

PLATING

CONTACT: (SEE TABLE ON SHEET1)
SOLDER BALL: (SEE TABLE ON SHEET1)
EUTECTIC SnPb OR LEAD FREE
95.5Sn/4Ag/0.5Cu

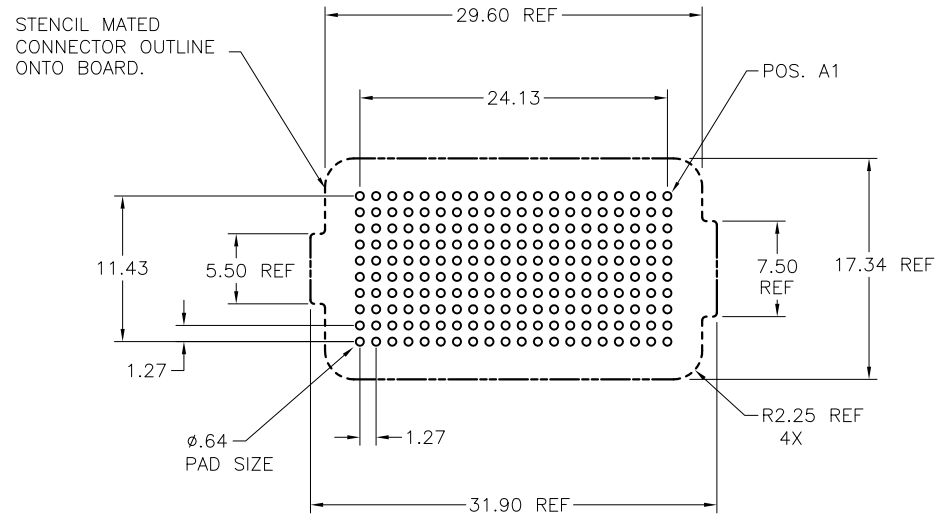
2. OVERALL BOARD-TO-BOARD STACK HEIGHTS AVAILABLE USING THIS CONNECTOR (84517):

MATED HEIGHT	WITH PLUG P/N
4mm	84516
10mm	84530

4. PLATING FOR INDICATED -2XX SERIES PRODUCT NUMBERS MEET THE REQUIREMENTS OF GR-1217-CORE, CENTRAL OFFICE ENVIRONMENT, 25 YEAR LIFE EXPECTANCY. THE CONTACTS IN THESE PRODUCT NUMBERS ALSO HAVE SPECIAL CONTACT GEOMETRY

5. FOR PROPER APPLICATION FOLLOW FCI APPLICATION SPECIFICATION GS-20-033 LEAD FREE SOLDER BALLS WILL NOT SOLDER PROPERLY IN A LEADED SOLDER PROCESS DUE TO A HIGHER REFLOW TEMPERATURE. LEAD FREE PRODUCT IS THEREFORE NOT BACKWARDS COMPATIBLE WITH LEADED OR SOME SOLDERING APPLICATIONS. REFERENCE FCI APPLICATION SPECIFICATION

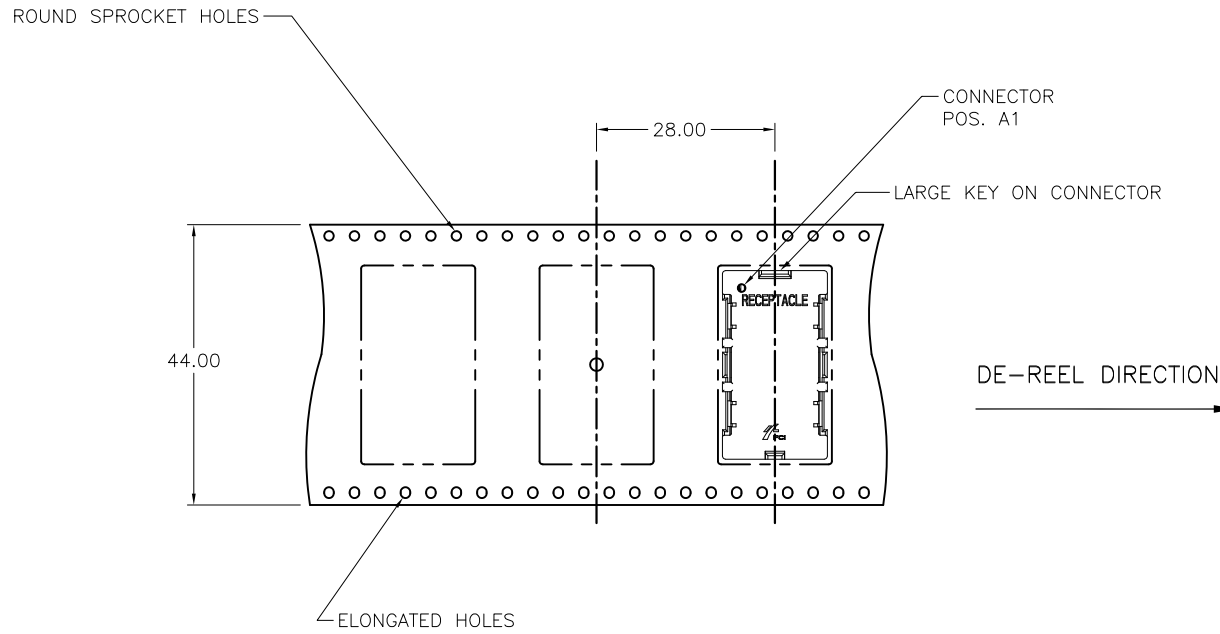
6. THIS PRODUCT MEETS EUROPEAN UNION DIRECTIVES AND OTHER COUNTRY REGULATIONS AS DESCRIBED IN GS-47-0004 PRODUCT MEETING THIS DIRECTIVE IS IDENTIFIED IN THE LOT CODE NUMBER MARKED ON EACH PART BY HAVING AN "X" IN THE SEVENTH CHARACTER POSITION



BOARD PATTERN

9. A SYMBOL WILL BE NEXT TO ANY DIMENSION, NEW VIEW OR NOTE WHICH HAS BEEN MODIFIED WITH THE CURRENT DRAWING REVISION

mat'l. code		surface		tolerance		projection		product family	
-		ASME Y14.5		ASME Y14.5				MEG-Array	
ltr	ecr no	dr	date	tolerances unless otherwise specified		MM		title	
H				angles	X ±3			4.0mm RECPT. ASSY	
				0° ±2'	.XX ±10	scale 1:1		10 X 20 = 200 POS.	
					XXX ±050			dwg no	
		dr	D.WAUGHEN	1999-09-09				sheet 2 of 3	
		enr	B.SPINK	1999-09-09				size	
		chr	B.SPINK	1999-09-09				84517	
		appd	B.SPINK	1999-09-09				type	
sheet index		revision sheet						CUSTOMER Drawing	



mat'l. code		-		surface		ASME Y14.5		tolerance		ASME Y14.5		projection		product family	
ltr		ecn no		dr		date		tolerances unless otherwise specified		MM		MM		MEG-Array	
H								angles		X ±3		MM		title	
								0° ±2'		XX ±10		scale 1:1		4.0mm RECPT. ASSY	
										XXX ±050				10 X 20 = 200 POS.	
								dr		D.WAUGHEN		1999-09-09		dwg no	
								engr		B.SPINK		1999-09-09		sheet 3 of 3	
								chr		B.SPINK		1999-09-09		size	
								appd		B.SPINK		1999-09-09		A4	
sheet		revision												type	
index		sheet												CUSTOMER Drawing	

Mouser Electronics

Authorized Distributor

Click to View Pricing, Inventory, Delivery & Lifecycle Information:

[FCI / Amphenol:](#)

[84517-201LF](#) [84517-001](#) [84517-101LF](#) [84517-001LF](#) [84517-201](#) [84517-101](#) [84517-191](#) [84517-291LF](#) [84517-291](#)
[84517-091](#) [84517-191LF](#) [84517-091LF](#)