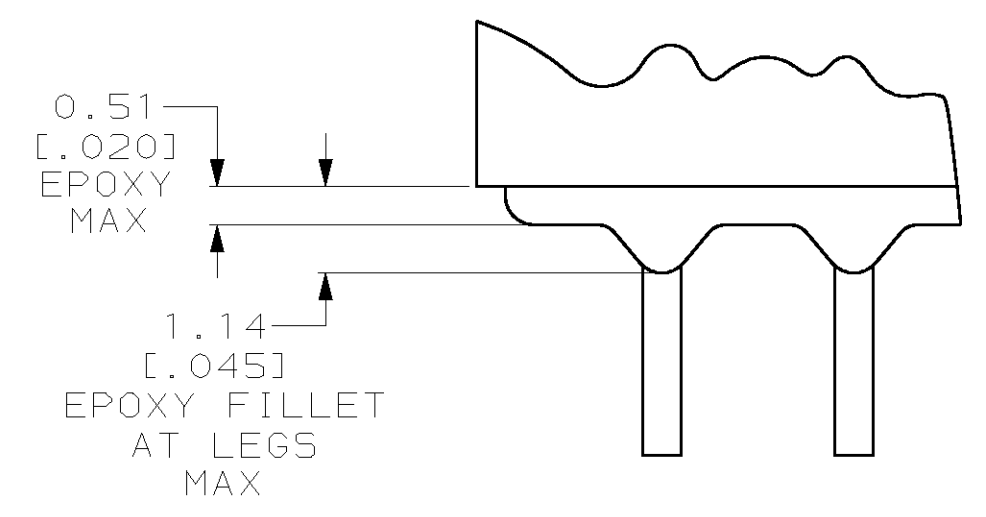
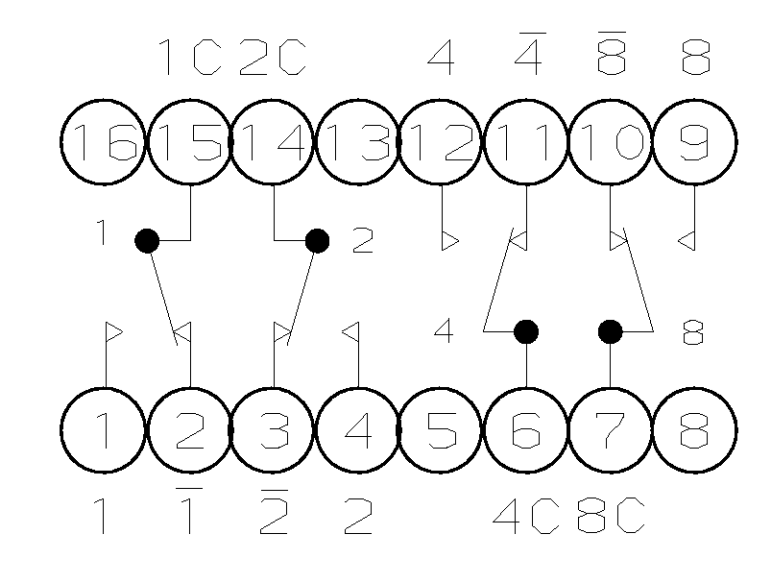


| LOC | | DIST | | REVISIONS | | | |
|-----|-----|---------------------------------|---------|-----------|------|--|--|
| TR | LYR | DESCRIPTION | DATE | DWN | APVD | | |
| AG | 1 | REDRAWN ON CAD PER 0330-0026-96 | 1-8-97 | WS | JR | | |
| AH | | REV PER EC 063C-0381-01 | 02MAY02 | MB | HW | | |



DETAIL A
SCALE 10:1

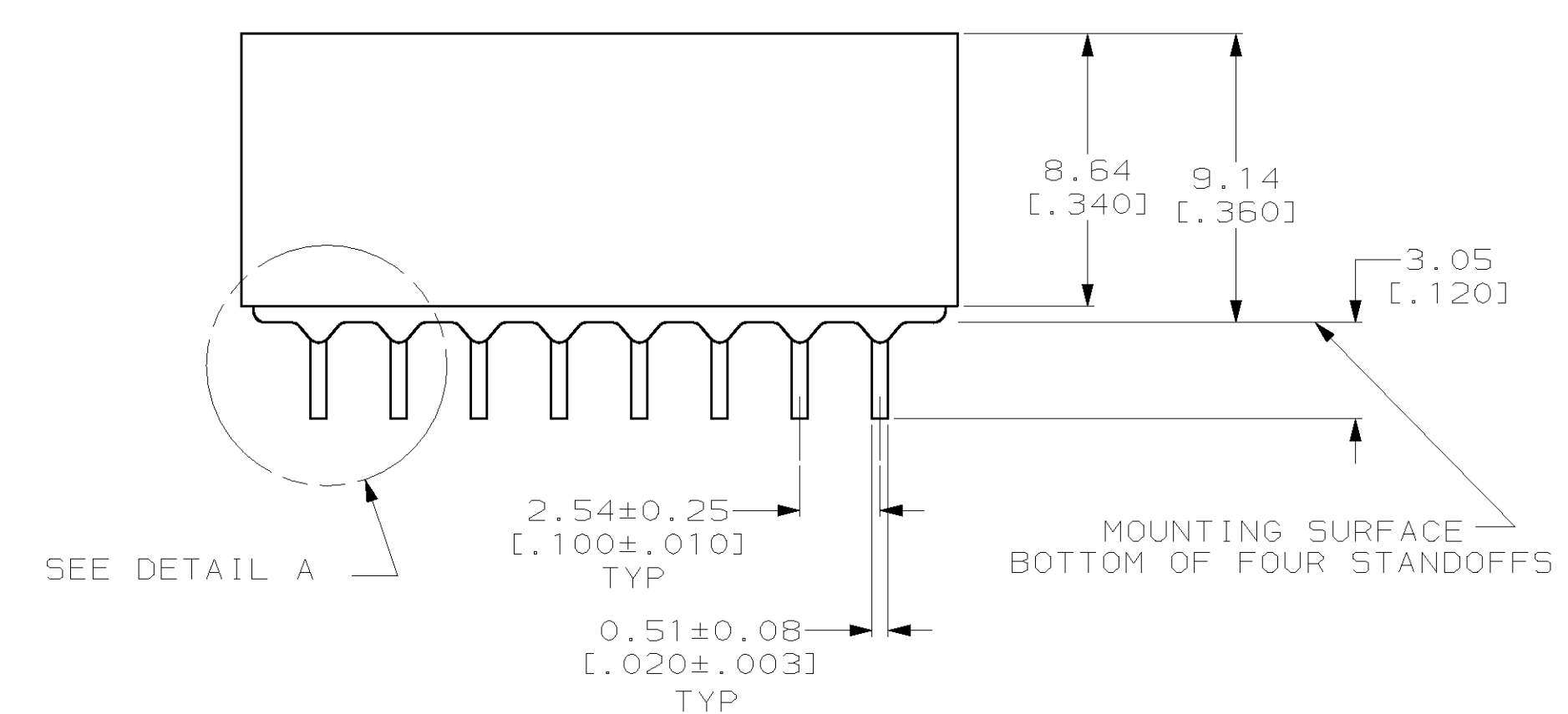
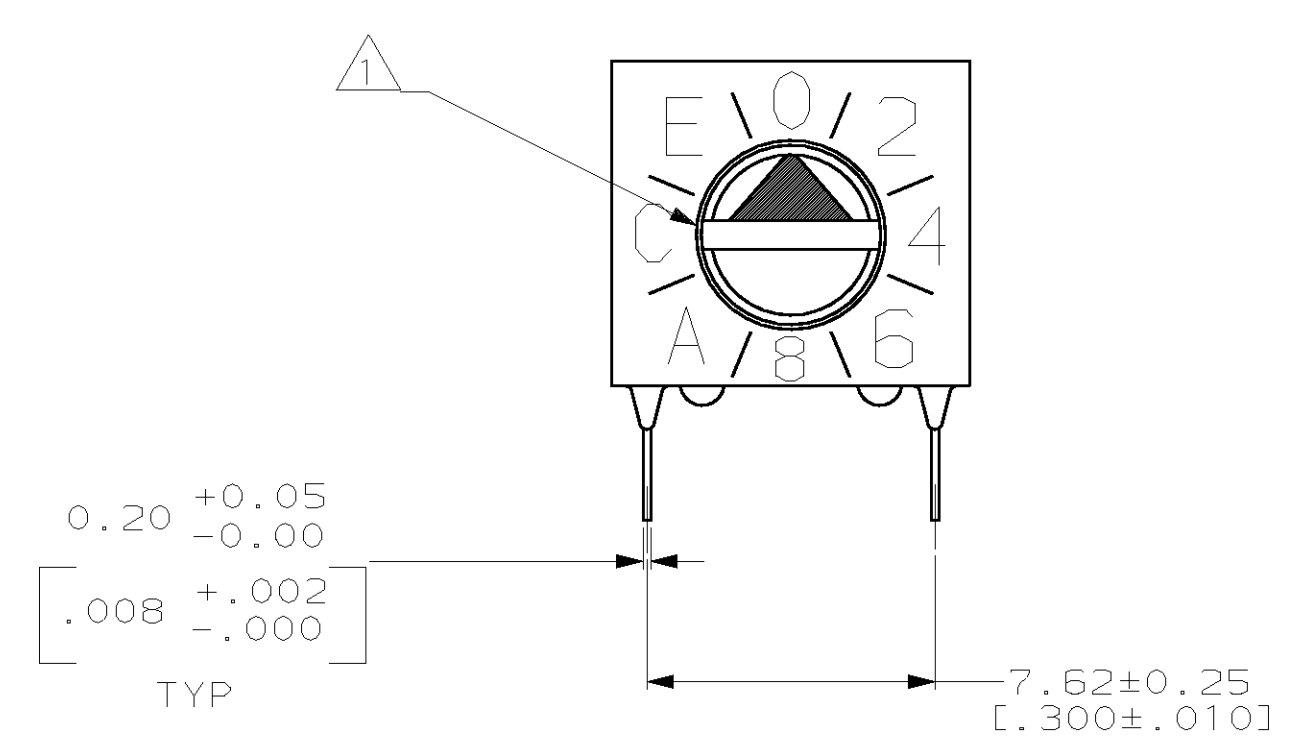
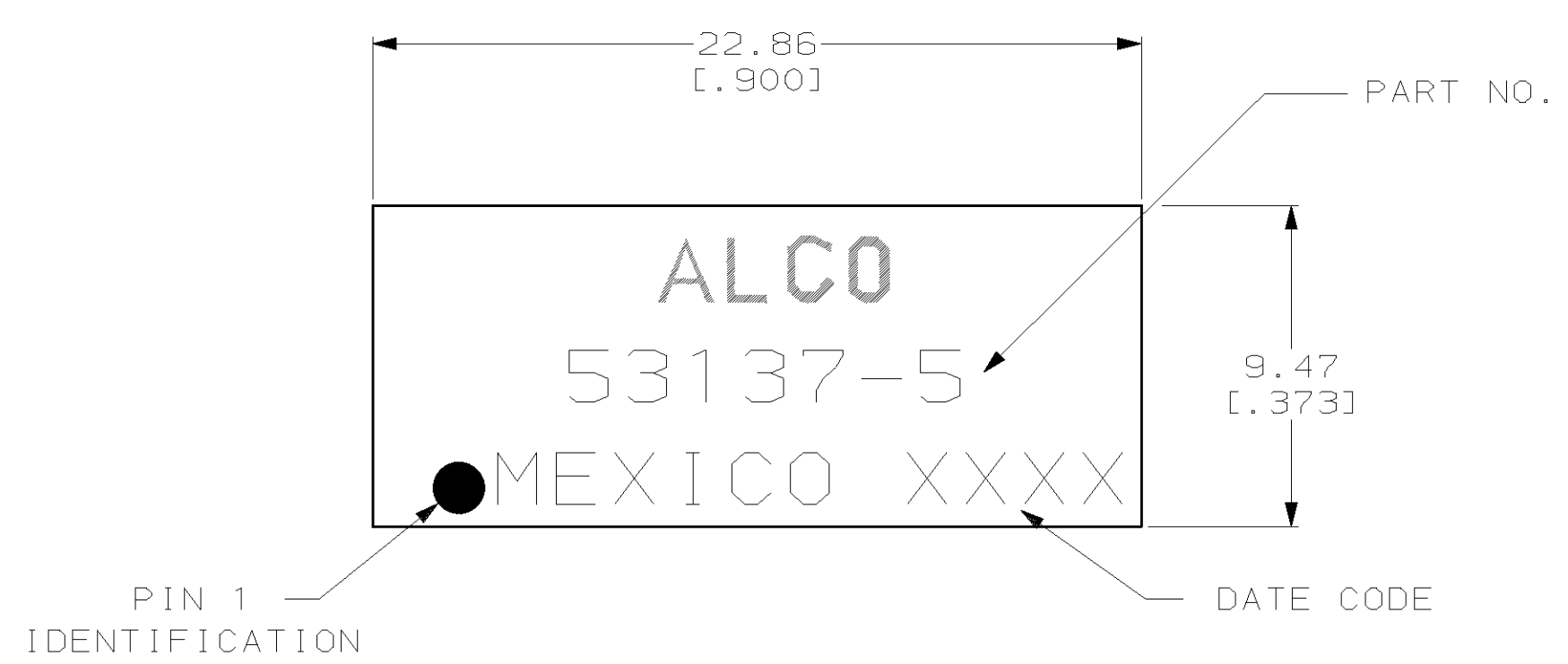


SCHEMATIC
(POSITION 0)

- △ SLOT FOR SCREWDRIVER ACTUATION.
- 2. FOR ADDITIONAL SPECIFICATIONS SEE AMP PRODUCT SPEC 108-7066 AND INSTRUCTION SHEET 6811.
- 3. SWITCH BOTTOM IS SEALED.
- △ CONTACT FINISH TO BE 0.00076 [.000030] GOLD OVER NICKEL.
- △ MATERIAL:
HOUSING : BLACK POLYESTER
CONTACTS : BERYLLIUM COPPER.

| | | POSITION | | | | | | | | | | | | | | | |
|-----------|---|----------|---|---|---|---|---|---|---|---|---|---|---|---|---|---|---|
| | | 0 | 1 | 2 | 3 | 4 | 5 | 6 | 7 | 8 | 9 | A | B | C | D | E | F |
| COMMON TO | 1 | | ● | | ● | | ● | | ● | | ● | | ● | | ● | | ● |
| | 2 | | | ● | ● | | | ● | ● | | | ● | ● | | | ● | ● |
| | 4 | | | | | ● | ● | ● | ● | | | | ● | ● | ● | ● | ● |
| | 8 | | | | | | | | | ● | ● | ● | ● | ● | ● | ● | ● |
| | 1 | ● | | ● | | ● | | ● | | ● | | ● | | ● | | ● | |
| | 2 | ● | ● | | | ● | ● | | | ● | ● | | | ● | ● | | |
| | 4 | ● | ● | ● | ● | | | | | ● | ● | ● | ● | | | | |
| | 8 | ● | ● | ● | ● | ● | ● | ● | | | | | | | | | |

HEXADECIMAL: WITH COMPLEMENT



53137-5
PART NUMBER

| | | | |
|---|--|-------------------------|---|
| <small>THIS DRAWING IS A CONTROLLED DOCUMENT FOR AMP INCORPORATED. IT IS SUBJECT TO CHANGE AND THE CONTROLLING ENGINEERING DEPARTMENT SHALL BE CONTACTED FOR THE LATEST REVISION.</small> | | DWN M. SORAH 1-8-97 | AMP Incorporated Harrisburg, PA 17105-3608 |
| DIMENSIONS (mm [INCHES]) TOLERANCES UNLESS OTHERWISE SPECIFIED: 0 PLC ±- 1 PLC ±- 2 PLC ±0.30 [.0123] 3 PLC ±- 4 PLC ±- ANGLES ±- | | CHK R. TALLEY 1-8-97 | |
| MATERIAL: △ FINISH: △ | | APVD J. ROBB 1-8-97 | NAME: SWITCH ASSY, PREPROGRAMMED DIP, 16 POSITION, SCREWDRIVER SLOT SIZE: A1 CAGE CODE: 00779 DRAWING NO: 53137-5 WEIGHT: - CUSTOMER DRAWING |
| SCALE: 5:1 | | SHEET: 1 OF 1 | REV: AH |

Mouser Electronics

Authorized Distributor

Click to View Pricing, Inventory, Delivery & Lifecycle Information:

[TE Connectivity:](#)

[53137-5](#)