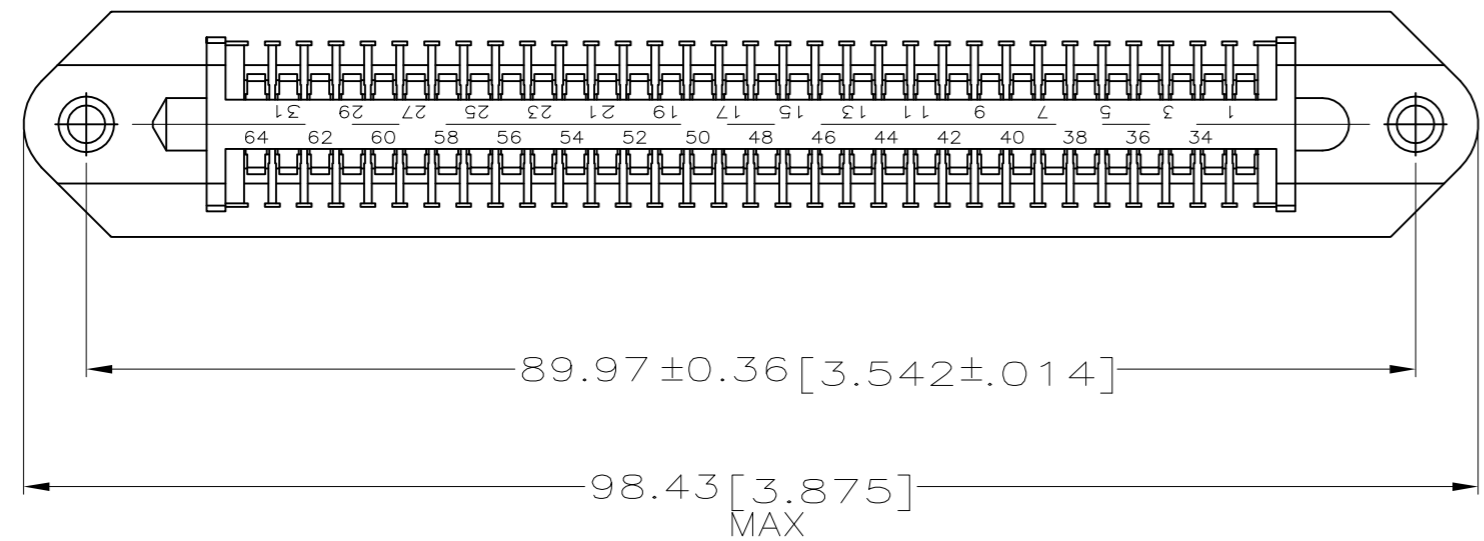
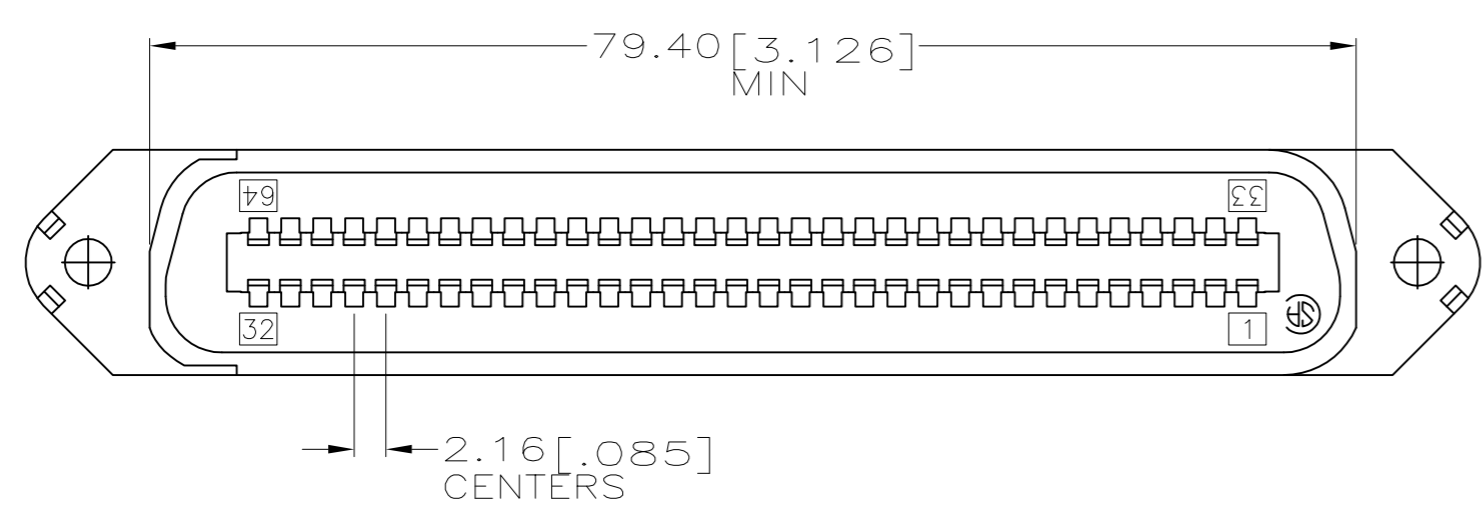
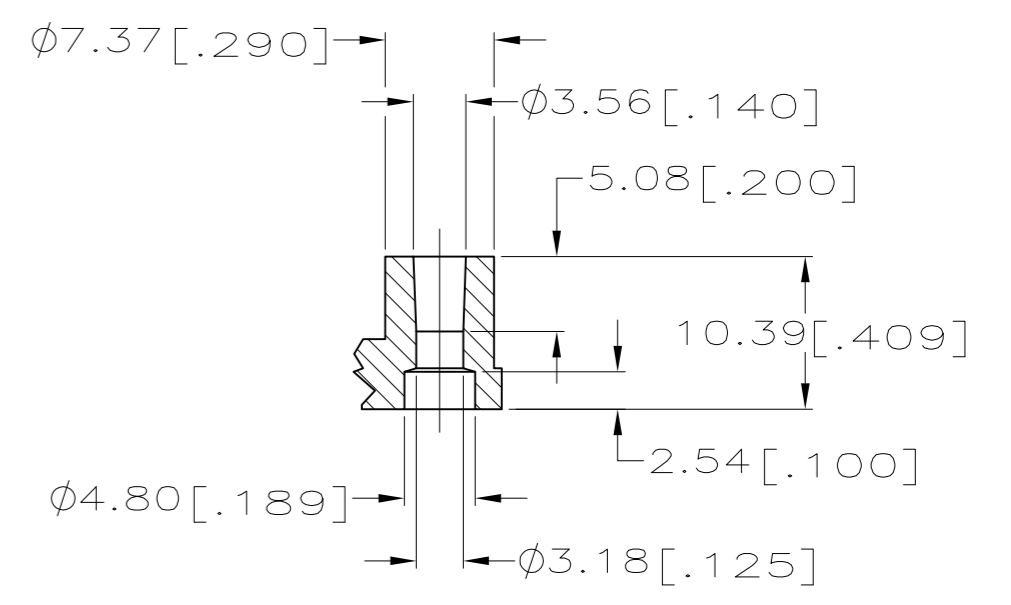
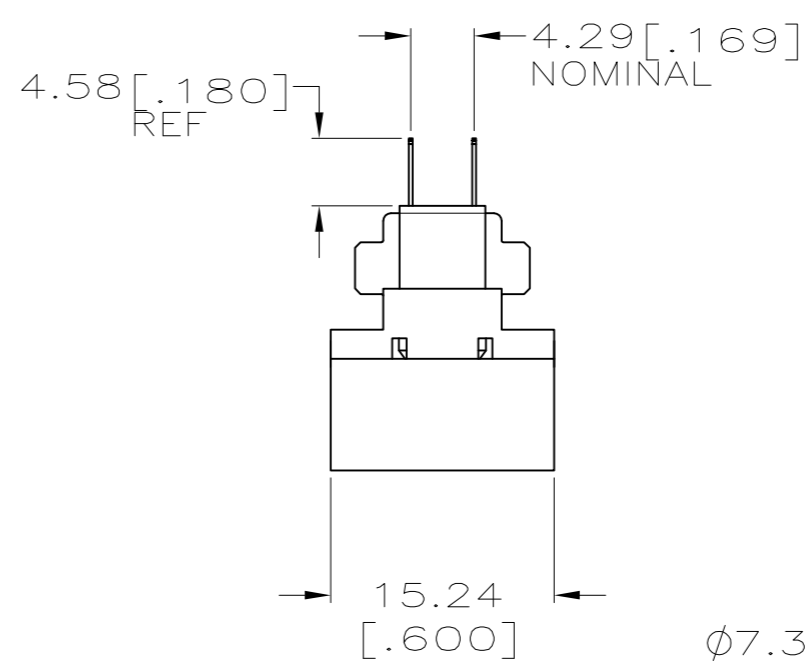
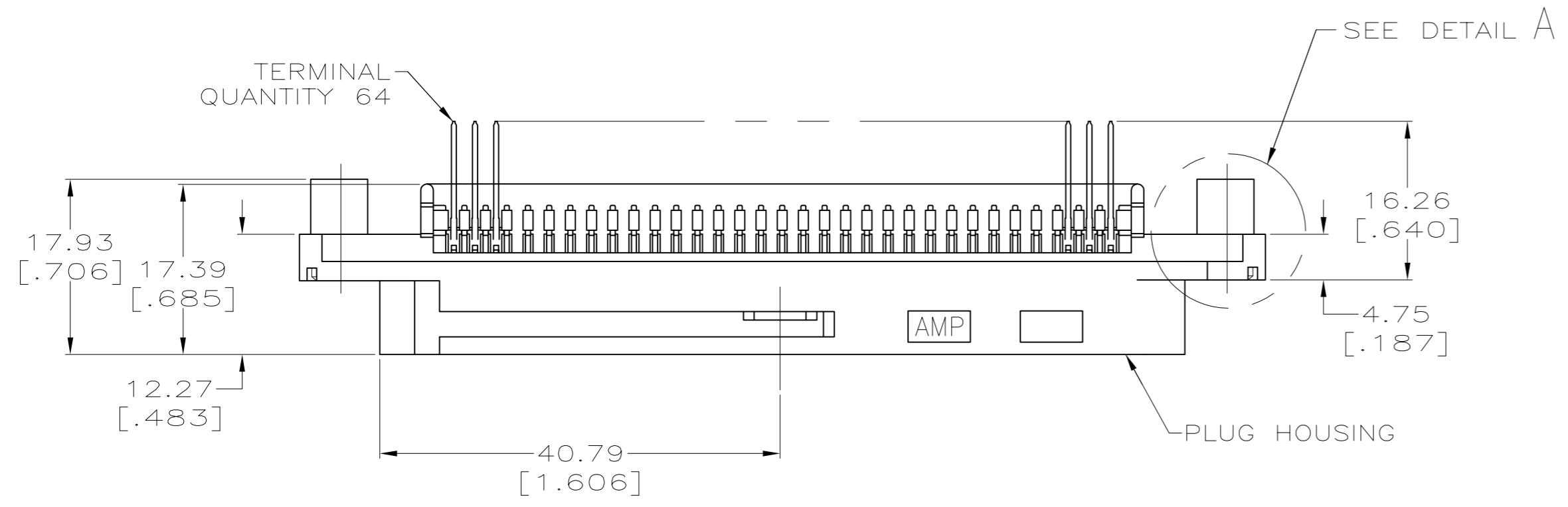


THIS DRAWING IS UNPUBLISHED. RELEASED FOR PUBLICATION
 © COPYRIGHT - By - ALL RIGHTS RESERVED.

REVISIONS					
P	LTR	DESCRIPTION	DATE	DWN	APVD
C		REVISE PER ECO-17-007281	18MAY2017	RG	SH



1. THE CONTACT SURFACES OF THE TERMINALS ARE COATED WITH LUBRICANT.
2. ALL DIMENSIONS SHOWN ARE REFERENCE ONLY UNLESS OTHERWISE SPECIFIED.
3. MATERIAL: HOUSING - THERMOPLASTIC, BLACK, UL94 V-0. TERMINAL - PHOS BRONZE PLATED WITH EITHER 0.76μm [.000030] MINIMUM GOLD PLATE OR GOLD FLASH OVER PALLADIUM NICKEL PLATE, 0.76μm [.000030] MINIMUM TOTAL ON MATING SURFACE. 3.05μm [.000120] MINIMUM TIN PLATE ON TAILS OVER 1.27μm [.000050] MINIMUM NICKEL UNDERPLATE OVER ENTIRE TERMINAL.



5552243-1
PART NUMBER

THIS DRAWING IS A CONTROLLED DOCUMENT.		DWN B. LATTUCA 12AUG05	TE Connectivity		
DIMENSIONS: mm [INCHES]		CHK W. MILLHIMES 12AUG05			
TOLERANCES UNLESS OTHERWISE SPECIFIED:		APVD M. WALMSLEY 12AUG05	NAME PLUG ASSEMBLY, 64 POSITION, VERTICAL MOUNTING (CHAMP-LOK WITH STANDOFFS)		
0 PLC ± - 1 PLC ± - 2 PLC ± - 3 PLC ± - 4 PLC ± - ANGLES ± - FINISH ± -		PRODUCT SPEC APPLICATION SPEC	SIZE A2	CAGE CODE 00779	DRAWING NO 5552243
MATERIAL		WEIGHT 0.000000	RESTRICTED TO -	SCALE 2:1	
CUSTOMER DRAWING			SHEET 1 of 1	REV C	

Mouser Electronics

Authorized Distributor

Click to View Pricing, Inventory, Delivery & Lifecycle Information:

[TE Connectivity:](#)

[5552243-1](#)