

REAL TIME CLOCK MODULE (SPI-Bus)
LOW BACKUP VOLTAGE



Product Number
RX-4571LC : Q414571C2000100
RX-4571SA : Q41457152000100

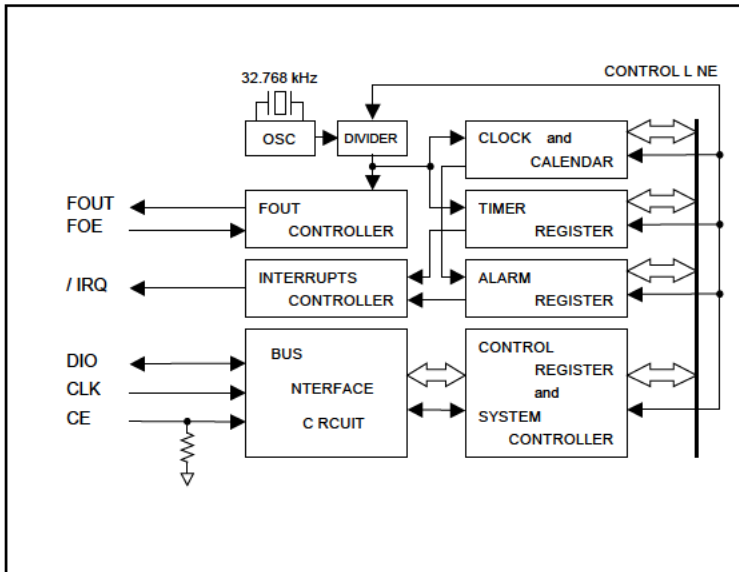
RX-4571LC / SA

- Built in frequency adjusted 32.768 kHz crystal unit.
- Interface Type : 3-wire serial interface
- Operating voltage range : 1.6 V to 5.5 V
- The wide voltage for time keeping. : 1.0 V to 5.5 V / T_a = +25 °C
- Low backup current : 0.32 μA (Typ.) / 3 V
- 32.768 kHz frequency output function : C-MOS output With OE pin.
- Real-time clock function
Clock/calendar function, auto leap year correction function, alarm and Timer interrupt function, etc.



Block diagram

Overview



- **32.768 kHz frequency output function**
 - FOUT pin output (C-MOS output), CL=30 pF
- **Timer function**
 - Timer function which can be set up between 1/4096 second and 4095 minutes.
- **Alarm function**
 - Alarm function can be set to any combination of day, day of week, hour, or minute.

Pin Function

Signal Name	Input / Output	Function
CE	Input	The chip enabled input pin 0. (It has a built -in pull-down resistance)
CLK	Input	The shift clock input pin for serial data transfer.
DIO	Bi-directional	The data input / output pin for serial data transfer.
FOUT	Output	32.768 kHz clock output pin with the output control function. (C-MOS)
FOE	Input	FOE pin control the condition of FOUT with FSEL1-bit, FSEL0-bit, etc.
/ IRQ	Output	Interrupt output (N-ch open drain)
V _{DD}	—	Connected to a positive power supply.
GND	—	Connected to a ground.

Terminal connection / External dimensions

(Unit:mm)

RX - 4571 LC

1. FOE
2. N.C.
3. DIO
4. CLK
5. CE
6. GND

7. FOUT
8. /IRQ
9. N.C.
10. N.C.
11. N.C.
12. VDD

VSOJ - 12pin

RX - 4571 SA

1. GND
2. N.C.
3. CE
4. CLK
5. DIO
6. N.C.
7. FOE

8. VDD
9. N.C.
10. /IRQ
11. N.C.
12. N.C.
13. N.C.
14. FOUT

SOP - 14 pin

***Stop using the glue**
Any glue must never use it after soldering LC-package to a circuit board. This product has glass on the back side of a package. When glue invasions between circuit board side and glass side, then glass cracks by thermal expansion of glue. In this case a crystal oscillation stops. Consider glue abolition or glue do not touch to LC-package.

The metal case inside of the molding compound may be exposed on the top or bottom of this product. This purely cosmetic and does not have any effect on quality, reliability or electrical specs.

Specifications (characteristics)

* Refer to application manual for details.

Recommended Operating Conditions

Item	Symbol	Conditions	Min.	Typ.	Max.	Unit
Power voltage	V _{DD}	—	1.6	3.0	5.5	V
Clock voltage	V _{CLK}	T _a = +25 °C	1.0	3.0	5.5	V
		T _a = -40 to +85 °C	1.1	3.0	5.5	V
Operating temperature	T _{OPR}	—	-40	+25	+85	°C

Frequency characteristics

Item	Symbol	Conditions	Rating	Unit
Frequency tolerance	Δf/f	T _a = +25 °C V _{DD} = 3.0 V	B: 5 ± 23 *	× 10 ⁻⁶
Oscillation start-up time	t _{STA}	T _a = +25 °C V _{DD} = 1.6 V	1 Max.	s

* Please ask for tighter tolerance. (Equivalent to ±1 minute of monthly deviation)

Current consumption characteristics

T_a = -40 °C to +85 °C

Symbol	Conditions	Min.	Typ.	Max.	Unit	
I _{BK}	CE = GND /IRQ = OFF	V _{DD} = 5 V	-	0.40	1.00	μA
	FOUT ; output OFF (Hi - z)	V _{DD} = 3 V	-	0.32	0.95	
I _{32k}	CE = GND /IRQ = OFF	V _{DD} = 5 V	-	8.0	14.0	μA
	FOUT ; 32.768 kHz output ON CL = 30 pF	V _{DD} = 3 V	-	5.0	8.5	