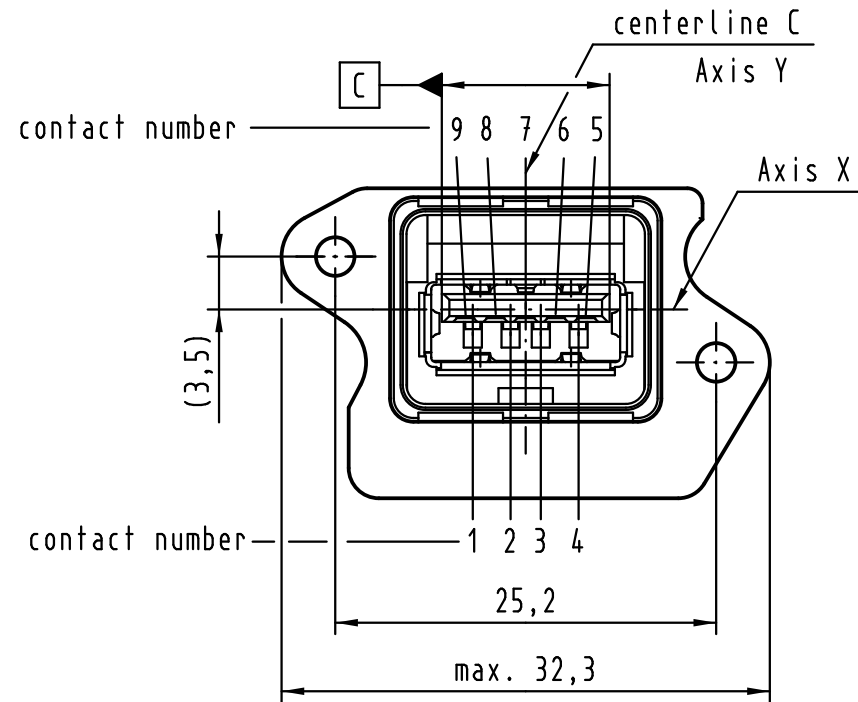
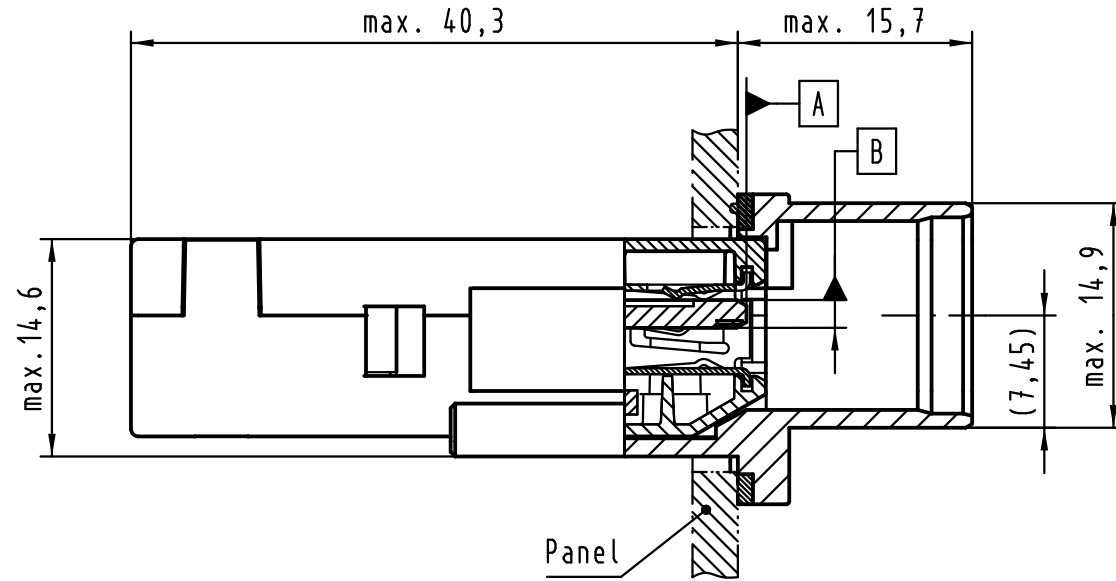


Alle Rechte vorbehalten/ All rights reserved

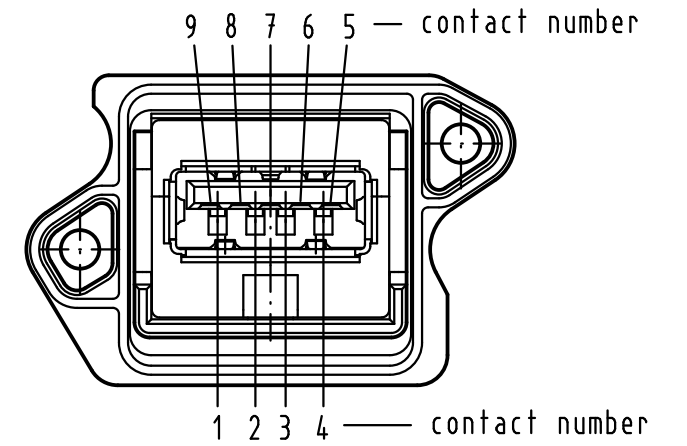
USB 3.0 type A



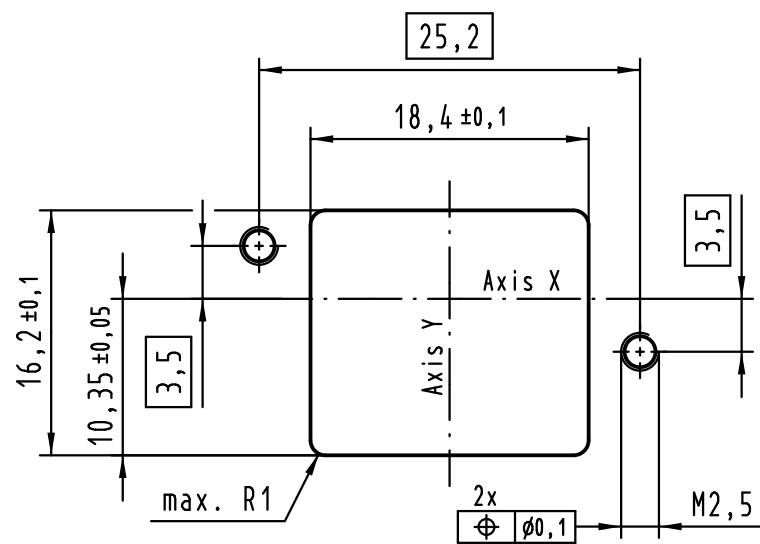
A-A



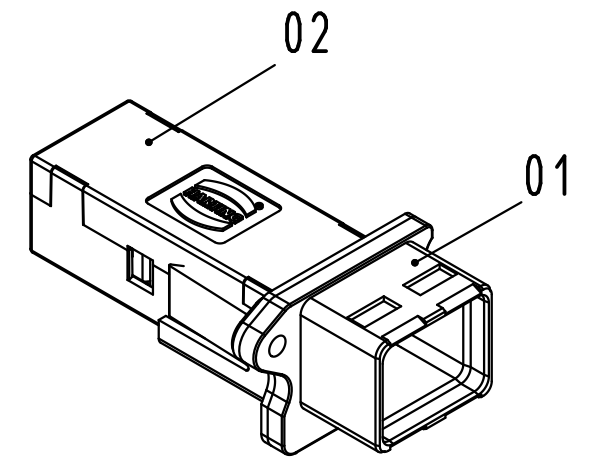
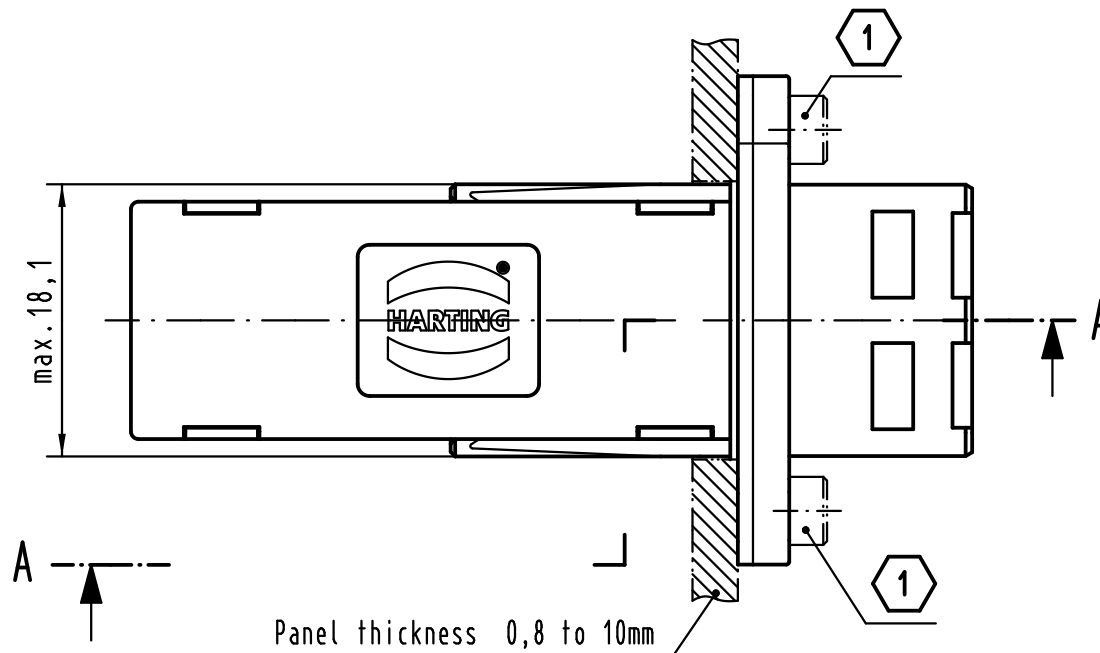
USB 3.0 type A



Panel Cutting



Connector pitch on panel:
Axis X = 27mm and Axis Y = 21mm



loading-plan

V Bus	1	————	1
D-	2	————	2
D+	3	————	3
GND	4	————	4
StdA_SSRX-	5	————	5
StdA_SSRX+	6	————	6
GND_DRAIN	7	————	7
StdA_SSTX-	8	————	8
StdA_SSTX+	9	————	9
Shield	Shell	————	Shell

1 Screwing 2x M2,5 screws between 0,3 - 0,5Nm, screw acc. to ISO 4762 order please separately

References A, B and C acc. to USB specification 2.0, www.usb.org

further information see: DS 09 45 623 02 02

pos.	number	description		part-number
02	1	USB 3.0 HIFF Bulkhead coupler type A-A		09 45 545 1902
01	1	HPP housing compact		09 45 545 0028
All Dimensions in mm Original Size DIN A 3		Techn. Character.		Nicht tolerierte Maßel Free size tolerances
		Dat.	Name	2:1
		Detail.	14.02.12 hsv	
		Insp.	14.02.12 Lue.	
		Stand.		
36124		HARTING Electronics GmbH & Co. KG		TB 09 45 245 1904
Mod.		D-32339 ESPELKAMP		
Dat.		Name		Blatt/ page
				Sub.



Mouser Electronics

Authorized Distributor

Click to View Pricing, Inventory, Delivery & Lifecycle Information:

[HARTING:](#)

[09452451904](#)