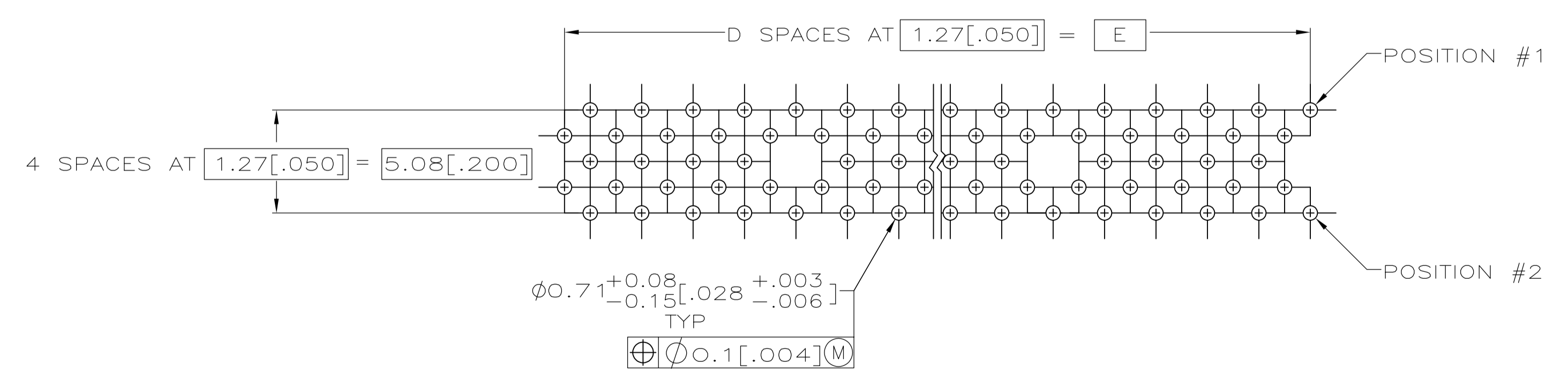
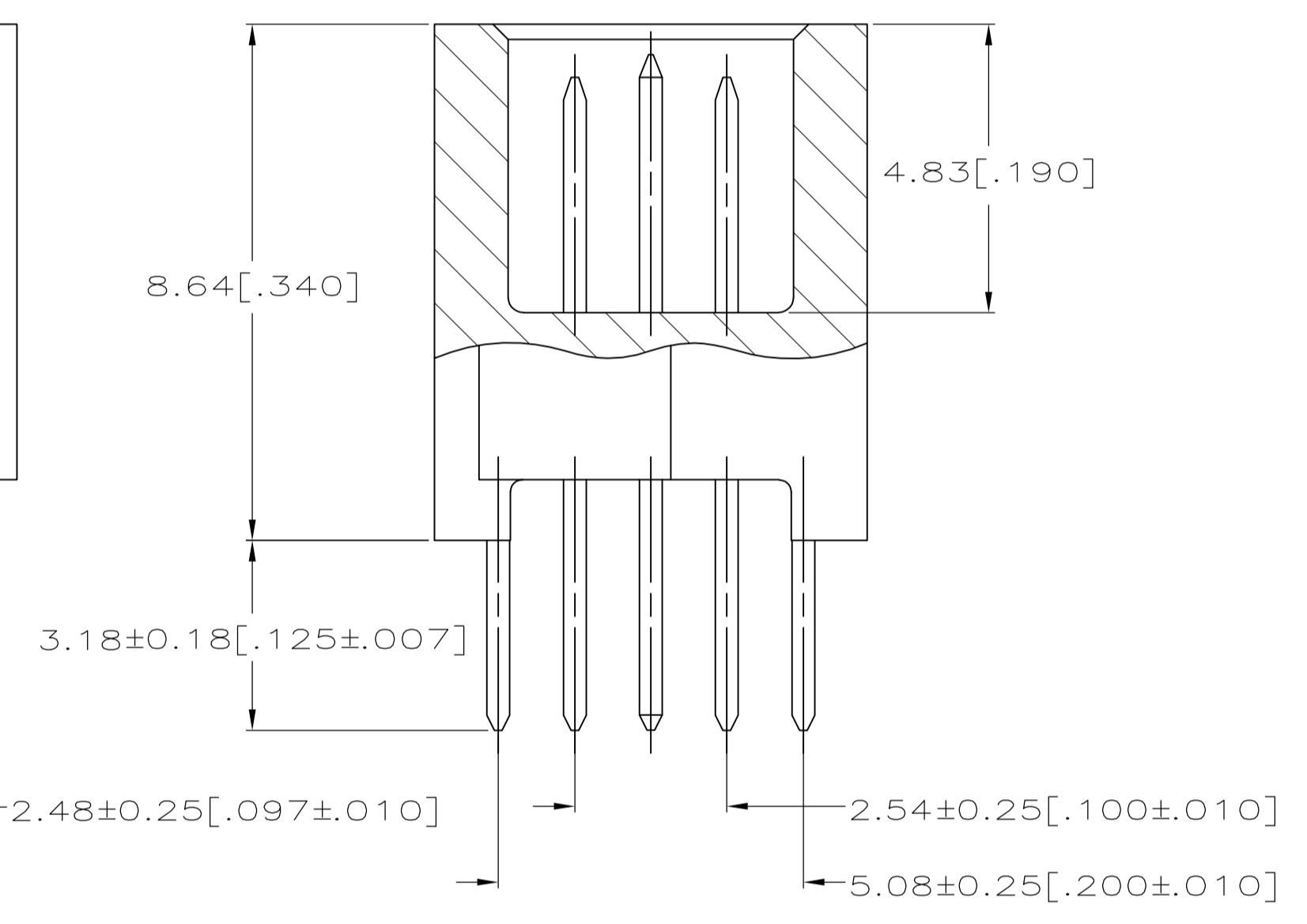
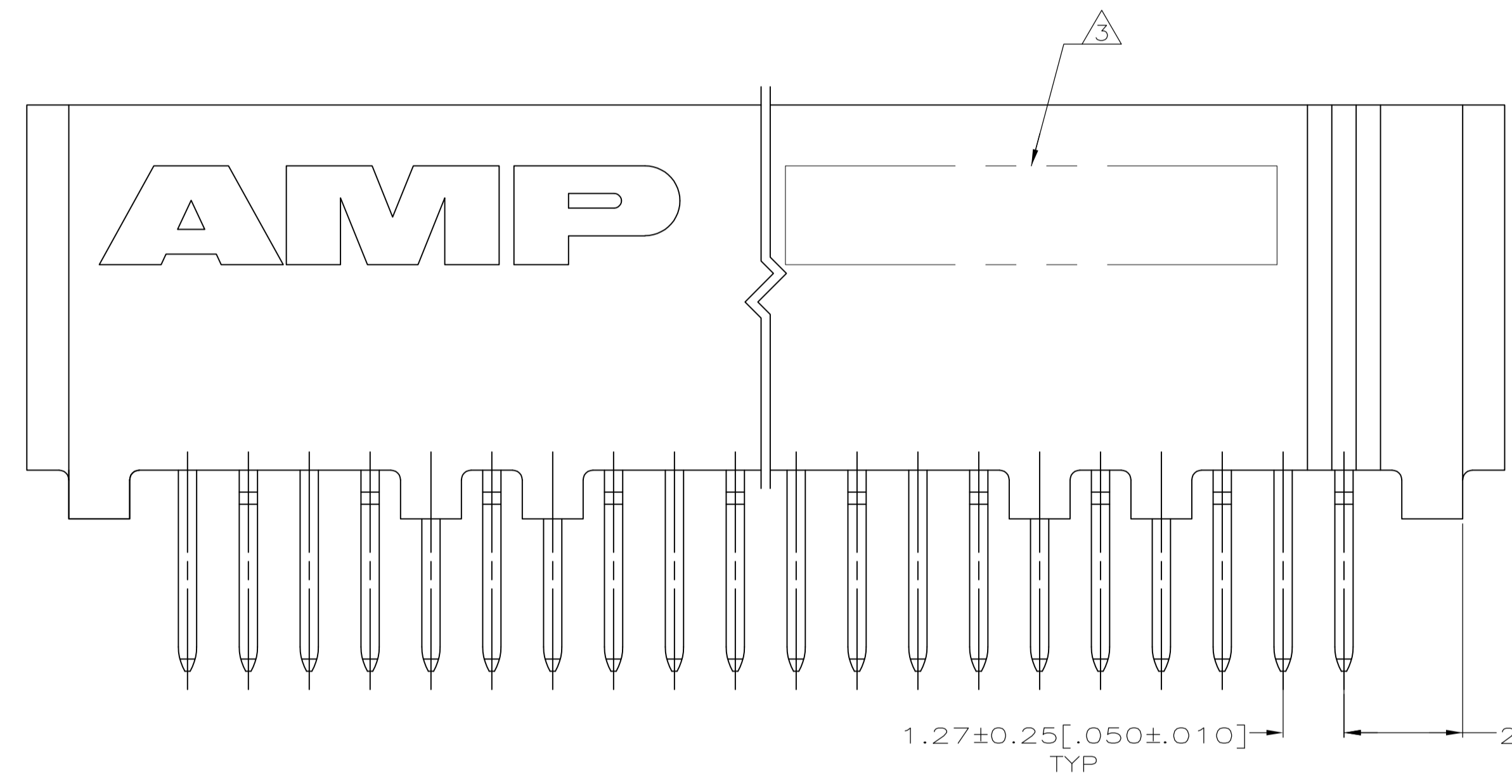


- ① HOUSING: HIGH TEMPERATURE THERMOPLASTIC, COLOR NATURAL.  
PIN CONTACTS: PHOSPHOR BRONZE.  
GROUND BUSES: PHOSPHOR BRONZE.
- ② CONTACTS & GROUND BUSES: 0.00076(.000030) MIN. GOLD PER ASTM B 488 ON CONTACT AREA, 0.00254-0.00762(.000100-.000300) MATTE TIN PER ASTM B 545 ON SOLDER TAIL, ALL OVER 0.00127-0.00254(.000050-.000100) MATTE NICKEL PER SAE AMS-QQ-N-290 ON ENTIRE CONTACT.
- ③ DATE CODE MARKED IN AREA INDICATED.



125.73 [ 4.950 ]	99	128.22 [ 5.048 ]	130.68 [ 5.145 ]	132.44 [ 5.214 ]	200	5536272-9
113.03 [ 4.450 ]	89	115.52 [ 4.548 ]	117.98 [ 4.645 ]	119.74 [ 4.714 ]	180	5536272-8
100.33 [ 3.950 ]	79	102.82 [ 4.048 ]	105.28 [ 4.145 ]	107.04 [ 4.214 ]	160	5536272-7
87.63 [ 3.450 ]	69	90.12 [ 3.548 ]	92.58 [ 3.645 ]	94.34 [ 3.714 ]	140	5536272-6
OBSOLETE 74.93 [ 2.950 ]	59	77.42 [ 3.048 ]	79.88 [ 3.145 ]	81.64 [ 3.214 ]	120	5536272-5
OBSOLETE 62.23 [ 2.450 ]	49	64.72 [ 2.548 ]	67.18 [ 2.645 ]	68.94 [ 2.714 ]	100	5536272-4
OBSOLETE 49.53 [ 1.950 ]	39	52.02 [ 2.048 ]	54.48 [ 2.145 ]	56.24 [ 2.214 ]	80	5536272-3
OBSOLETE 36.83 [ 1.450 ]	29	39.32 [ 1.548 ]	41.78 [ 1.645 ]	43.54 [ 1.714 ]	60	5536272-2
OBSOLETE 24.13 [ .950 ]	19	26.62 [ 1.048 ]	29.08 [ 1.145 ]	30.84 [ 1.214 ]	40	5536272-1
E	D	C	B	A	NO OF POS	PART NUMBER

THIS DRAWING IS A CONTROLLED DOCUMENT.

DIMENSIONS: mm [ INCHES ]	TOLERANCES UNLESS OTHERWISE SPECIFIED:	0 PLC ± -	1 PLC ± -	2 PLC ± -	3 PLC ± 0.13 [ .005 ]	4 PLC ± -	ANGLES ± -
MATERIAL		FINISH		APPROVED: A1 00779		DRAWING NO: 5536272	
CUSTOMER DRAWING				SCALE: 10:1		SHEET 1 OF 1	

THIS DRAWING IS A CONTROLLED DOCUMENT. DATE: 01-20-05. BY: A. FERNANDEZ. CHECKED: D. DIXON. APPROVED: D. DIXON. NAME: Tyco Electronics Corporation, Harrisburg, PA 17105-3608. PRODUCT SPEC: 108-1272. APPLICATION SPEC: 114-11005. SIZE: A1. WEIGHT: -. RESTRICTED TO: -. CUSTOMER DRAWING. SCALE: 10:1. SHEET 1 OF 1. REV 03.

# Mouser Electronics

Authorized Distributor

Click to View Pricing, Inventory, Delivery & Lifecycle Information:

[TE Connectivity:](#)

[5536272-2](#)