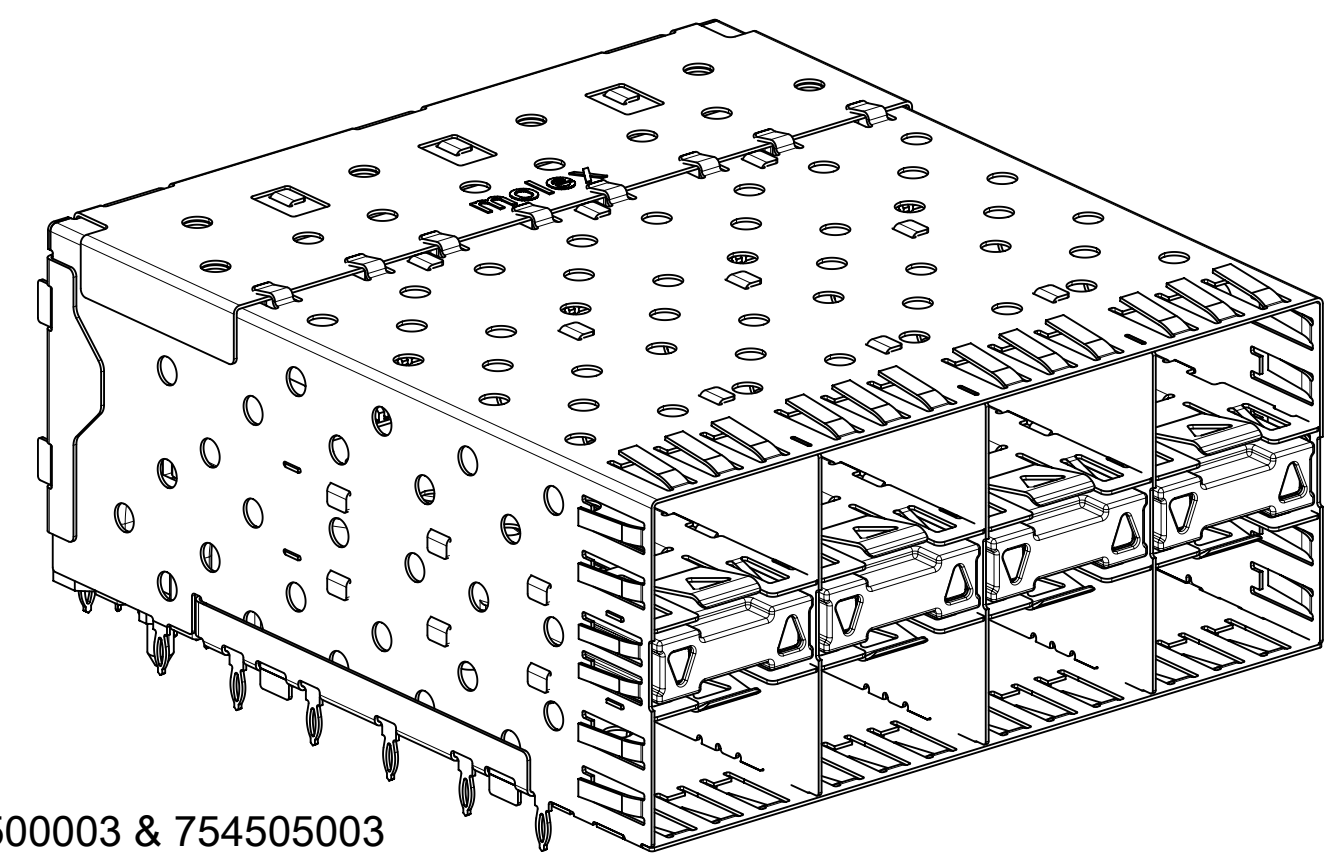
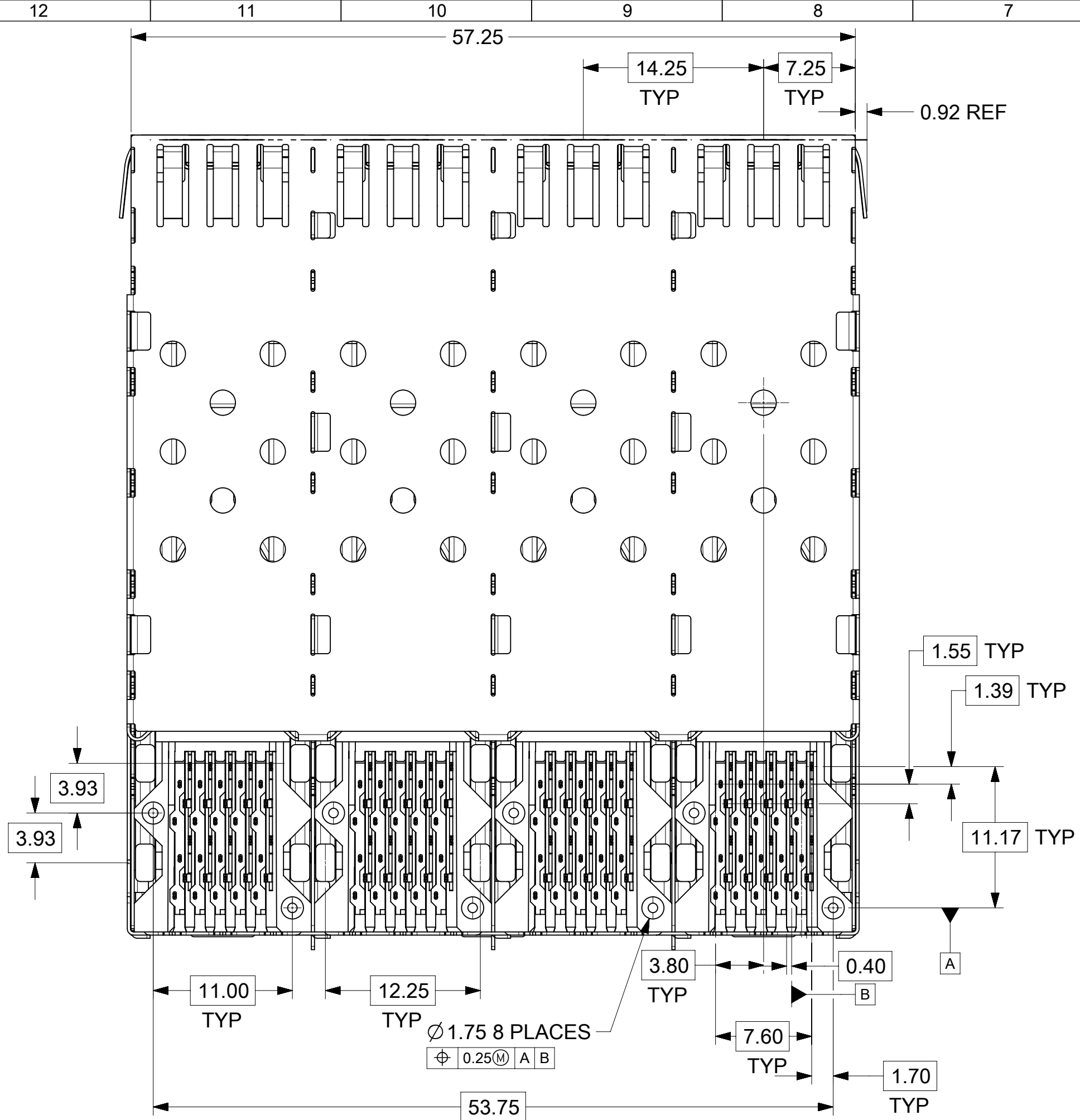


- NOTES:**
- MATERIAL:**
 CAGE: NICKEL SILVER, THICKNESS: 0.25mm
 CONNECTOR HOUSING: GLASS FILLED LIQUID CRYSTAL POLYMER (LCP), UL 94V-0, COLOR: BLACK
 OVERMOLD TERMINAL HOUSING: GLASS FILLED LIQUID CRYSTAL POLYMER (LCP), UL 94V-0, COLOR: BLACK
 TERMINALS: TIN BRASS
 EMI GASKET: PHOS-BRONZE
 LIGHTPIPE HOUSING: ZINC
 LIGHTPIPES: POLYCARBONATE, COLOR: CLEAR
 - FINISHES:**
 CAGE ASSY(APPLIES TO VERSIONS WITH PLATED CAGES): 25 MICROMETERS MINIMUM MATTE NICKEL OVER 2 MICROMETERS MINIMUM COPPER.
 TERMINALS: CONTACT AREA: 0.76 MICROMETERS MINIMUM HARD GOLD OVER 1.27 MICROMETERS MINIMUM NICKEL.
 COMPLIANT TAIL - MATTE TIN/LEAD OPTION: 0.76 TO 1.52 MICROMETERS 90/10 MATTE TIN-LEAD OVER 0.76 MICROMETERS MINIMUM NICKEL.
 COMPLIANT TAIL - MATTE TIN OPTION: 0.76 TO 1.52 MICROMETERS MATTE TIN OVER 0.76 MICROMETERS MINIMUM NICKEL.
 LIGHT PIPE HOUSING: 80 MICROMETERS MINIMUM NICKEL OVER COPPER
 EMI GASKET: 2.54 MICROMETERS MINIMUM NICKEL OVERALL
 - REFER TO PS-75310-001 PRODUCT SPEC FOR ALL ELECTRICAL, MECHANICAL, AND ENVIRONMENTAL SPECIFICATIONS.
 - LIGHTPIPE PAD LAYOUT IS FOR O805 LOW-PROFILE LED PACKAGE, FOR OTHER RECOMMENDED LAYOUTS REFER TO MOLEX'S REPORT TS-75310-001.
 - REFER TO PK-75450-001 FOR ALL PACKAGING SPECIFICATIONS.
 - THE SURFACES CONFORM TO THE MOLEX COSMETIC SPEC PS-45499-002.
 ALL EXTERIOR SURFACES TO BE CLASS "B" SURFACE EXCEPT THE UNDERSIDE (CLASS "C") OF THE CAGE (SIDE TOWARD THE PCB) AND AS OTHERWISE NOTED.
 - DATE CODE LOCATION IS SHOWN ABOVE.
 DATE CODE FORMAT: DDDY MX A1
 DDD = DAY OF THE YEAR
 Y = YEAR
 MX = MOLEX
 A = ALPHA CHARACTER - INDICATES MANUFACTURING LINE
 1 = NUMERIC CHARACTER - INDICATES PRODUCTION SHIFT
 - REFER TO AS-76090-001 FOR HIGH SPEED ROUTING RECOMMENDATIONS.

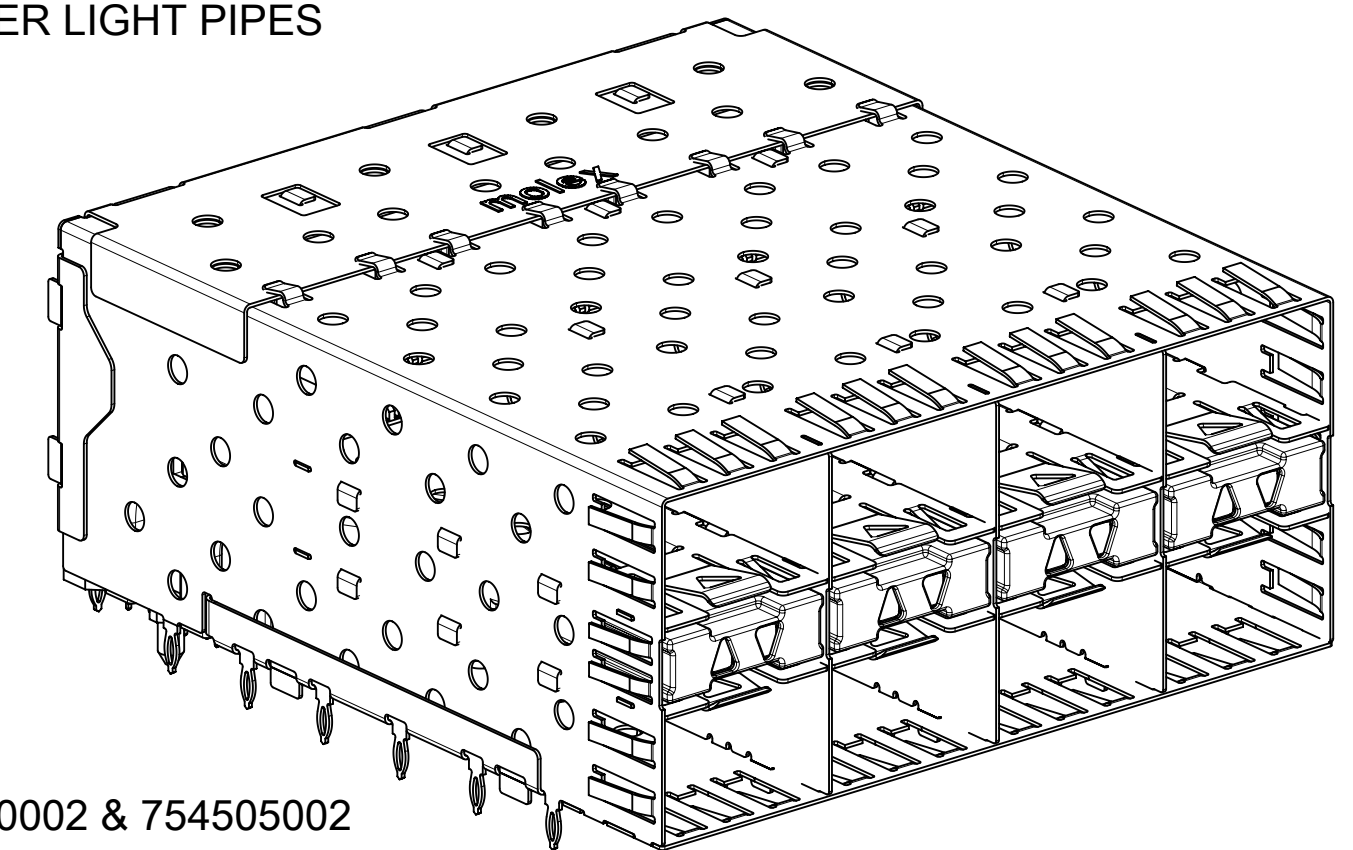
PART NUMBER	LIGHTPIPE CONFIGURATION (SEE VIEWS ON SHEET 2)	COMPLIANT TAIL PLATING	CAGE PLATING
754500001	ALL 4 PORTS	MATTE TIN-LEAD	NONE
754500002	INNER 2 PORTS	MATTE TIN-LEAD	NONE
754500003	OUTER 2 PORTS	MATTE TIN-LEAD	NONE
754501001	ALL 4 PORTS	MATTE TIN-LEAD	POST-PLATED
754505001	ALL 4 PORTS	MATTE TIN	NONE
754505002	INNER 2 PORTS	MATTE TIN	NONE
754505003	OUTER 2 PORTS	MATTE TIN	NONE
754505004	OUTER 2 PORTS - SPECIAL CONFIG	MATTE TIN	NONE

THIS DRAWING CONTAINS INFORMATION THAT IS PROPRIETARY TO MOLEX ELECTRONIC TECHNOLOGIES, LLC AND SHOULD NOT BE USED WITHOUT WRITTEN PERMISSION

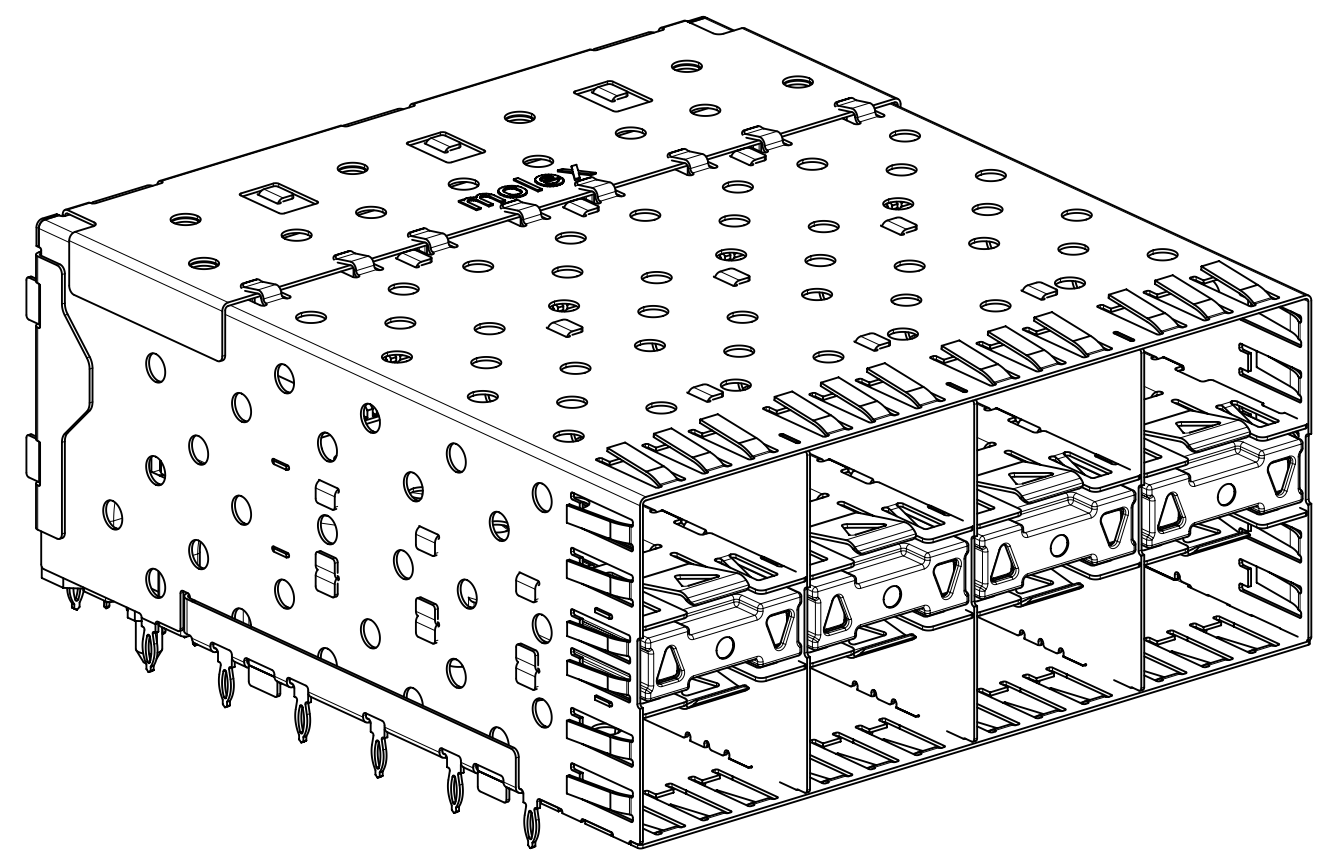
SYMBOLS	DIMENSION UNITS mm	SCALE 3:1	CURRENT REV DESC: UPDATED TO NEW PINS
▽ = 0	GENERAL TOLERANCES (UNLESS SPECIFIED)		EC NO: 600173 DRWN: RWHIPPLE 2018/05/10 CHK'D: SVANG01 2018/05/11 APPR: CHIRSCHY 2018/06/01
▽ = 0	ANGULAR TOL ± 5.0°		
▽ = 0	4 PLACES ±		INITIAL REVISION: DRWN: JLONG 2004/10/21 APPR: RNELSON 2004/10/28
▽ = 0	3 PLACES ±		
▽ = 0	2 PLACES ± 0.13		DOCUMENT NUMBER: SD-75450-001 DOC TYPE: PSD DOC PART: 001 REVISION: J
▽ = 0	1 PLACE ± 0.25		
▽ = 0	0 PLACES ±		MATERIAL NUMBER: SEE TABLE CUSTOMER: GENERAL MARKET SHEET NUMBER: 1 OF 5
▽ = 0	DRAFT WHERE APPLICABLE MUST REMAIN WITHIN DIMENSIONS		
▽ = 0	THIRD ANGLE PROJECTION	DRAWING: C-SIZE	SERIES: 75450



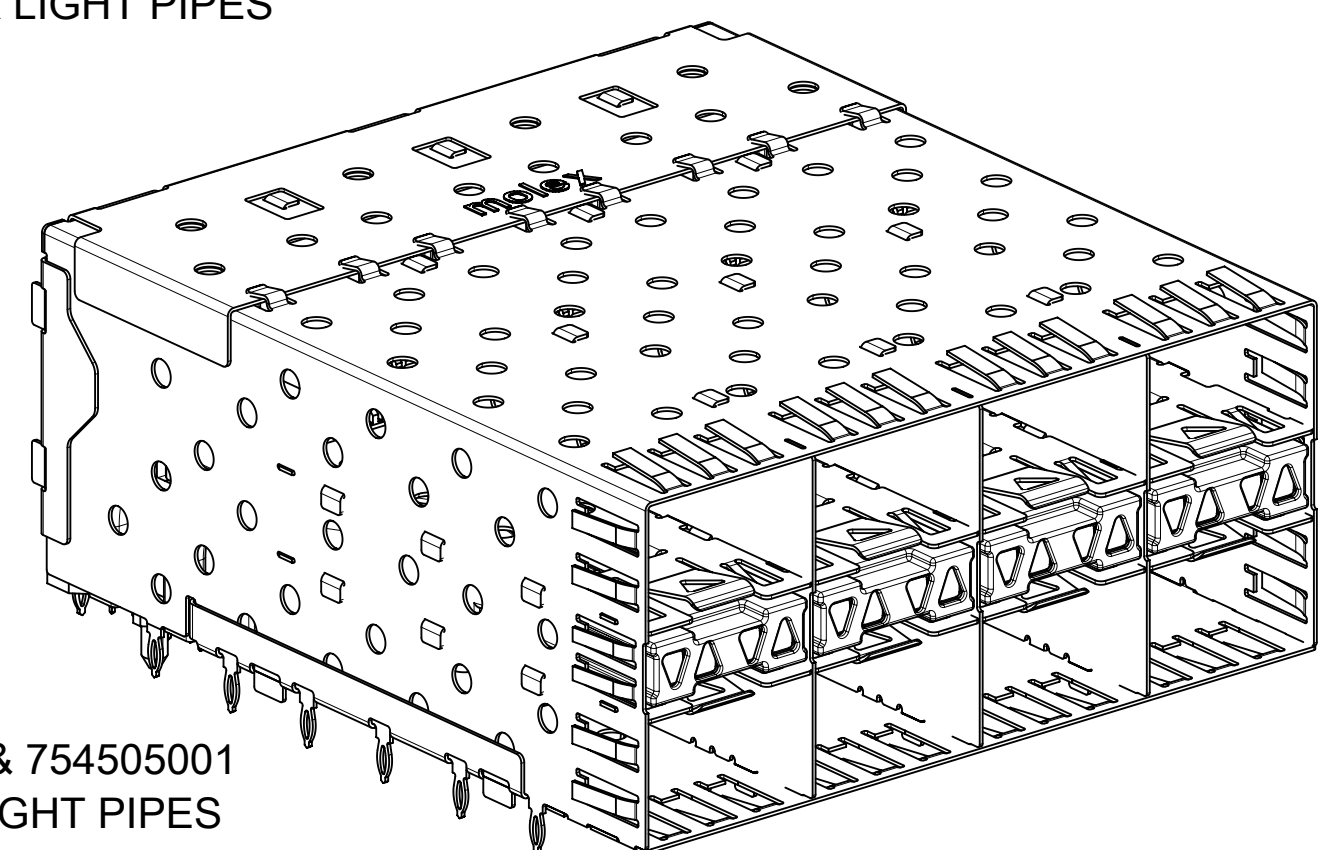
754500003 & 754505003
WITH OUTER LIGHT PIPES



754500002 & 754505002
WITH INNER LIGHT PIPES



754505004
WITH OUTER LIGHTPIPES



754500001, 754501001 & 754505001
WITH INNER/OUTER LIGHT PIPES

SYMBOLS	THIS DRAWING CONTAINS INFORMATION THAT IS PROPRIETARY TO MOLEX ELECTRONIC TECHNOLOGIES, LLC AND SHOULD NOT BE USED WITHOUT WRITTEN PERMISSION		
	DIMENSION UNITS	SCALE	CURRENT REV DESC: UPDATED TO NEW PINS
▽ = 0	mm	3:1	
▽ = 0	GENERAL TOLERANCES (UNLESS SPECIFIED)		
▽ = 0	ANGULAR TOL ± 5.0°		
▽ = 0	4 PLACES ±	EC NO: 600173	
▽ = 0	3 PLACES ±	DRWN: RWHIPPLE	2018/05/10
▽ = 0	2 PLACES ± 0.13	CHK'D: SVANG01	2018/05/11
▽ = 0	1 PLACE ± 0.25	APPR: CHIRSCHY	2018/06/01
□ = 0	0 PLACES ±	INITIAL REVISION:	
■ = 0	DRAFT WHERE APPLICABLE MUST REMAIN WITHIN DIMENSIONS		
▽ = 0	THIRD ANGLE PROJECTION	DRAWING	SERIES
		C-SIZE	75450
DOCUMENT STATUS		DOC TYPE	DOC PART
P1	RELEASE DATE	SD-75450-001	PSD 001
2018/06/01	05:38:28	CUSTOMER	J
		GENERAL MARKET	
		SEE TABLE	2 OF 5

molex

STACKED SFP 2X4 MEDIUM
HEIGHT ASSY, PRESS-FIT TAILS WITH LIGHT PIPES

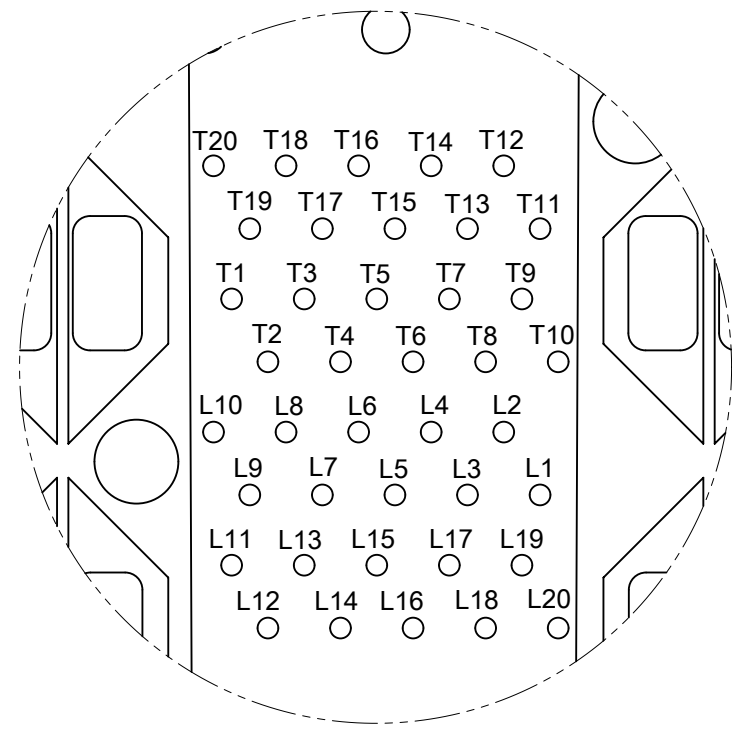
PRODUCT CUSTOMER DRAWING

DOCUMENT NUMBER DOC TYPE DOC PART REVISION

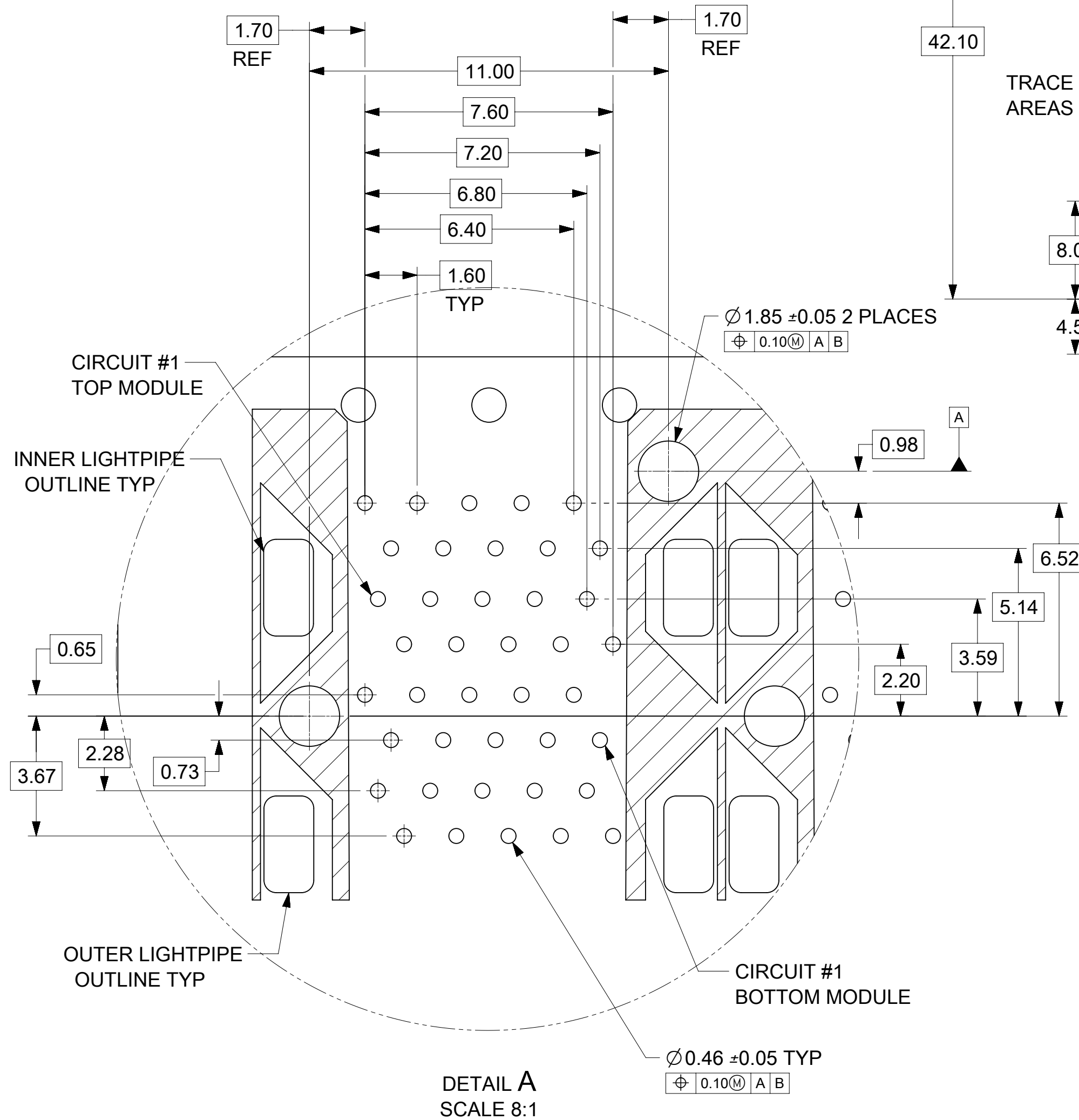
SD-75450-001 PSD 001 J

MATERIAL NUMBER CUSTOMER SHEET NUMBER

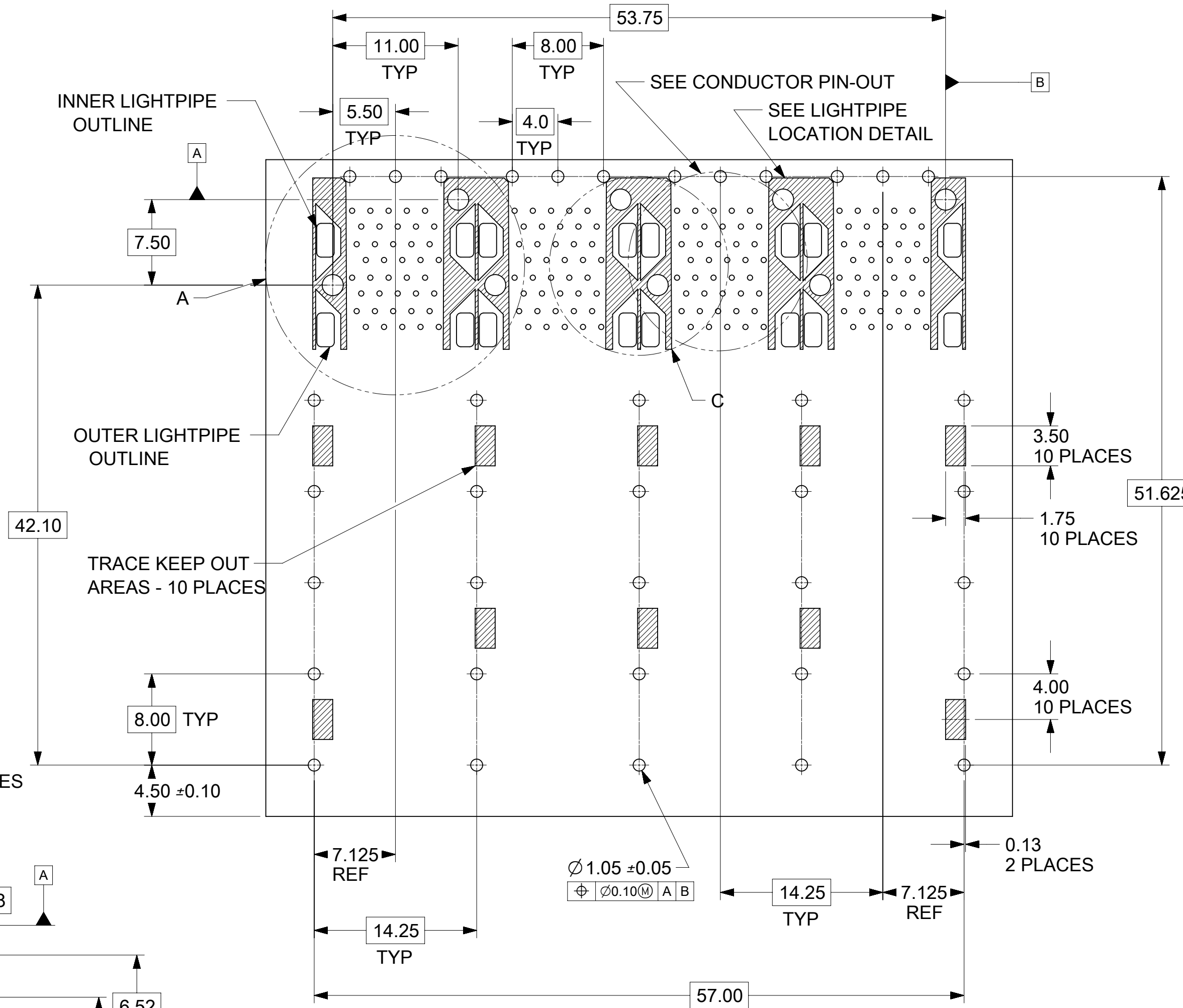
SEE TABLE GENERAL MARKET 2 OF 5



CONNECTOR PIN-OUT
SCALE 6:1



DETAIL A
SCALE 8:1



RECOMMENDED PCB LAYOUT - COMPONENT SIDE
RECOMMENDED PCB THICKNESS - 2.36 MM (.093 INCH)
THE ENTIRE AREA OF THE CONNECTOR FOOTPRINT
TO BE CONSIDERED THE KEEP OUT AREA FOR COMPONENTS
(OTHER THAN LIGHT PIPE LED'S).
THIS AREA IS INDICATED BY THE DASHED LINE

SYMBOLS										THIS DRAWING CONTAINS INFORMATION THAT IS PROPRIETARY TO MOLEX ELECTRONIC TECHNOLOGIES, LLC AND SHOULD NOT BE USED WITHOUT WRITTEN PERMISSION																			
DIMENSION UNITS					SCALE					CURRENT REV DESC: UPDATED TO NEW PINS																			
mm					3:1					EC NO: 600173																			
GENERAL TOLERANCES (UNLESS SPECIFIED)										DRWN: RWHIPPLE 2018/05/10																			
ANGULAR TOL ± 5.0°										CHK'D: SVANG01 2018/05/11																			
4 PLACES ±										APPR: CHIRSCHY 2018/06/01																			
3 PLACES ±										INITIAL REVISION:																			
2 PLACES ± 0.13										DRWN: JLONG 2004/10/21																			
1 PLACE ± 0.25										APPR: RNELSON 2004/10/28																			
0 PLACES ±										DRAFT WHERE APPLICABLE MUST REMAIN WITHIN DIMENSIONS																			
THIRD ANGLE PROJECTION					DRAWING					SERIES					MATERIAL NUMBER					CUSTOMER					SHEET NUMBER				
C-SIZE					75450					SEE TABLE					GENERAL MARKET					3 OF 5									

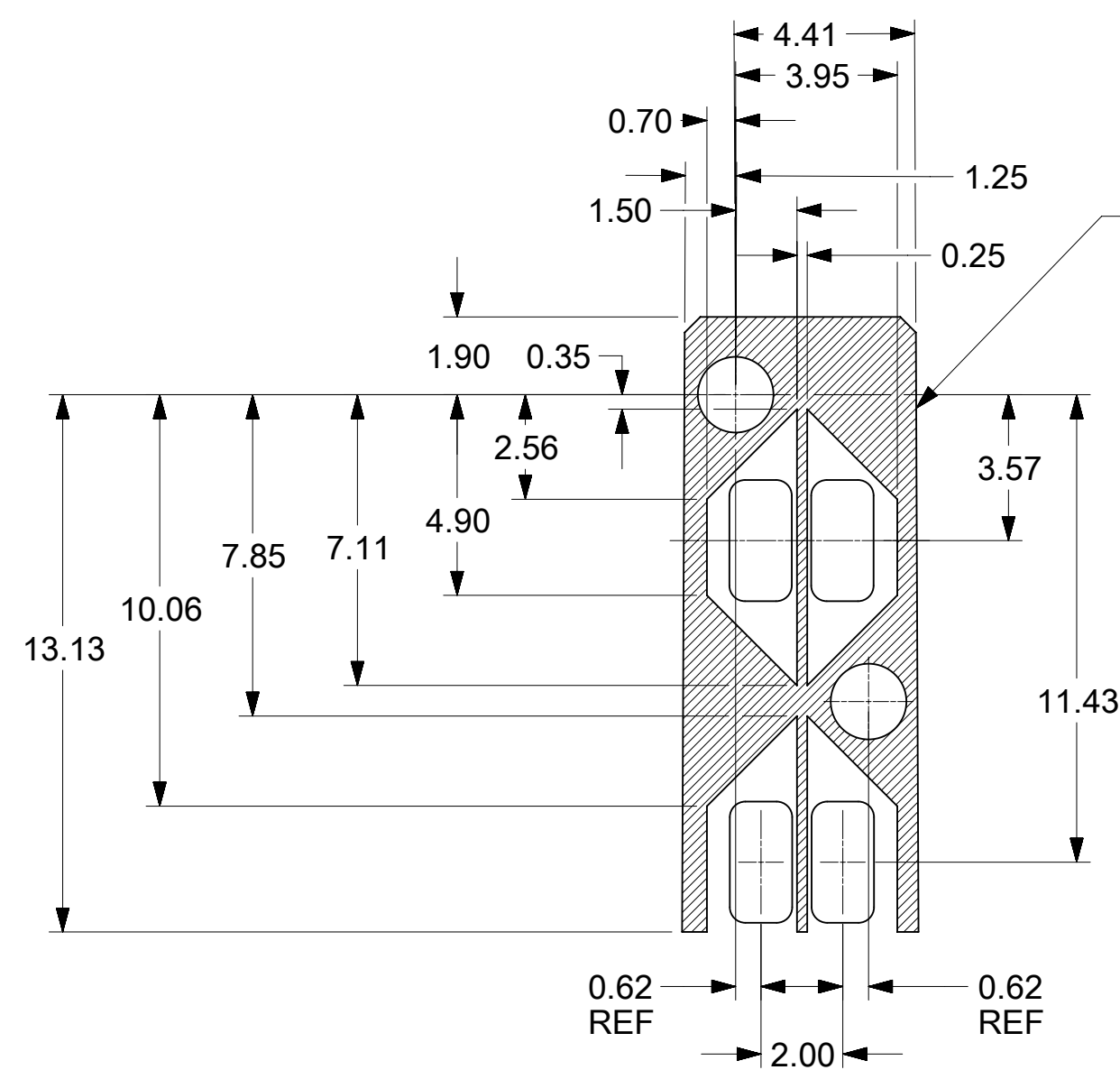
molex

STACKED SFP 2X4 MEDIUM
HEIGHT ASSY, PRESS-FIT TAILS WITH LIGHT PIPES

PRODUCT CUSTOMER DRAWING

DOCUMENT NUMBER DOC TYPE DOC PART REVISION

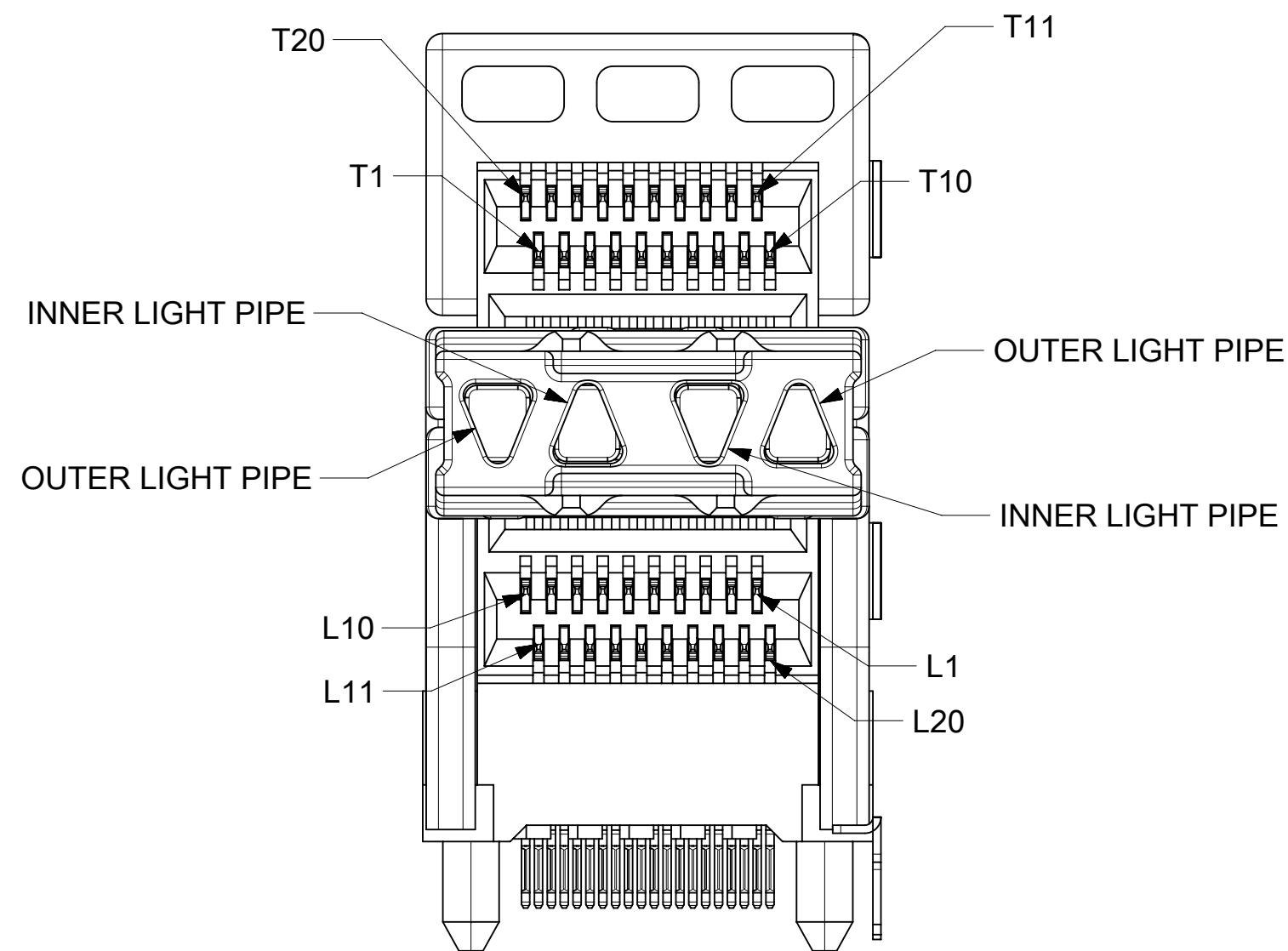
SD-75450-001 PSD 001 J



THE HATCHED AREA IN THIS VIEW INDICATES ZONES THAT ARE OCCUPIED BY THE PLASTIC HOUSING THAT SEATS AGAINST THE PCB AND BY THE VERTICAL METAL CAGE WALL THAT STOPS JUST SHORT OF THE PCB

LIGHT PIPE LOCATION AND OTHER ZONES

DETAIL C
SCALE 6:1



DETAIL B
SCALE 5:1
CIRCUIT NUMBERING
AND LIGHTPIPE
IDENTIFICATION

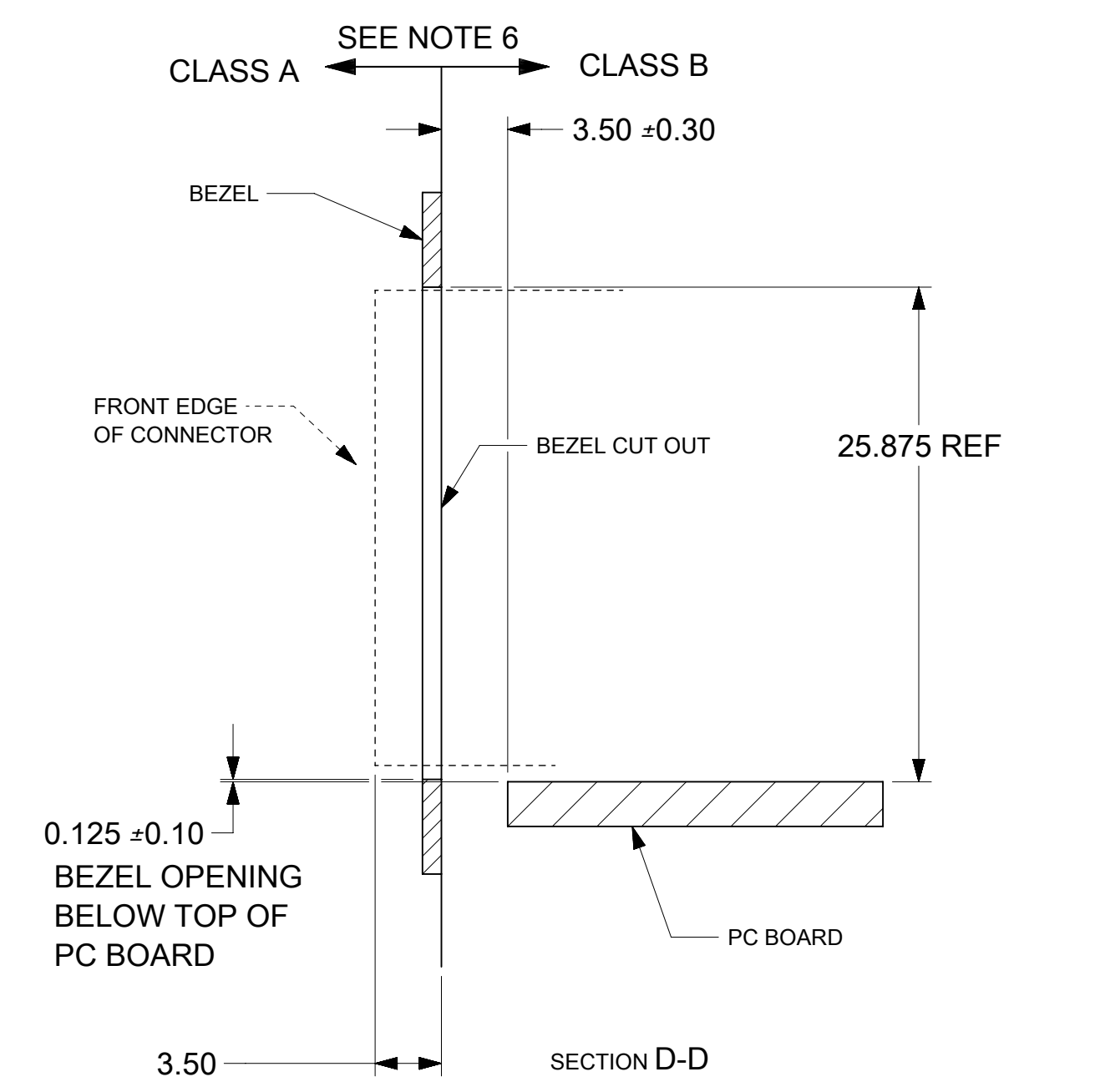
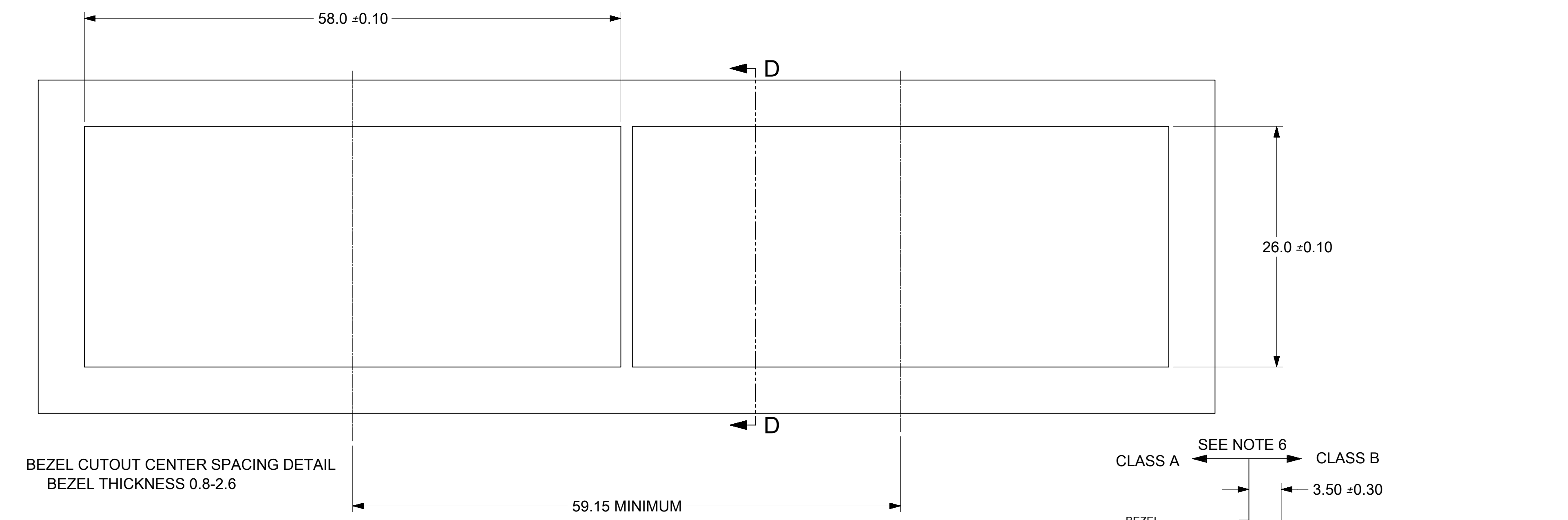
THIS DRAWING CONTAINS INFORMATION THAT IS PROPRIETARY TO MOLEX ELECTRONIC TECHNOLOGIES, LLC AND SHOULD NOT BE USED WITHOUT WRITTEN PERMISSION										
SYMBOLS		DIMENSION UNITS	SCALE	CURRENT REV DESC: UPDATED TO NEW PINS						
▽ = 0	mm	5:1	EC NO: 600173							
▽ = 0	GENERAL TOLERANCES (UNLESS SPECIFIED)		DRWN: RWHIPPLE 2018/05/10							
▽ = 0	ANGULAR TOL ± 5.0°		CHK'D: SVANG01 2018/05/11							
▽ = 0	4 PLACES ±		APPR: CHIRSCHY 2018/06/01							
▽ = 0	3 PLACES ±		INITIAL REVISION:							
▽ = 0	2 PLACES ± 0.13		DRWN: JLONG 2004/10/21							
▽ = 0	1 PLACE ± 0.25		APPR: RNELSON 2004/10/28							
▽ = 0	0 PLACES ±		DRAFT WHERE APPLICABLE MUST REMAIN WITHIN DIMENSIONS		THIRD ANGLE PROJECTION	DRAWING	SERIES	MATERIAL NUMBER	CUSTOMER	SHEET NUMBER
▽ = 0						C-SIZE	75450	SEE TABLE	GENERAL MARKET	4 OF 5

molex

STACKED SFP 2X4 MEDIUM HEIGHT ASSY, PRESS-FIT TAILS WITH LIGHT PIPES

PRODUCT CUSTOMER DRAWING

DOCUMENT NUMBER	DOC TYPE	DOC PART	REVISION
SD-75450-001	PSD	001	J



SYMBOLS										THIS DRAWING CONTAINS INFORMATION THAT IS PROPRIETARY TO MOLEX ELECTRONIC TECHNOLOGIES, LLC AND SHOULD NOT BE USED WITHOUT WRITTEN PERMISSION									
DIMENSION UNITS		SCALE		CURRENT REV DESC: UPDATED TO NEW PINS															
mm		3:1																	
GENERAL TOLERANCES (UNLESS SPECIFIED)		EC NO: 600173										STACKED SFP 2X4 MEDIUM HEIGHT ASSY, PRESS-FIT TAILS WITH LIGHT PIPES							
ANGULAR TOL ± 5.0°		DRWN: RWHIPPLE 2018/05/10																	
4 PLACES ±		CHK'D: SVANG01 2018/05/11										PRODUCT CUSTOMER DRAWING							
3 PLACES ±		APPR: CHIRSCHY 2018/06/01																	
2 PLACES ± 0.13		INITIAL REVISION:										DOCUMENT NUMBER		DOC TYPE		DOC PART		REVISION	
1 PLACE ± 0.25		DRWN: JLONG 2004/10/21										SD-75450-001		PSD		001		J	
0 PLACES ±		APPR: RNELSON 2004/10/28										MATERIAL NUMBER		CUSTOMER		SHEET NUMBER			
DRAFT WHERE APPLICABLE MUST REMAIN WITHIN DIMENSIONS		THIRD ANGLE PROJECTION		DRAWING		SERIES		MATERIAL NUMBER		CUSTOMER		SHEET NUMBER							
				C-SIZE		75450		SEE TABLE		GENERAL MARKET		5 OF 5							

DOCUMENT STATUS	P1	RELEASE DATE	2018/06/01	05:38:28
-----------------	----	--------------	------------	----------