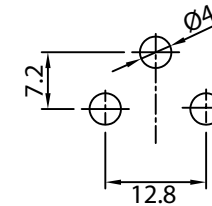
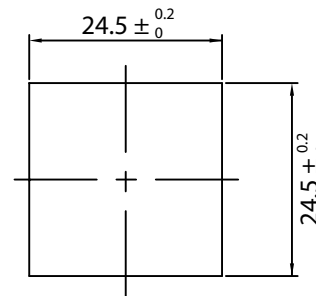
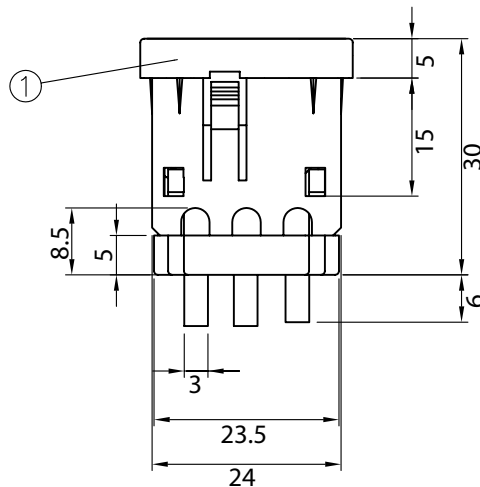
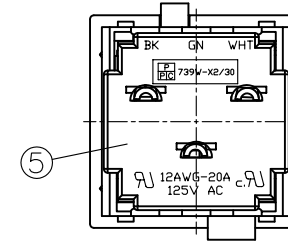
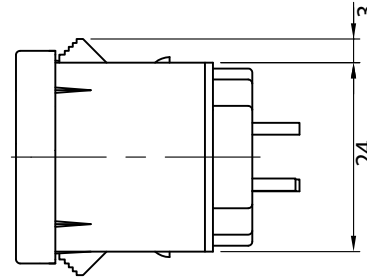
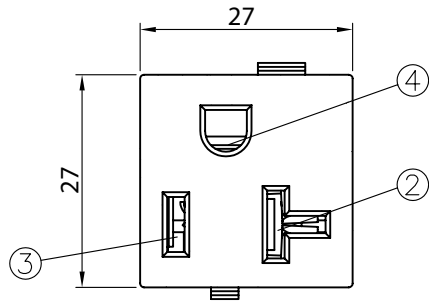


THESE DRAWINGS ARE THE PROPERTY OF QUALTEK ELECTRONICS AND NOT TO BE REPRODUCED FOR OR COMMUNICATED TO A THIRD PARTY WITHOUT THE EXPRESS WRITTEN PERMISSION OF AN OFFICER OF QUALTEK ELECTRONICS.

| Revision |             |      |          |
|----------|-------------|------|----------|
| Rev.     | Description | Date | Approved |
|          |             |      |          |
|          |             |      |          |



**CONTROLLED**

NOTE:

RATING: 20A 125V AC  
 RECOMMENDED TO USE SOLID WIRE ONLY  
 PANEL THICKNESS: 0.8~1.8mm  
 APPROVALS: UL, cUL  
 RoHS COMPLIANT

|   |  |   |
|---|--|---|
| 5 | Cover back of the body, NYLON Black Color  | 1 |
| 4 | Contact PIN Brass Strip t=0.7mm Tin Plated | 1 |
| 3 | Contact PIN Brass Strip t=0.7mm Tin Plated | 1 |
| 2 | Contact PIN Brass Strip t=0.7mm Tin Plated | 1 |
| 1 | Body Insulator NYLON Black Color           | 1 |

| Dim range (mm) | Tolerance +/- (mm) | Qualtek Electronics Corp.<br>PPC DIVISION  |                |                 |
|----------------|--------------------|--|----------------|-----------------|
| 0-1            | 0.15               | Part Number: 739W-X2/30 <span style="border: 1px solid green; padding: 2px;">RoHS Compliant</span> |                |                 |
| 1-6            | 0.20               | Description:<br>SNAP-IN 20 AMP T-SLOT RECEPTACLE   |                |                 |
| 6-18           | 0.30               | UNIT: mm   |                |                 |
| 18-50          | 0.50               | Drawn / Date   | Checked / Date | Approved / Date |
| 50-120         | 0.70               | D.Povozhaev<br>05-14-07  | 05-14-07       | JJH / 05-14-07  |
| 120-250        | 0.90               |  |                |                 |
| 250-500        | 1.20               |  |                |                 |

# Mouser Electronics

Authorized Distributor

Click to View Pricing, Inventory, Delivery & Lifecycle Information:

Qualtek:

[739W-X2/30](#) [739W-X2/XX3](#)