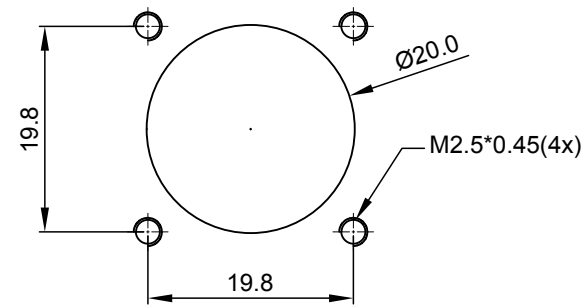
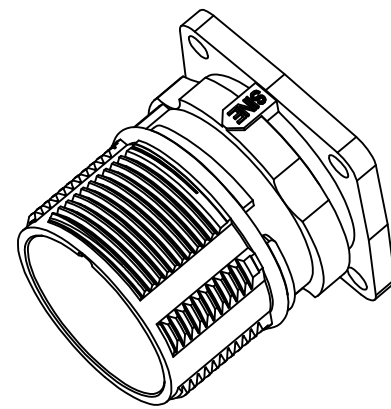
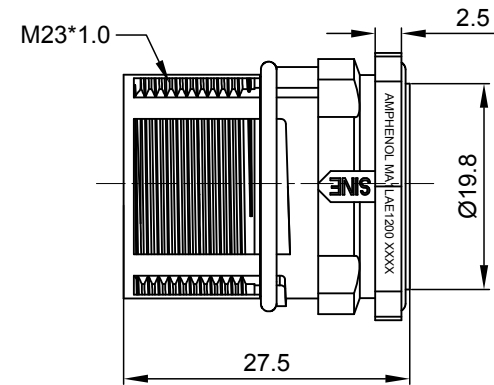
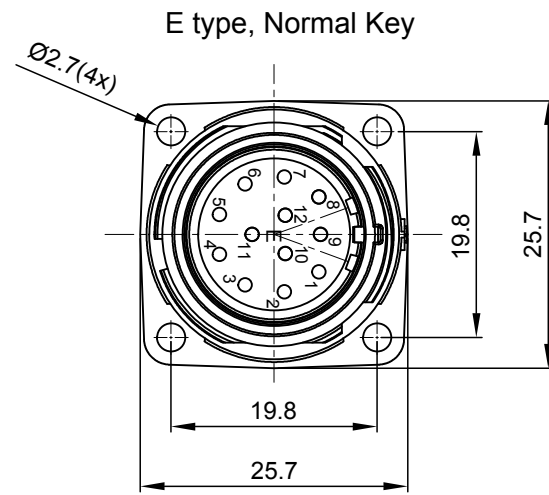


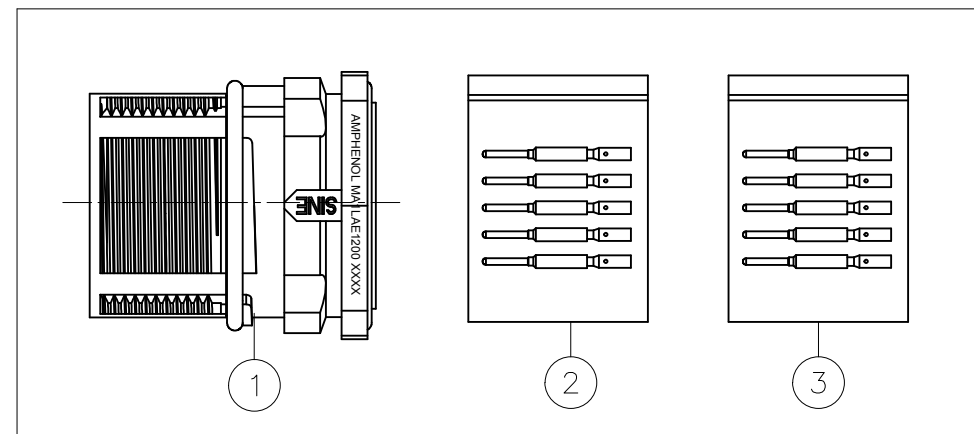
REVISIONS					
REV	ECO	DESCRIPTION	DATE	BY	APPR
A1	-	FIRST RELEASE	APR.13,2016	Drack	Tommy
A2	-	UPDATE DRAWING	Oct.30,2017	White	Tommy



NOTES: UNLESS OTHERWISE SPECIFIED

- MATERIAL:
 - INSULATION INSERT: PA66,UL94 V0
 - SEAL: VITON
 - HOUSING BODY: ZINC DIE CAST, NICKEL PLATED
 - CONTACT: COPPER ALLOY, GOLD PLATED
- SPECIFICATIONS:
 - 2.1 CURRENT RATING: 10 AMPS
 - 2.2 VOLTAGE RATING: 160 V AC/DC
 - 2.3 CONTACT RESISTANCE: <5 mOHMS
 - 2.4 OPERATING TEMPERATURE: -20°C TO +130°C
 - 2.5 DIELECTRIC WITHSTANDING VOLTAGE: LESS THAN 2 MILLIAMPS CURRENT LEAKAGE @ 2500 VOLTS AC.
 - 2.6 DEGREE OF PROTECTION: IP67 (MATED CONDITION)
 - 2.7 DEGREE OF POLLUTION: 3 PER UL840
 - 2.8 OVERVOLTAGE CATEGORY: III PER UL840
 - 2.9 MATING CYCLE DURABILITY: >500 CYCLES
 - 2.10 RoHS COMPLIANT

3. ALL DIMENSIONS ARE FOR REFERENCE USE ONLY.



QUANTITY	PART NUMBER	DESCRIPTION	ITEM
12	SC000146	CONTACT, PIN, Ø1.0mm ,Crimp 28~24AWG	3
12	SC000035	CONTACT, PIN, Ø1.0mm, Crimp 22~18AWG	2
1	MA1LAE1200	CONNECTOR	1

MATERIALS LIST									
SIGNATURES		DATE							
DRAWN: White		Oct.30,2017							
CHECKED: Tod		Oct.30,2017							
ENGINEER:									
APPROVAL: Tommy		Oct.30,2017							
CUSTOMER:									
<p>UNLESS OTHERWISE SPECIFIED</p> <p>1) All dimensions are in metric(mm).</p> <p>2) Tolerances are as follows:</p> <table border="0"> <tr> <td>1 PL DEC ±0.30</td> <td>Fractions ±1/64</td> </tr> <tr> <td>2 PL DEC ±0.15</td> <td>Angles ±1°</td> </tr> <tr> <td>3 PL DEC ±0.08</td> <td></td> </tr> </table> <p>3) Note reference = \triangle X</p>				1 PL DEC ±0.30	Fractions ±1/64	2 PL DEC ±0.15	Angles ±1°	3 PL DEC ±0.08	
1 PL DEC ±0.30	Fractions ±1/64								
2 PL DEC ±0.15	Angles ±1°								
3 PL DEC ±0.08									
MATERIAL SPECIFICATIONS:									
PROCESS SPECIFICATIONS:									
NEXT ASSY:									
<p>Amphenol</p> <p>Sine Systems - www.amphenol-sine.com 44724 Morley Drive Clinton Township, MI 48036</p>									
<p>KIT, M23A, RECEPTACLE, 12POS, E TYPE FLANGE MOUNT, PIN CONTACT</p>									
SIZE	TYPE	DWG NO:	REVISION						
B	C-	MA1LAE1200-KIT	A2						
SCALE: NONE		SHEET 1 OF 1							

TITLE: KIT,M23A,RECEPTACLE,12POS,E TYPE,FLANGE MOUNT,PIN CONTACT
DWG NO: MA1LAE1200-KIT
REV: A2
SH: 1
OF: 1