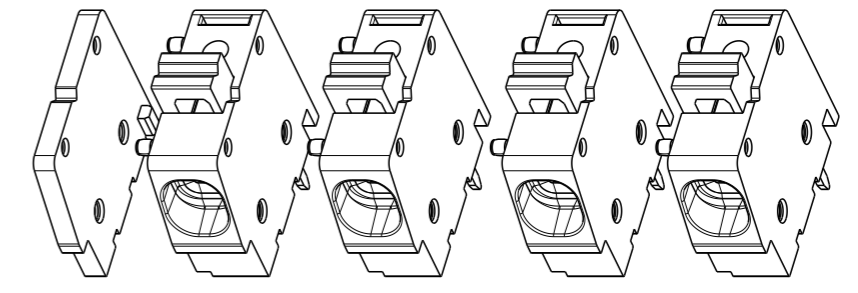
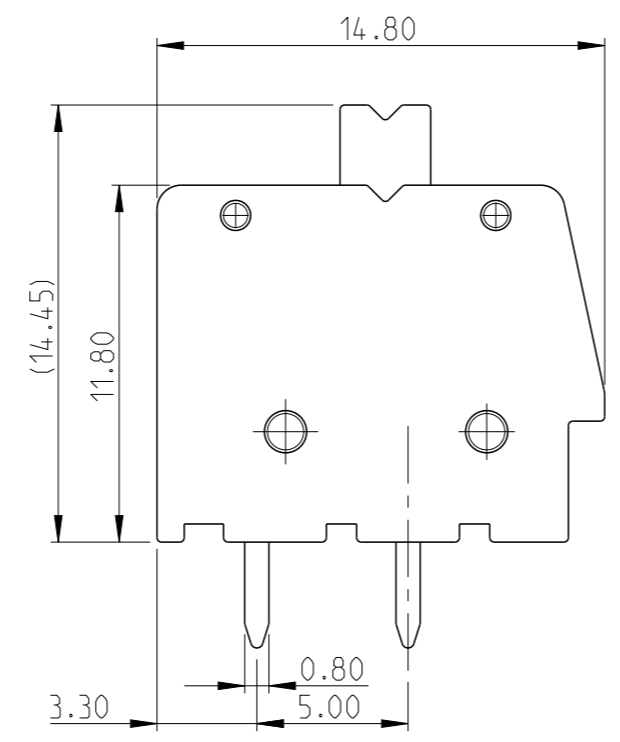
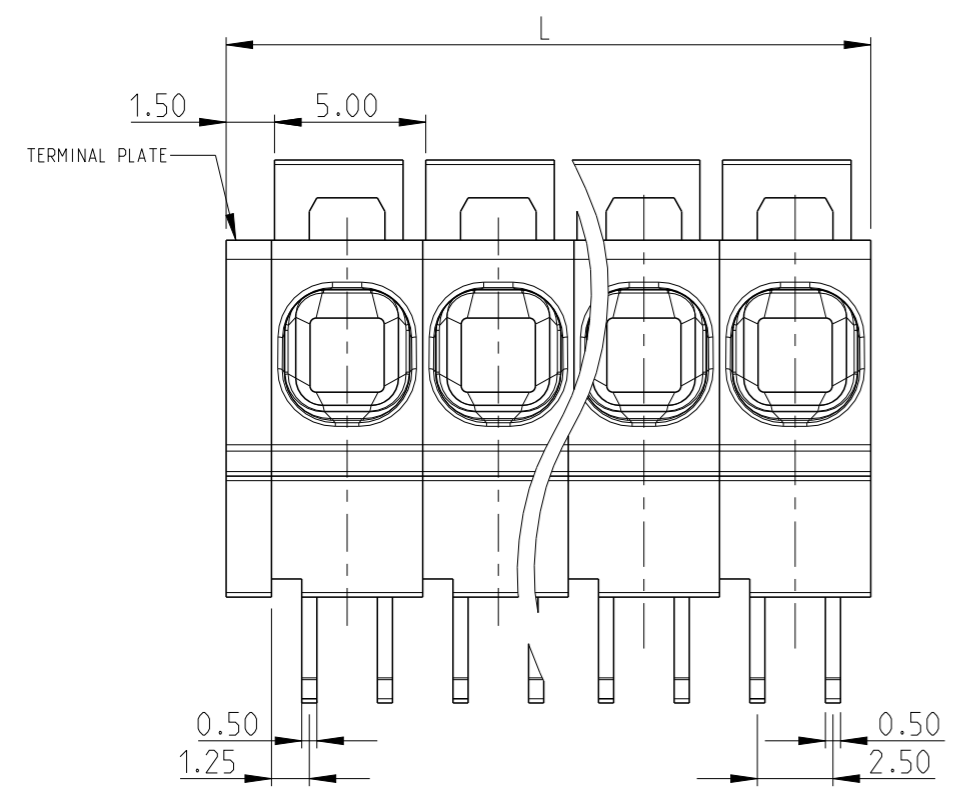


THIS DRAWING IS UNPUBLISHED. RELEASED FOR PUBLICATION 2011
 © COPYRIGHT 2011 ALL RIGHTS RESERVED.

LOC	DIST	REVISIONS				
P	LTR	DESCRIPTION	DATE	DWN	APVD	
FT	0	B1	HOUSNG MATERIAL DETAIL ADDED	05DEC2014	PS	JK



SCALE 2:1
 -4 AS SHOWN

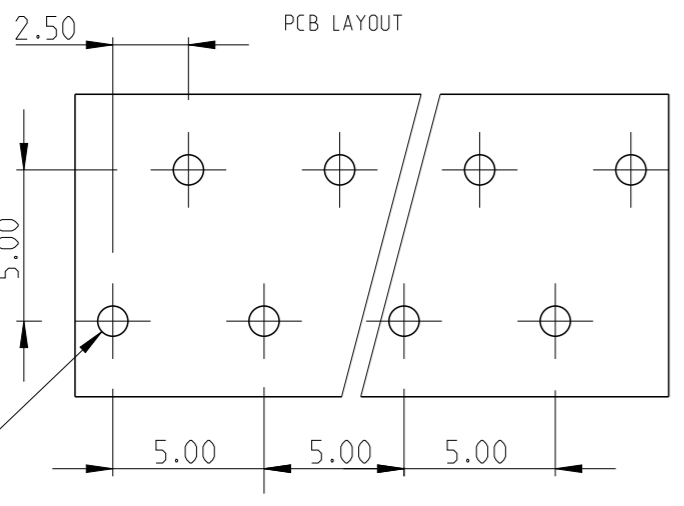
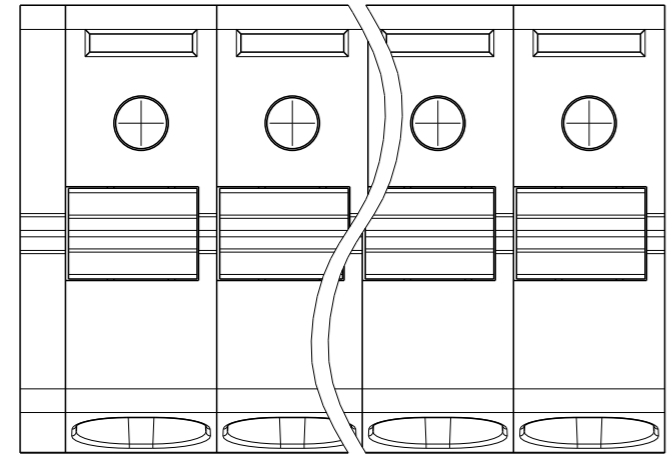
1 SEE FIG	POLE	PART NO
46.50	9	2-1986711-6
126.50	25	2-1986711-5
121.50	24	2-1986711-4
116.50	23	2-1986711-3
111.50	22	2-1986711-2
106.50	21	2-1986711-1
101.50	20	2-1986711-0
96.50	19	1-1986711-9
91.50	18	1-1986711-8
86.50	17	1-1986711-7
81.50	16	1-1986711-6
76.50	15	1-1986711-5
71.50	14	1-1986711-4
66.50	13	1-1986711-3
61.50	12	1-1986711-2
56.50	11	1-1986711-1
51.50	10	1-1986711-0
46.50	9	1986711-9
41.50	8	1986711-8
36.50	7	1986711-7
31.50	6	1986711-6
26.50	5	1986711-5
21.50	4	1986711-4
16.50	3	1986711-3
11.50	2	1986711-2
"L"	POLE	PART NO

PRELIMINARY PART

MATERIALS:
 HOUSING - PA66-UL94 V0, COLOR - GREEN
 CLAMPING SPRING - STEEL
 PIN - COPPER ALLOY - TIN PLATED

MECHANICAL
 PCB THICKNESS - 2.40 MAX
 PCB HOLE DIAMETER - 1.20 MIN
 STRIP LENGTH - 10-11 MM
 OPERATING TEMPERATURE - -40 °C TO +110 °C

ELECTRICAL
 WIRE RANGE- 30 TO 12 AWG
 VOLTAGE RATING- 300 VOLTS
 CURRENT RATING-16 AMP
 CONTACT RESISTANCE-15 MILLOHM MAX
 INSULATION RESISTANCE-10⁹ OHMS MIN (500V DC)



THIS DRAWING IS A CONTROLLED DOCUMENT.		DWN 08AUG2011 RAGHAVENDRA	TE Connectivity	
DIMENSIONS: mm		CHK 08AUG2011 SARVER MICHAEL		
TOLERANCES UNLESS OTHERWISE SPECIFIED:		APVD 08AUG2011 SARVER MICHAEL	NAME	
0 PLC ±0.5 1 PLC ±0.25 2 PLC ±0.25 3 PLC ±0.25 4 PLC ±0.25 ANGLES ±1° FINISH SEE NOTES		PRODUCT SPEC	SPRING TYPE, SIDE WIRE ENTRY TERMINAL BLOCK SIDE STACKABLE STRAIGHT 02 - 25 POLES PITCH 5.00mm	
MATERIAL SEE NOTES		APPLICATION SPEC	SIZE A3	CAGE CODE 00779
		WEIGHT -	DRAWING NO C-1986711	RESTRICTED TO -
		CUSTOMER DRAWING	SCALE 4:1	SHEET 1 OF 2
				REV B1

THIS DRAWING IS UNPUBLISHED.

RELEASED FOR PUBLICATION

2011

© COPYRIGHT 2011

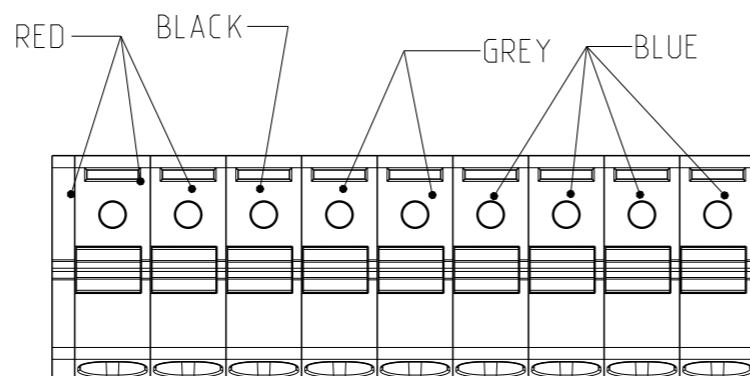
ALL RIGHTS RESERVED.

LOC
FT

DIST
0

REVISIONS

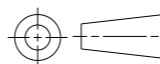
P	LTR	DESCRIPTION	DATE	DWN	APVD
-	-	SEE SHEET 1	-	-	-



2-1986711-6

THIS DRAWING IS A CONTROLLED DOCUMENT.

DIMENSIONS:
mm



TOLERANCES UNLESS OTHERWISE SPECIFIED:

0 PLC	±
1 PLC	±0.5
2 PLC	±0.25
3 PLC	±
4 PLC	±
ANGLES	±1°

MATERIAL

-

FINISH

-

DWN 08AUG2011

RAGHAVENDRA

CHK 08AUG2011

SARVER MICHAEL

APVD 08AUG2011

SARVER MICHAEL

PRODUCT SPEC

-

APPLICATION SPEC

-

WEIGHT

-

CUSTOMER DRAWING



TE Connectivity

NAME
 SPRING TYPE, SIDE WIRE ENTRY
 TERMINAL BLOCK SIDE STACKABLE
 STRAIGHT 02 - 25 POLES PITCH 5.00mm

SIZE CAGE CODE DRAWING NO RESTRICTED TO

A3 00779 C-1986711

SCALE 4:1 SHEET 2 OF 2 REV B1