

4

3

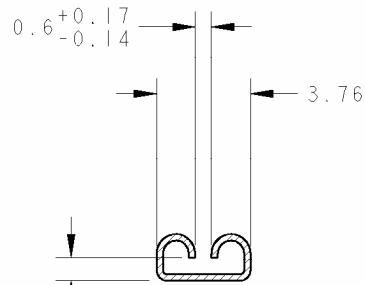
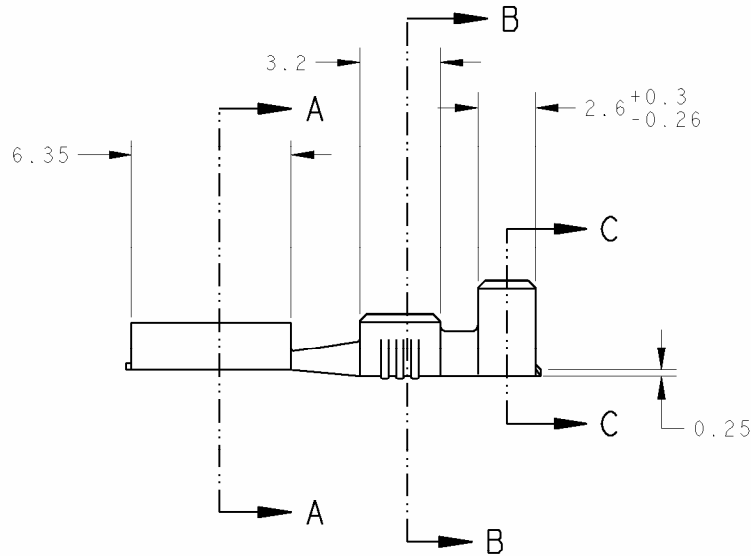
2

1

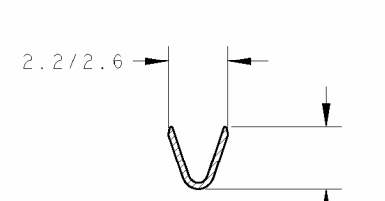
RELEASED FOR PUBLICATION  
LIBRE A LA DIFFUSION 20  
ALL RIGHTS RESERVED.  
TOUS DROITS RESERVES

© COPYRIGHT BY

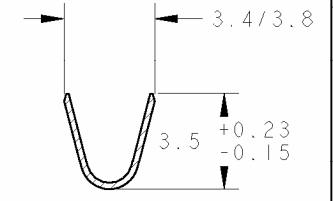
LOC		DIST		REVISIONS			
P	LTR REV	DESCRIPTION MODIFICATIONS	DATE	DWN DESS.	APVD APP.		
	S3	REVISED PER ECR-14-014088	17NOV2014	NK	DC		



Entre fer pour languette 2.8 x 0.5  
(Gap for tab 2.8 x 0.5 series)  
COUPE A-A

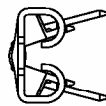
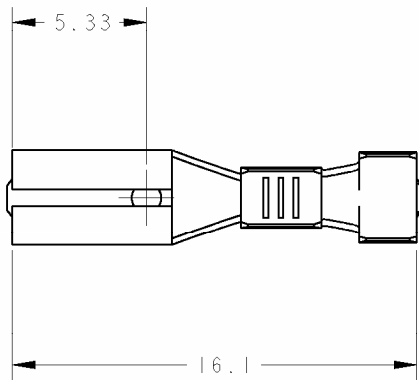


COUPE B-B



COUPE C-C

1 CONTINUOUS STRIP ON REEL: FEED 17.9±0.1  
⚠ OBSOLETE.



⚠	1.5 2.5	0.3 1	0.5	DORE	LAITON	<del>141286-3</del>	<del>140719-3</del>	<del>140717-4</del>
⚠	1.5 2.5	0.3 1	0.5	ARGENTE	LAITON	-	140719-4	140717-3
	1.5 2.5	0.3 1	0.5	PRE-ETAME	LAITON	141286-2	140719-2	140717-2
	1.5 2.5	0.3 1	0.5	BRUT	LAITON	<del>141286-1</del>	<del>140719-1</del>	140717-1
	DIA. ISOLANT	SECTION mm <sup>2</sup>	Ep. TAB	FINITION	MATIERE	REFERENCE VRAC PREFORME	REFERENCE VRAC	REFERENCE

DIMENSIONS: mm		TOLERANCES UNLESS OTHERWISE SPECIFIED: TOLERANCES NON SPECIFIEES (SUIV NR. DE DECIMALES): 0 PLC /DEC: ± 1 PLC /DEC: ± 2 PLC /DEC: ±0.13 3 PLC /DEC: ± 4 PLC /DEC: ± ANGLES: ±		DWN/DESSINE 27MAR2001 C. COMBEDOUZON CHK/VERIFIE 02APR2001 V. FONDREVELLE APVD/APPROUVE 02APR2001 G. ROBERT		<b>TE Connectivity</b>	
MATERIAL/MATIERE v. table		FINISH/FINITION v. table		APPLICATION SPEC SPEC. APPLICATION 114-35000		NAME TITRE 110 SERIES FASTON RECEPTACLE	
WEIGHT MASSE APPROX. -		SIZE FORMAT A3		CAGE CODE 00779		DRAWING NO No PLAN C-140717	
CUSTOMER DRAWING /PLAN CLIENT		UNIQUEMENT POUR REFERENCE		SCALE ECHELLE 5:1		SHEET FEUILLE OF DE REV S3	

D

C

B

A

# Mouser Electronics

Authorized Distributor

Click to View Pricing, Inventory, Delivery & Lifecycle Information:

[TE Connectivity:](#)

[140717-2](#)